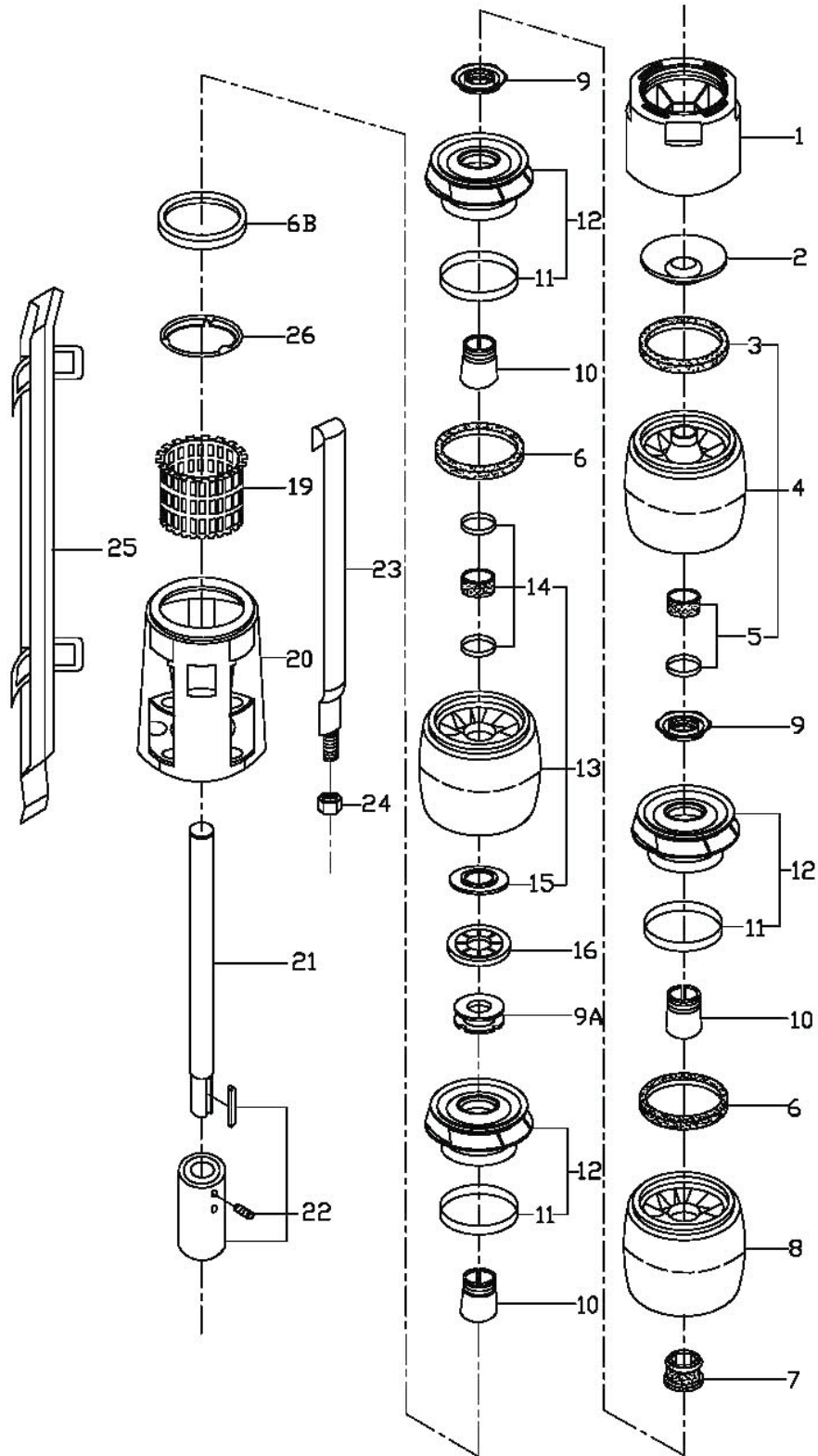




**SUBMERSIBLE AND TURBINE PUMPS**

**SC50**



**SUBMERSIBLE AND TURBINE PUMPS**

# SC50

ILLUS. NO.	NO. PER UNIT	SC50 PART NO.	SCN50 PART NO.	DESCRIPTION
01	1	SC3001	SCN3001	Discharge
02	1	SC5002	SCN5002	Valve Cone
03	1	SC5003	SCN5003	Valve Seat
04	1	SC5004	SCN5004	Top Diffuser
05	1	SC3005	SCN3005	Upper Bearing
06	As Reqd.	SC5006	SCN5006	Neck Ring
06B	1	SC5006B	SCN5006B	Bottom Neck Ring
07	As Reqd.	SC3007	SCN3007	Bearing
08	As Reqd.	SC5008	SCN5008	Diffuser
09	As Reqd.	SC3009	SCN3009	Split Cone Nut
09A	1	SC5009A	SCN5009A	Nut for Stop Ring
10	As Reqd.	SC3010	SCN3010	Split Cone
11	As Reqd.	SC3011	SCN3011	Ring of Impeller
12	As Reqd.	SC5012	SCN5012	Impeller
13	1	SC5013	SCN5013	Bottom Diffuser
14	1	SC3014	SCN3014	Lower Bearing
15	1	SC3015	SCN3015	Stop Ring
16	1	SC5016	SCN5016	Spacing Washer for the stop ring
19	1	SC3019	SCN3019	Strainer
20	1	SC3020	SCN3020	Suction Interconnector
21	1	SEE SHAFT SELECTION CHART		Shaft
22	1	SC3022	SCN3022	Coupling
23	4	SEE STRAP SELECTION CHART		Strap
24	4	SC3024	SCN3024	Nut
25	1	SEE CABLE GUARD SELECTION CHART		Cable Guard
26	1	SC5026	SCN5026	Strainer Cap



**SUBMERSIBLE AND TURBINE PUMPS**

**SC50**

**SHAFT SELECTION CHART**

MODEL	SC PART NO.	SCN PART NO.
SC50-02	SC502102	SCN502102
SC50-03	SC502103	SCN502103
SC50-04	SC502104	SCN502104
SC50-05	SC502105	SCN502105
SC50-07	SC502107	SCN502107
SC50-08	SC502108	SCN502108
SC50-09	SC502109	SCN502109
SC50-10	SC502110	SCN502110
SC50-12	SC502112	SCN502112
SC50-14	SC502114	SCN502114
SC50-15	SC502115	SCN502115
SC50-17	SC502117	SCN502117
SC50-19	SC502119	SCN502119
SC50-22	SC502122	SCN502122
SC50-24	SC502124	SCN502124

**STRAP SELECTION CHART**

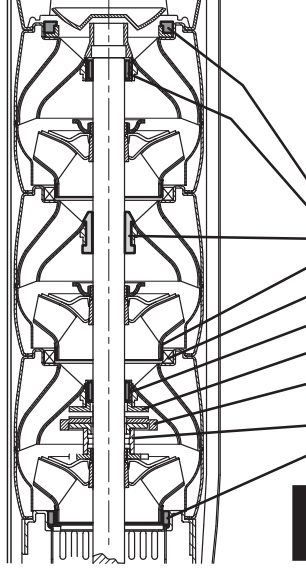
MODEL	SC PART NO.	SCN PART NO.
SC50-02	SC502302	SCN502302
SC50-03	SC502303	SCN502303
SC50-04	SC502304	SCN502304
SC50-05	SC502305	SCN502305
SC50-07	SC502307	SCN502307
SC50-08	SC502308	SCN502308
SC50-09	SC502309	SCN502309
SC50-10	SC502310	SCN502310
SC50-12	SC502312	SCN502312
SC50-14	SC502314	SCN502314
SC50-15	SC502315	SCN502315
SC50-17	SC502317	SCN502317
SC50-19	SC502319	SCN502319
SC50-22	SC502322	SCN502322
SC50-24	SC502324	SCN502324

**CABLE GUARD SELECTION CHART**

MODEL	SC PART NO.	SCN PART NO.
SC50-02	SC502502	SCN502502
SC50-03	SC502503	SCN502503
SC50-04	SC502504	SCN502504
SC50-05	SC502505	SCN502505
SC50-07	SC502507	SCN502507
SC50-08	SC502508	SCN502508
SC50-09	SC502509	SCN502509
SC50-10	SC502510	SCN502510
SC50-12	SC502512	SCN502512
SC50-14	SC502514	SCN502514
SC50-15	SC502515	SCN502515
SC50-17	SC502517	SCN502517
SC50-19	SC502519	SCN502519
SC50-22	SC502522	SCN502522
SC50-24	SC502524	SCN502524

**SUBMERSIBLE AND TURBINE PUMPS**

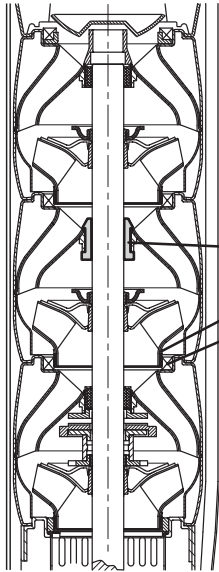
**SC50/65**



**Southern Cross**  
"SC" Submersible Pump Service Kit

Part No.	Description	Quantity Enclosed
3	Valve Seat	1
5	Upper Bearing	1
7	Bearing	3
11	Impeller Ring	5
6	Neck Ring	4
14	Lower Bearing	1
15	Stop Ring	1
16	Spacing Washer for Stop Ring	1
9a	Nut for Stop Ring	1
6b	Bottom Neck Ring	1

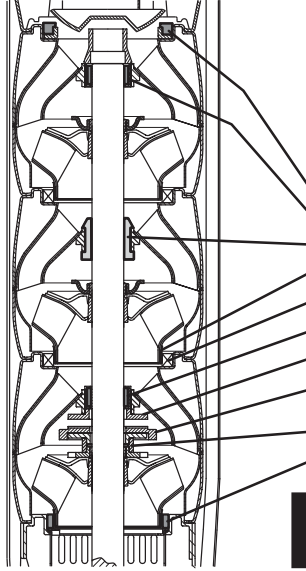
**SC50-Kit 1**  
Code: SC50K1



**Southern Cross**  
"SC" Submersible Pump Service Kit

Part No.	Description	Quantity Enclosed
7	Bearing	5
11	Impeller Ring	5
6	Neck Ring	5

**SC50/65-Kit 2**  
Code: SC50K2



**Southern Cross**  
"SC" Submersible Pump Service Kit

Part No.	Description	Quantity Enclosed
3	Valve Seat	1
5	Upper Bearing	1
7	Bearing	3
11	Impeller Ring	5
6	Neck Ring	4
14	Lower Bearing	1
15	Stop Ring	1
16	Spacing Washer for Stop Ring	1
9a	Nut for Stop Ring	1
6b	Bottom Neck Ring	1

**SC65-Kit 1**  
Code: SC65K1