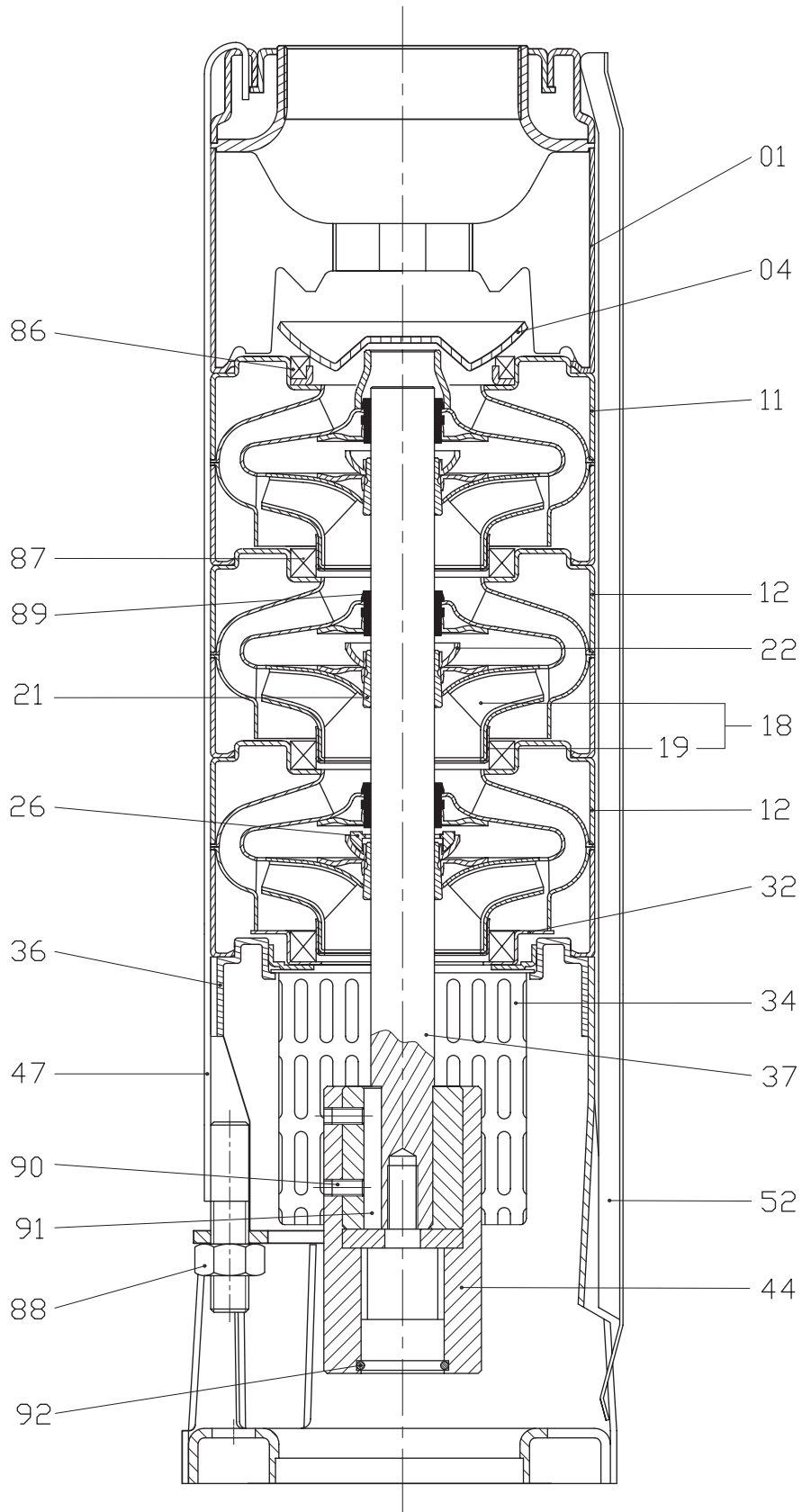




**SUBMERSIBLE AND TURBINE PUMPS**

**SC18**





**SUBMERSIBLE AND TURBINE PUMPS**

**SC18**

ILLUS. NO.	NO. PER UNIT	SC18 PART NO.	SCN18 PART NO.	DESCRIPTION
01	1	SC1801	SCN1801	Discharge
04	1	SC1804	SCN1804	Valve Cone
11	1	SC1811	SCN1811	Top Diffuser
12	As Reqd.	SC1812	SCN1812	Diffuser
18	As Reqd.	SC1818	SCN1818	Impeller
19	As Reqd.	SC1819	SCN1819	Ring Of Impeller
21	As Reqd.	SC1821	SCN1821	Split Cone
22	As Reqd.	SC1822	SCN1822	Split Cone Nut
26	1	SC1826	SCN1826	Spacing Washer For Stop Ring
32	1	SC1832	SCN1832	Neck Ring Retainer
34	1	SC1834	SCN1834	Strainer
36	1	SC1836	SCN1836	Suction Interconnector
37	1	SEE SHAFT SELECTION CHART		Shaft
44	1	SC1844	SCN1844	Coupling
47	4	SEE STRAP SELECTION CHART		Strap
52	1	SEE CABLE GUARD SELECTION CHART		Cable Guard
86	1	SC1886	SCN1886	Valve Seat
87	1	SC1887	SCN1887	Neck Ring
88	4	SC1888	SCN1888	Nut
89	1	SC1889	SCN1889	Bearing
90	1	SC1890	SCN1890	Screw
91	1	SC1891	SCN1891	Key
92	1	SC1892	SCN1892	O-ring



**SUBMERSIBLE AND TURBINE PUMPS**

# SC18

### SHAFT SELECTION CHART

MODEL	SC PART NO.	SCN PART NO.
SC18-02	SC183702	SCN183702
SC18-04	SC183704	SCN183704
SC18-05	SC183705	SCN183705
SC18-06	SC183706	SCN183706
SC18-07	SC183707	SCN183707
SC18-10	SC183710	SCN183710
SC18-13	SC183713	SCN183713
SC18-17	SC183717	SCN183717
SC18-20	SC183720	SCN183720
SC18-22	SC183722	SCN183722
SC18-24	SC183724	SCN183724
SC18-27	SC183727	SCN183727
SC18-29	SC183729	SCN183729
SC18-31	SC183731	SCN183731
SC18-33	SC183733	SCN183733
SC18-36	SC183736	SCN183736
SC18-38	SC183738	SCN183738
SC18-40	SC183740	SCN183740

### STRAP SELECTION CHART

MODEL	SC PART NO.	SCN PART NO.
SC18-02	SC184702	SCN184702
SC18-04	SC184704	SCN184704
SC18-05	SC184705	SCN184705
SC18-06	SC184706	SCN184706
SC18-07	SC184707	SCN184707
SC18-10	SC184710	SCN184710
SC18-13	SC184713	SCN184713
SC18-17	SC184717	SCN184717
SC18-20	SC184720	SCN184720
SC18-22	SC184722	SCN184722
SC18-24	SC184724	SCN184724
SC18-27	SC184727	SCN184727
SC18-29	SC184729	SCN184729
SC18-31	SC184731	SCN184731
SC18-33	SC184733	SCN184733
SC18-36	SC184736	SCN184736
SC18-38	SC184738	SCN184738
SC18-40	SC184740	SCN184740

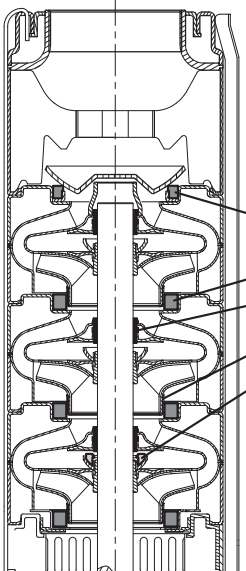
### CABLE GUARD SELECTION CHART

MODEL	SC PART NO.	SCN PART NO.
SC18-02	SC185202	SCN185202
SC18-04	SC185204	SCN185204
SC18-05	SC185205	SCN185205
SC18-06	SC185206	SCN185206
SC18-07	SC185207	SCN185207
SC18-10	SC185210	SCN185210
SC18-13	SC185213	SCN185213
SC18-17	SC185217	SCN185217
SC18-20	SC185220	SCN185220
SC18-22	SC185222	SCN185222
SC18-24	SC185224	SCN185224
SC18-27	SC185227	SCN185227
SC18-29	SC185229	SCN185229
SC18-31	SC185231	SCN185231
SC18-33	SC185233	SCN185233
SC18-36	SC185236	SCN185236
SC18-38	SC185238	SCN185238
SC18-40	SC185240	SCN185240



**SUBMERSIBLE AND TURBINE PUMPS**

**SC18/30**



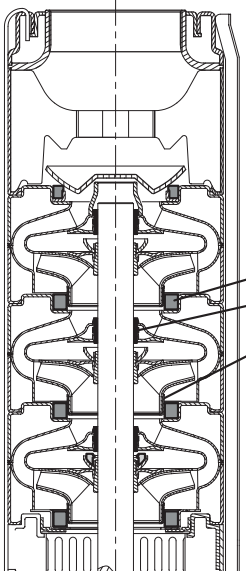
**Southern Cross**

"SC" Submersible Pump Service Kit

Part No.	Description	Quantity Enclosed
86	Valve Seat	1
87	Neck Ring	5
89	Bearing	5
19	Impeller Ring	5
26	Spacing Washer for Stop Ring	1

**SC18-Kit 1**

Code: SC18K1



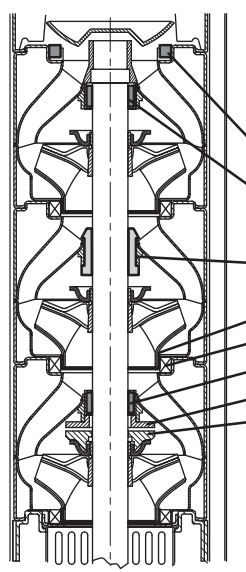
**Southern Cross**

"SC" Submersible Pump Service Kit

Part No.	Description	Quantity Enclosed
87	Neck Ring	5
89	Bearing	5
19	Impeller Ring	5

**SC18-Kit 2**

Code: SC18K2



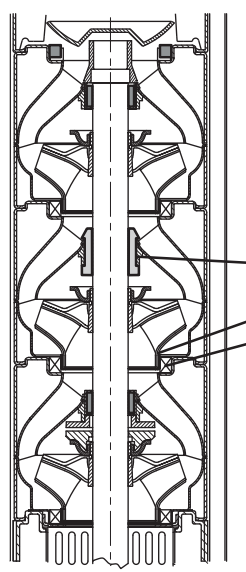
**Southern Cross**

"SC" Submersible Pump Service Kit

Part No.	Description	Quantity Enclosed
3	Valve Seat	1
5	Upper Bearing	1
7	Bearing	3
11	Impeller Ring	5
6	Neck Ring	5
14	Lower Bearing	1
15	Stop Ring	1
16	Spacing Washer for Stop Ring	1

**SC30-Kit 1**

Code: SC30K1



**Southern Cross**

"SC" Submersible Pump Service Kit

Part No.	Description	Quantity Enclosed
7	Bearing	5
11	Impeller Ring	5
6	Neck Ring	5

**SC30-Kit 2**

Code: SC30K2