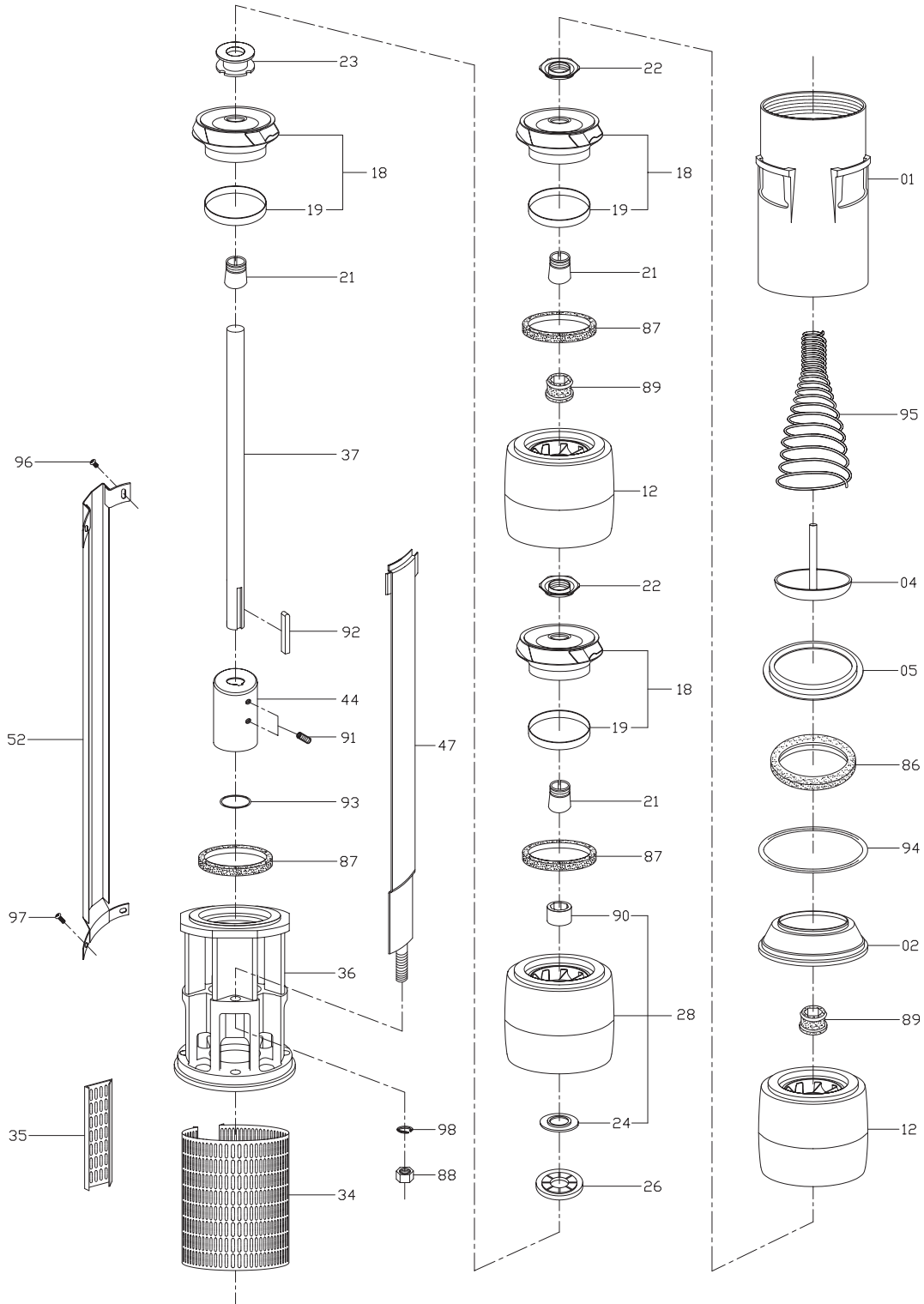




SUBMERSIBLE AND TURBINE PUMPS

SC100



**SUBMERSIBLE AND TURBINE PUMPS****SC100**

| ILLUS. NO. | NO. PER UNIT | SC80 PART NO. | SCN80 PART NO. | DESCRIPTION |
|------------|--------------|---------------------------------|----------------|---------------------------------|
| 01 | 1 | SC8001RP | SCN8001RP | Discharge (5" RP) |
| 01 | 1 | SC8001NPT | SCN8001NPT | Discharge (5" NPT) |
| 01 | 1 | SC8001F | SCN8001F | Discharge (5" Flange) |
| 02 | 1 | SC8002 | SCN8002 | Lower Valve Seat Retainer |
| 04 | 1 | SC8004 | SCN8004 | Valve Cup |
| 05 | 1 | SC8005 | SCN8005 | Upper Valve Seat Retainer |
| 12 | As Reqd. | SC10012 | SCN10012 | Diffuser |
| 18 | As Reqd. | SC10018 | SCN10018 | Impeller |
| 19 | As Reqd. | SC8019 | SCN8019 | Ring Of Impeller |
| 21 | As Reqd. | SC8021 | SCN8021 | Split Cone |
| 22 | As Reqd. | SC8022 | SCN8022 | Split Cone Nut |
| 23 | 1 | SC8023 | SCN8023 | Nut For Stop Ring |
| 24 | 1 | SC8024 | SCN8024 | Stop Ring |
| 26 | 1 | SC8026 | SC8026 | Spacing Washer For Stop Ring |
| 28 | 1 | SC10028 | SCN10028 | Bottom Diffuser |
| 34 | 1 | SC8034 | SCN8034 | Strainer |
| 35 | 1 | SC8035 | SCN8035 | Lock For Strainer |
| 36 | 1 | SC803606 | SCN803606 | Suction Interconnector 6" Motor |
| | 1 | SC803608 | SCN803608 | Suction Interconnector 8" Motor |
| 37 | 1 | SEE SHAFT SELECTION CHART | | Shaft |
| 44 | 1 | SC804406 | SCN804406 | Coupling 6" Motor |
| | 1 | SC804408 | SCN804408 | Coupling 8" Motor |
| 47 | 4 | SEE STRAP SELECTION CHART | | Strap |
| 52 | 1 | SEE CABLE GUARD SELECTION CHART | | Cable Guard |
| 86 | 1 | SC8086 | SCN8086 | Valve Seat |
| 87 | As Reqd. | SC8087 | SCN8087 | Neck Ring |
| 88 | | SC8088 | SC8088 | Nut (M16) |
| 89 | | SC8089 | SCN8089 | Bearing |
| 90 | | SC8090 | SCN8090 | Bearing |
| 91 | | SC8091 | SC8091 | Screw (M8x16) |
| 92 | | SC8092 | SCN8092 | Key |
| 93 | | SC8093 | SCN8093 | O-ring |
| 94 | | SC8094 | SCN8094 | O-ring |
| 95 | | SC8095 | SCN8095 | Spring |
| 96 | | SC8096 | SC8096 | Screw (M5x6L) |
| 97 | | SC8097 | SC8097 | Screw (M5x10L) |
| 98 | | SC8098 | SC8098 | Spring Washer (M16) |

**SUBMERSIBLE AND TURBINE PUMPS****SC100****SHAFT SELECTION CHART**

| MODEL | SC PART NO. | SCN PART NO. |
|-----------|-------------|--------------|
| SC100-01 | SC803701 | SCN803701 |
| SC100-02B | SC803702 | SCN803702 |
| SC100-02 | SC803702 | SCN803702 |
| SC100-03 | SC803703 | SCN803703 |
| SC100-04 | SC803704 | SCN803704 |
| SC100-05 | SC803705 | SCN803705 |
| SC100-06 | SC803706 | SCN803706 |
| SC100-07 | SC803707 | SCN803707 |
| SC100-08 | SC803708 | SCN803708 |
| SC100-09 | SC803709 | SCN803709 |
| SC100-10 | SC803710 | SCN803710 |
| SC100-11 | SC803711 | SCN803711 |
| SC100-12 | SC803712 | SCN803712 |
| SC100-13 | SC803713 | SCN803713 |
| SC100-14 | SC803714 | SCN803714 |
| SC100-15 | SC803715 | SCN803715 |
| SC100-16 | SC803716 | SCN803716 |
| SC100-17 | SC803717 | SCN803717 |
| SC100-18 | SC803718 | SCN803718 |
| SC100-19 | SC803719 | SCN803719 |
| SC100-20 | SC803720 | SCN803720 |

STRAP SELECTION CHART

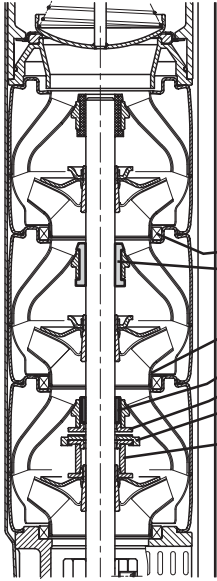
| MODEL | SC PART NO. | SCN PART NO. |
|-----------|-------------|--------------|
| SC100-01 | SC804701 | SCN804701 |
| SC100-02B | SC804702 | SCN804702 |
| SC100-02 | SC804702 | SCN804702 |
| SC100-03 | SC804703 | SCN804703 |
| SC100-04 | SC804704 | SCN804704 |
| SC100-05 | SC804705 | SCN804705 |
| SC100-06 | SC804706 | SCN804706 |
| SC100-07 | SC804707 | SCN804707 |
| SC100-08 | SC804708 | SCN804708 |
| SC100-09 | SC804709 | SCN804709 |
| SC100-10 | SC804710 | SCN804710 |
| SC100-11 | SC804711 | SCN804711 |
| SC100-12 | SC804712 | SCN804712 |
| SC100-13 | SC804713 | SCN804713 |
| SC100-14 | SC804714 | SCN804714 |
| SC100-15 | SC804715 | SCN804715 |
| SC100-16 | SC804716 | SCN804716 |
| SC100-17 | SC804717 | SCN804717 |
| SC100-18 | SC804718 | SCN804718 |
| SC100-19 | SC804719 | SCN804719 |
| SC100-20 | SC804720 | SCN804720 |

CABLE GUARD SELECTION CHART

| MODEL | SC PART NO. | SCN PART NO. |
|-----------|-------------|--------------|
| SC100-01 | SC805201 | SCN805201 |
| SC100-02B | SC805202 | SCN805202 |
| SC100-02 | SC805202 | SCN805202 |
| SC100-03 | SC805203 | SCN805203 |
| SC100-04 | SC805204 | SCN805204 |
| SC100-05 | SC805205 | SCN805205 |
| SC100-06 | SC805206 | SCN805206 |
| SC100-07 | SC805207 | SCN805207 |
| SC100-08 | SC805208 | SCN805208 |
| SC100-09 | SC805209 | SCN805209 |
| SC100-10 | SC805210 | SCN805210 |
| SC100-11 | SC805211 | SCN805211 |
| SC100-12 | SC805212 | SCN805212 |
| SC100-13 | SC805213 | SCN805213 |
| SC100-14 | SC805214 | SCN805214 |
| SC100-15 | SC805215 | SCN805215 |
| SC100-16 | SC805216 | SCN805216 |
| SC100-17 | SC805217 | SCN805217 |
| SC100-18 | SC805218 | SCN805218 |
| SC100-19 | SC805219 | SCN805219 |
| SC100-20 | SC805220 | SCN805220 |

SUBMERSIBLE AND TURBINE PUMPS

SC80/100

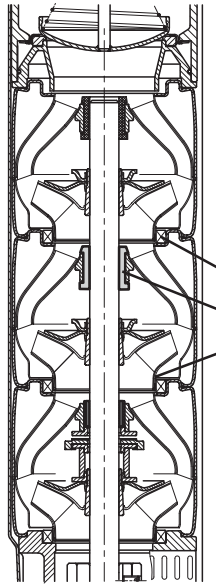


Southern Cross

"SC" Submersible Pump Service Kit

| Part No. | Description | Quantity Enclosed |
|----------|------------------------------|-------------------|
| 87 | Neck Ring | 5 |
| 89 | Bearing | 4 |
| 19 | Impeller Ring | 5 |
| 90 | Lower Bearing | 1 |
| 24 | Stop Ring | 1 |
| 26 | Spacing Washer for Stop Ring | 1 |
| 23 | Nut for Stop Ring | 1 |

SC80-Kit 1
Code: SC80K1

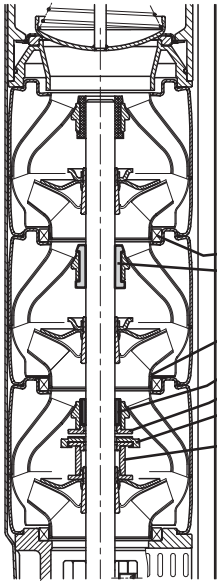


Southern Cross

"SC" Submersible Pump Service Kit

| Part No. | Description | Quantity Enclosed |
|----------|---------------|-------------------|
| 87 | Neck Ring | 5 |
| 89 | Bearing | 5 |
| 19 | Impeller Ring | 5 |

SC80/100-Kit 2
Code: SC80K2



Southern Cross

"SC" Submersible Pump Service Kit

| Part No. | Description | Quantity Enclosed |
|----------|------------------------------|-------------------|
| 87 | Neck Ring | 5 |
| 89 | Bearing | 4 |
| 19 | Impeller Ring | 5 |
| 90 | Lower Bearing | 1 |
| 24 | Stop Ring | 1 |
| 26 | Spacing Washer for Stop Ring | 1 |
| 23 | Nut for Stop Ring | 1 |

SC100-Kit 1
Code: SC100K1