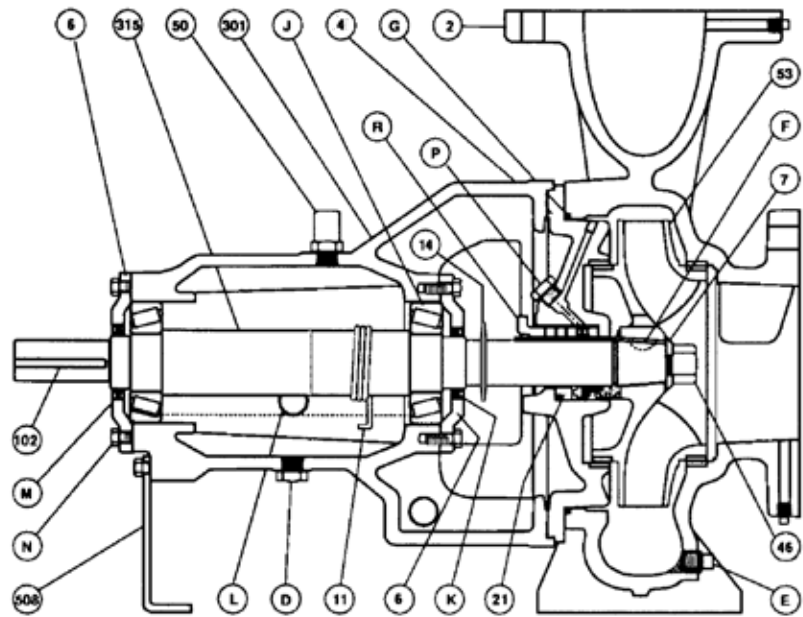


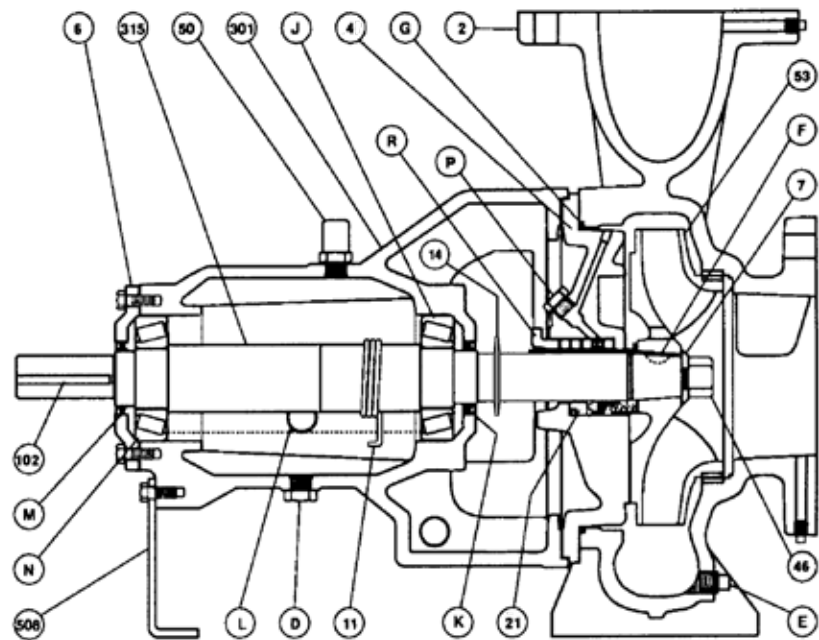
CENTRIFUGAL PUMPS

ISO-PRO

No. 1, 2 and 3 SHAFT PUMP



No. 4 SHAFT PUMP



ITEM NO.	DESCRIPTION	ITEM NO.	DESCRIPTION	ITEM NO.	DESCRIPTION
2	Volute Casing	53	Impeller	J	Bearing - Impeller End
4	Backplate	102	Shaft Key	K	Dust Seal - Impeller End
6	Bearing Cover	301	Bearing Housing	L	Oil Level Plug
7	Impeller Washer	315	Shaft	M	Dust Seal Drive End
11	Oil Thrower	508	Support Foot	N	Bearing - Drive End
14	Water Slinger	D	Oil Drain Plug	P	Gland Flushing Plug
21	Mechanical Seal	E	Casing Plug	R	Packed Gland
46	Impeller Nut	F	Impeller Key		
50	Oil Breather	G	Casing O-Ring		

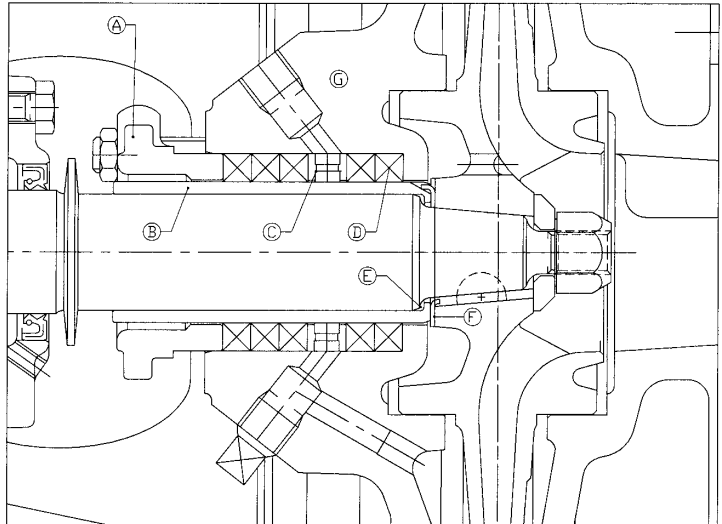


CENTRIFUGAL PUMPS

ISO-PRO
PACKED GLAND OPTION

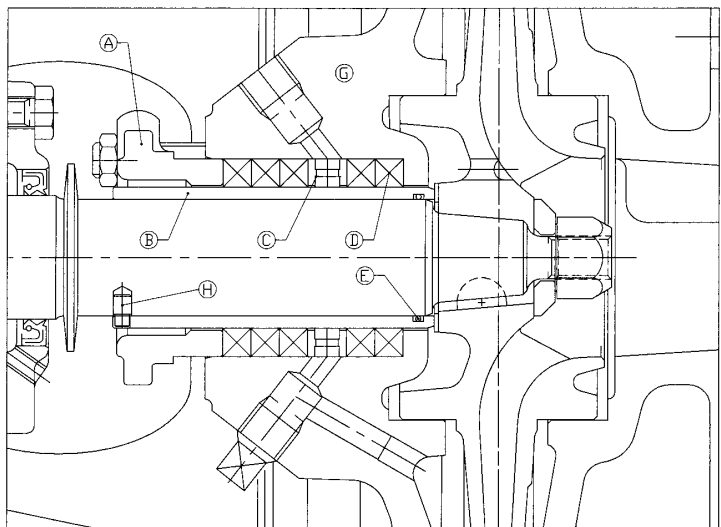
No. 1 & 2 SHAFT

ILLUS PART NO.	DESCRIPTION
A	Gland Follower
B	Shaft Sleeve
C	Lantern Ring
D	Packing Ring (Set of 5)
E	O-Ring
F	Tab Washer
G	Backplate - Cast Iron
G	Backplate - Zinc Free
G	Backplate - Cast SS
G	Backplate - SG Iron



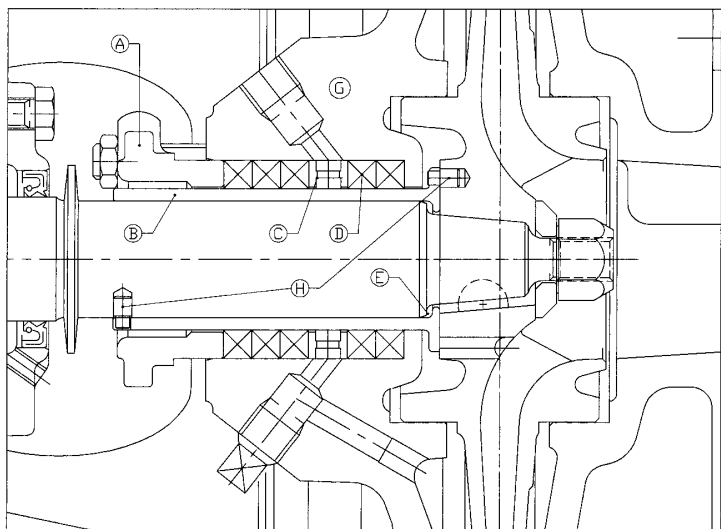
No. 3 SHAFT

ILLUS PART NO.	DESCRIPTION
A	Gland Follower
B	Shaft Sleeve
C	Lantern Ring
D	Packing Ring (Set of 5)
E	O-Ring
F	Tab Washer
G	Backplate - Cast Iron
G	Backplate - Zinc Free
G	Backplate - Cast SS
G	Backplate - SG Iron
H	Shaft Sleeve Drive Pin



No. 4 SHAFT

ILLUS PART NO.	DESCRIPTION
A	Gland Follower
B	Shaft Sleeve
C	Lantern Ring
D	Packing Ring (Set of 5)
E	O-Ring
F	Tab Washer
G	Backplate - Cast Iron
G	Backplate - Zinc Free
G	Backplate - Cast SS
G	Backplate - SG Iron
H	Shaft Sleeve Drive Pin



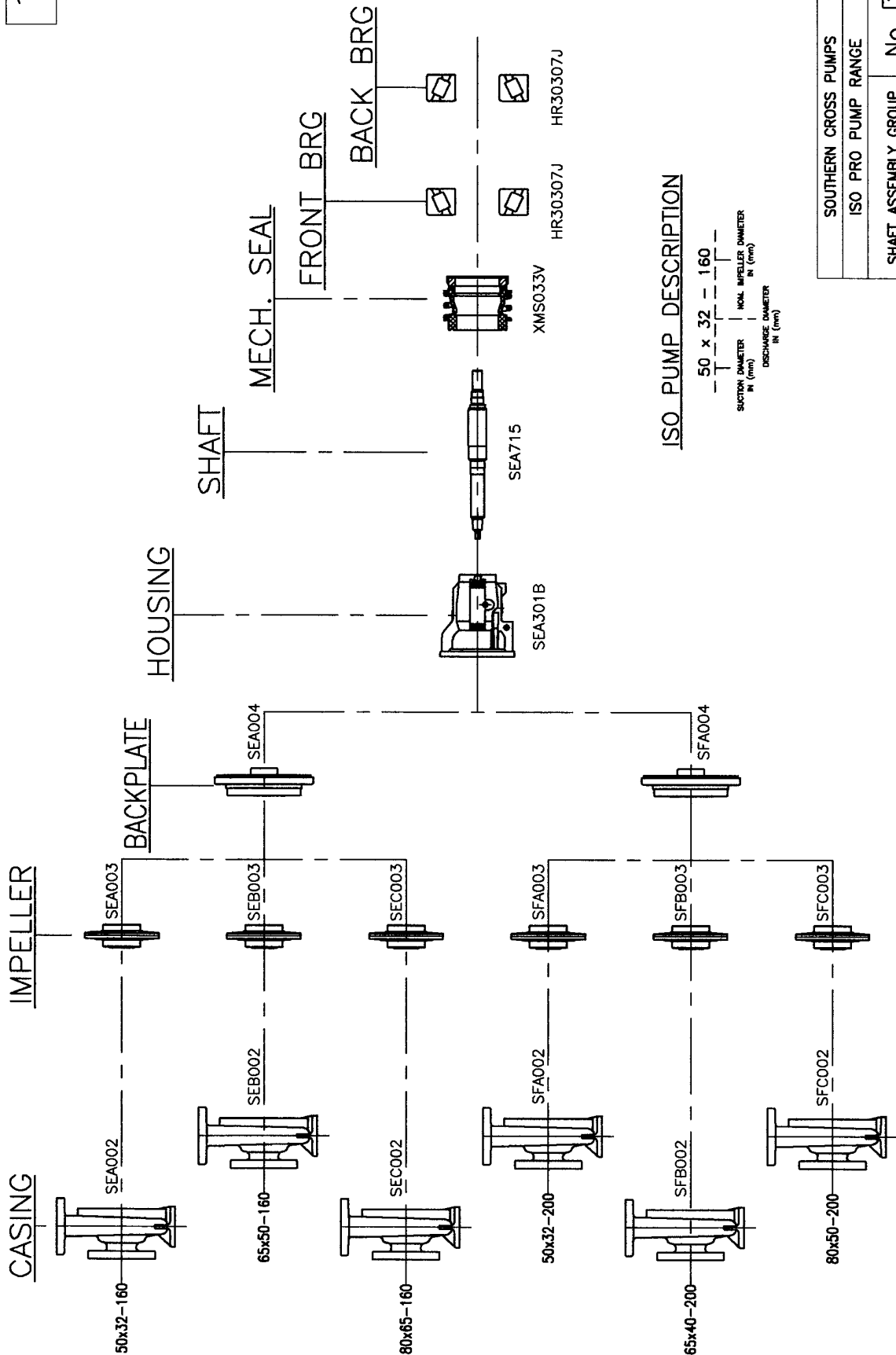


CENTRIFUGAL PUMPS

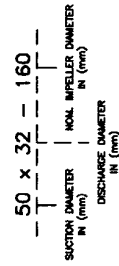
ISO-PRO

No. 1 SHAFT MODULE

1



ISO PUMP DESCRIPTION



SOUTHERN CROSS PUMPS	
ISO PRO PUMP RANGE	
SHAFT ASSEMBLY GROUP	No. 1

**CENTRIFUGAL PUMPS****ISO-PRO****No. 1 SHAFT MODULE**

Code:

PREA1**PREB1****PREC1**

Model:

50x32-160**65x50-160****80x65-160**

Illus No.	Description	Material	Part no.	Part no.	Part no.
301	Bearing Housing	Cast Iron	SEA301B	SEA301B	SEA301B
-	Safety Guard - Left	Galvanised Mild Steel	SEA311L	SEA311L	SEA311L
-	Safety Guard - Right	Galvanised Mild Steel	SEA311R	SEA311R	SEA311R
2	Volute Casing - Table E	Cast Iron	SEA002	SEB002	SEC002
2	Volute Casing - Table E	ZF Bronze	SEA052	SEB052	SEC052
2	Volute Casing - Table E	316SS	SEA062	SEB062	SEC062
53	Impeller	Cast Iron	SEA003	SEB003	SEC003
53	Impeller	ZF Bronze	SEA053	SEB053	SEC053
53	Impeller	316SS	SEA063	SEB063	SEC063
4	Backplate - Mech Seal	Cast Iron	SEA004	SEA004	SEA004
4	Backplate - Mech Seal	ZF Bronze	SEA054	SEA054	SEA054
4	Backplate - Mech Seal	316SS	SEA064	SEA064	SEA064
6	Bearing Cover	Cast Iron	SEA006	SEA006	SEA006
32	Gasket - Bearing Cover	0.5mm Thick	SEA032	SEA032	SEA032
7	Impeller Lock Washer	316SS	SEA007B	SEA007B	SEA007B
508	Support Foot	Mild Steel	SEA508	SEA508	SEC508
11	Oil Thrower	Spring Steel	NFC011	NFC011	NFC011
50	Oil Breather	Zinc Plated Steel	NFA050	NFA050	NFA050
315	Pump Shaft	431SS	SEA715	SEA715	SEA715
315	Pump Shaft	316SS	SEA315	SEA315	SEA315
21	Mechanical Seal	33mm Carbon / Ceramic / Viton	XMS033V	XMS033V	XMS033V
21	Mechanical Seal	33mm Silicon Carbide / Silicon Carbide / Viton	XMS133	XMS133	XMS133
46	Impeller Nut	316SS	SEA046B	SEA046B	SEA046B
102	Pulley Key	Key Steel	SEA102	SEA102	SEA102
E	Volute Drain Plug	Mild Steel - Zinc Plated	489069004	489069004	489069004
E	Volute Drain Plug	316SS	489069204	489069204	489069204
F	Impeller Key	316SS	NFA061	NFA061	NFA061
G	Casing O-ring	Viton Rubber	383007041	383007041	383007041
H	Backplate to Casing Bolt	H/T Steel	-	-	-
I	Brg Hsg to Backplate Bolt	H/T Steel	-	-	-
J	Bearing - Impeller End	(HR30307J) Taper Roller Bearing	477144070	477144070	477144070
K	Dust Seal - Impeller End	(PR8158) Oil Seal	382005067	382005067	382005067
L	Brg Cover to Brg Hsg Bolt	H/T Steel	387144020	387144020	387144020
M	Dust Seal - Pump End	(PR8158) Oil Seal	382005067	382005067	382005067
N	Bearing - Pump End	(HR30307J) Taper Roller Bearing	477144070	477144070	477144070
O	Support Foot to Brg Hsg Bolt	H/T Steel	387148035	387148035	387148035
P	Brg Hsg to Casing Bolt	H/T Steel	387144045	387144045	387144045
Q	Discharge Flange Plug	Mild Steel - Zinc Plated	489069002	489069002	489069002
Q	Discharge Flange Plug	316SS	489069202	489069202	489069202
R	Inlet Flange Plug	Mild Steel - Zinc Plated	489069002	489069002	489069002
R	Inlet Flange Plug	316SS	489069202	489069002	489069202
-	Shim - Bearing (0.8mm)		SEA320	SEA320	SEA320
-	Shim - Bearing (0.25mm)		SEA321	SEA321	SEA321

Optional Wear Rings

A	Wear Ring - Backplate	ZF Bronze	SEA027	SEA027	SEA027
A	Wear Ring - Backplate	316SS	SEA327	SEA327	SEA327
B	Wear Ring - Impeller Rear	ZF Bronze	SEA026	SEA026	SEA026
B	Wear Ring - Impeller Rear	316SS	SEA326	SEA326	SEA326
C	Wear Ring - Impeller Front	ZF Bronze	SEA026	SEA026	SEC026
C	Wear Ring - Impeller Front	316SS	SEA326	SEA326	SEC326
D	Wear Ring - Volute Casing	ZF Bronze	SEA027	SEA027	SEC027
D	Wear Ring - Volute Casing	316SS	SEA327	SEA327	SEC327



CENTRIFUGAL PUMPS

ISO-PRO

Code:	PREA1	PREB1	PREC1
Model:	50x32-160	65x50-160	80x65-160

Illus No.	Description	Material	Part no.	Part no.	Part no.
Optional Packed Gland					
4	Backplate - Packed Gland	Cast Iron	SEA011	SEA011	SEA011
4	Backplate - Packed Gland	ZF Bronze	SEA051	SEA051	SEA051
4	Backplate - Packed Gland	316SS	SEA061	SEA061	SEA061
-	Packed Gland Kit		PSEA65	PSEA65	PSEA65
-	Shaft Sleeve Kit		PSEA60	PSEA60	PSEA60
-	Packing Ring Set (5)		SEA023	SEA023	SEA023
Overhaul Kits					
	Mechanical Seal & O-Ring Kit		PRO1900	PRO1900	PRO1900
	Seal & Bearing Kit		PRO1902	PRO1902	PRO1902

**CENTRIFUGAL PUMPS****ISO-PRO****No. 1 SHAFT MODULE**

Code:

PRFA1**PRFB1****PRFC1**

Model:

50x32-200**65x40-200****80x50-200**

Illus No.	Description	Material	Part no.	Part no.	Part no.
301	Bearing Housing	Cast Iron	SEA301B	SEA301B	SEA301B
-	Safety Guard - Left	Galvanised Mild Steel	SEA311L	SEA311L	SEA311L
-	Safety Guard - Right	Galvanised Mild Steel	SEA311R	SEA311R	SEA311R
2	Volute Casing - Table E	Cast Iron	SFA002	SFB002	SFC002
2	Volute Casing - Table E	ZF Bronze	SFA052	SFB052	SFC052
2	Volute Casing - Table E	316SS	SFA062	SFB062	SFC062
53	Impeller	Cast Iron	SFA003	SFB003	SFC003
53	Impeller	ZF Bronze	SFA053	SFB053	SFC053
53	Impeller	316SS	SFA063	SFB063	SFC063
4	Backplate - Mech Seal	Cast Iron	SFA004	SFA004	SFA004
4	Backplate - Mech Seal	ZF Bronze	SFA054	SFA054	SFA054
4	Backplate - Mech Seal	316ss	SFA064	SFA064	SFA064
6	Bearing Cover	Cast Iron	SEA006	SEA006	SEA006
32	Gasket - Bearing Cover	0.5mm Thick	SEA032	SEA032	SEA032
7	Impeller Lock Washer	316SS	SEA007B	SEA007B	SEA007B
508	Support Foot	Mild Steel	SEC508	SEC508	SEC508
11	Oil Thrower	Spring Steel	NFC011	NFC011	NFC011
50	Oil Breather	Zinc Plated Steel	NFA050	NFA050	NFA050
315	Pump Shaft	431SS	SEA715	SEA715	SEA715
315	Pump Shaft	316SS	SEA315	SEA315	SEA315
21	Mechanical Seal	33mm Carbon / Ceramic / Viton	XMS033V	XMS033V	XMS033V
21	Mechanical Seal	33mm Silicon Carbide / Silicon Carbide / Viton	XMS133	XMS133	XMS133
46	Impeller Nut	316SS	SEA046B	SEA046B	SEA046B
102	Pulley Key	Key Steel	SEA102	SEA102	SEA102
E	Volute Drain Plug	Mild Steel - Zinc Plated	489069004	489069004	489069004
E	Volute Drain Plug	316SS	489069204	489069204	489069204
F	Impeller Key	316SS	NFA061	NFA061	NFA061
G	Casing O-ring	Viton Rubber	383007048	383007048	383007048
H	Backplate to Casing Bolt	H/T Steel	387126025	387126025	387126025
I	Brg Hsg to Backplate Bolt	H/T Steel	406102460	406102460	406102460
J	Bearing - Impeller End	(HR30307J) Taper Roller Bearing	477144070	477144070	477144070
K	Dust Seal - Impeller End	(PR8158) Oil Seal	382005067	382005067	382005067
L	Brg Cover to Brg Hsg Bolt	H/T Steel	387144020	387144020	387144020
M	Dust Seal - Pump End	(PR8158) Oil Seal	382005067	382005067	382005067
N	Bearing - Pump End	(HR30307J) Taper Roller Bearing	477144070	477144070	477144070
O	Support Foot to Brg Hsg Bolt	H/T Steel	387148035	387148035	387148035
P	Brg Hsg to Casing Bolt	H/T Steel	-	-	-
Q	Discharge Flange Plug	Mild Steel - Zinc Plated	489069002	489069002	489069002
Q	Discharge Flange Plug	316SS	489069202	489069202	489069202
R	Inlet Flange Plug	Mild Steel - Zinc Plated	489069002	489069002	489069002
R	Inlet Flange Plug	316SS	489069202	489069202	489069202
-	Shim - Bearing (0.8mm)		SEA320	SEA320	SEA320
-	Shim - Bearing (0.25mm)		SEA321	SEA321	SEA321
Optional Wear Rings					
A	Wear Ring - Backplate	ZF Bronze	SEC027	SEC027	SEC027
A	Wear Ring - Backplate	316SS	SEC327	SEC327	SEC327
B	Wear Ring - Impeller Rear	ZF Bronze	SEC026	SEC026	SEC026
B	Wear Ring - Impeller Rear	316SS	SEC326	SEC326	SEC326
C	Wear Ring - Impeller Front	ZF Bronze	SEA026	SEA026	SEC026
C	Wear Ring - Impeller Front	316SS	SEA326	SEA326	SEC326
D	Wear Ring - Volute Casing	ZF Bronze	SEA027	SEA027	SEC027
D	Wear Ring - Volute Casing	316SS	SEA327	SEA327	SEC327



CENTRIFUGAL PUMPS

ISO-PRO

Code:	PRFA1	PRFB1	PRFC1
Model:	50x32-200	65x40-200	80x50-200

Illus No.	Description	Material	Part no.	Part no.	Part no.
Optional Packed Gland					
4	Backplate - Packed Gland	Cast Iron	SFA011	SFA011	SFA011
4	Backplate - Packed Gland	ZF Bronze	SFA051	SFA051	SFA051
4	Backplate - Packed Gland	316SS	SFA061	SFA061	SFA061
-	Packed Gland Kit		PSEA65	PSEA65	PSEA65
-	Shaft Sleeve Kit		PSEA60	PSEA60	PSEA60
-	Packing Ring Set (5)		SEA023	SEA023	SEA023
Overhaul Kits					
	Mechanical Seal & O-Ring Kit		PRO1901	PRO1901	PRO1901
	Seal & Bearing Kit		PRO1903	PRO1903	PRO1903

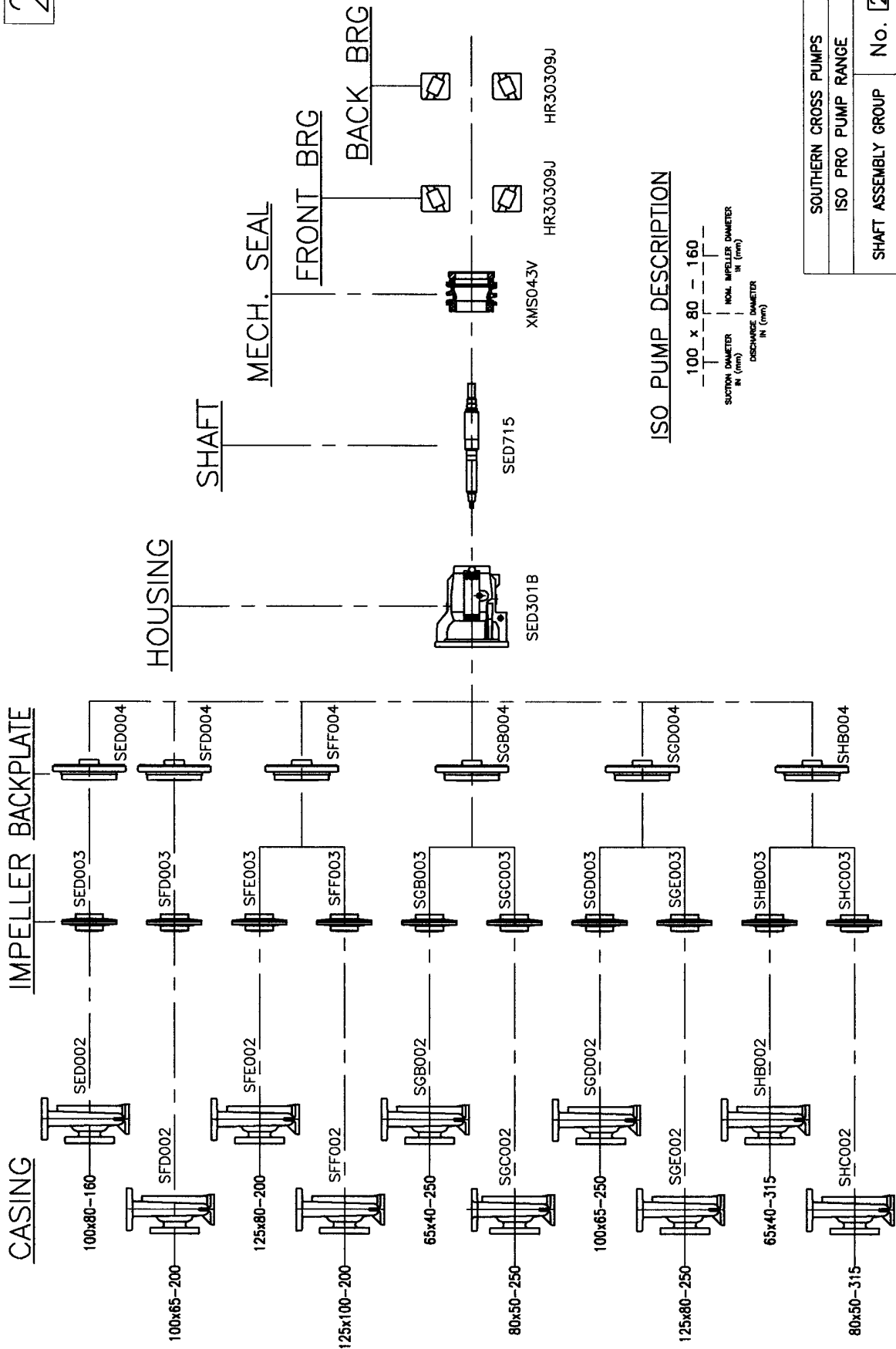


CENTRIFUGAL PUMPS

No. 2 SHAFT MODULE

2

ISO-PRO



SOUTHERN CROSS PUMPS	
ISO PRO PUMP RANGE	
SHAFT ASSEMBLY GROUP	No. 2



CENTRIFUGAL PUMPS

ISO-PRO

No. 2 SHAFT MODULE

Code:	PRED2	PRFD2	PRFE2
Model:	100x80-160	100x65-200	125x80-200

Illus No.	Description	Material	Part no.	Part no.	Part no.
301	Bearing Housing	Cast Iron	SED301B	SED301B	SED301B
-	Safety Guard - Left	Galvanised Mild Steel	SED311L	SED311L	SED311L
-	Safety Guard - Right	Galvanised Mild Steel	SED311R	SED311R	SED311R
2	Volute Casing - Table E	Cast Iron	SED002	SFD002	SFE002
2	Volute Casing - Table E	ZF Bronze	SED052	SFD052	SFE052
2	Volute Casing - Table E	316SS	SED062	SFD062	SFE062
53	Impeller	Cast Iron	SED003	SFD003	SFE003
53	Impeller	ZF Bronze	SED053	SFD053	SFE053
53	Impeller	316SS	SED063	SFD063	SFE063
4	Backplate - Mech Seal	Cast Iron	SED004	SFD004	SFF004
4	Backplate - Mech Seal	ZF Bronze	SED054	SFD054	SFF054
4	Backplate - Mech Seal	316SS	SED064	SFD064	SFF064
6	Bearing Cover	Cast Iron	SED006	SED006	SED006
32	Gasket - Bearing Cover	0.5mm Thick	SED032	SED032	SED032
7	Impeller Lock Washer	316SS	SED007	SED007	SED007
508	Support Foot	Mild Steel	SED508B	SFD508B	SFF508B
11	Oil Thrower	Spring Steel	NGE011	NGE011	NGE011
50	Oil Breather	Zinc Plated Steel	NFA050	NFA050	NFA050
315	Pump Shaft	431SS	SED715	SED715	SED715
315	Pump Shaft	316SS	SED315	SED315	SED315
21	Mechanical Seal	43mm Carbon / Ceramic / Viton	XMS043V	XMS043V	XMS043V
21	Mechanical Seal	43mm Silicon Carbide / Silicon Carbide / Viton	XMS143	XMS143	XMS143
46	Impeller Nut	316SS	SED046B	SED046B	SED046B
102	Pulley Key	Key Steel	SED102	SED102	SED102
E	Volute Drain Plug	Mild Steel - Zinc Plated	489069004	489069004	489069004
E	Volute Drain Plug	316SS	489069204	489069204	489069204
F	Impeller Key	316SS	NFE061	NFE061	NFE061
G	Casing O-ring	Viton Rubber	383007048	383007048	383007048
H	Backplate to Casing Bolt	H/T Steel	-	-	-
I	Brg Hsg to Backplate Bolt	H/T Steel	-	-	-
J	Bearing - Impeller End	(HR30309J) Taper Roller Bearing	477144090	477144090	477144090
K	Dust Seal - Impeller End	(PR8236) Oil Seal	382005069	382005069	382005069
L	Brg Cover to Brg Hsg Bolt	H/T Steel	387144020	387144020	387144020
M	Dust Seal - Pump End	(PR8236) Oil Seal	382005069	382005069	382005069
N	Bearing - Pump End	(HR30309J) Taper Roller Bearing	477144090	477144090	477144090
O	Support Foot to Brg Hsg Bolt	H/T Steel	387148035	387148035	387148035
P	Brg Hsg to Casing Bolt	H/T Steel	387146040	387146040	387146040
Q	Discharge Flange Plug	Mild Steel - Zinc Plated	489069004	489069002	489069004
Q	Discharge Flange Plug	316SS	489069204	489069202	489069204
R	Inlet Flange Plug	Mild Steel - Zinc Plated	489069004	489069002	489069004
R	Inlet Flange Plug	316SS	489069204	489069202	489069204
-	Shim - Bearing (0.8mm)		SED320	SED320	SED320
-	Shim - Bearing (0.25mm)		SED321	SED321	SED321

Optional Wear Rings

A	Wear Ring - Backplate	ZF Bronze	SED027	SED027	SFF027
A	Wear Ring - Backplate	316SS	SED327	SED327	SFF327
B	Wear Ring - Impeller Rear	ZF Bronze	SED026	SED026	SFF026
B	Wear Ring - Impeller Rear	316SS	SED326	SED326	SFF326
C	Wear Ring - Impeller Front	ZF Bronze	SED026	SED026	SFF026
C	Wear Ring - Impeller Front	316SS	SED326	SED326	SFF326
D	Wear Ring - Volute Casing	ZF Bronze	SED027	SED027	SFF027
D	Wear Ring - Volute Casing	316SS	SED327	SED327	SFF327



CENTRIFUGAL PUMPS

ISO-PRO

Code:	PRED2	PRFD2	PRFE2
Model:	100x80-160	100x65-200	125x80-200

Illus No.	Description	Material	Part no.	Part no.	Part no.
Optional Packed Gland					
4	Backplate - Packed Gland	Cast Iron	SED011	SFD011	SFF011
4	Backplate - Packed Gland	ZF Bronze	SED051	SFD051	SFF051
4	Backplate - Packed Gland	316SS	SED061	SFD061	SFF061
-	Packed Gland Kit		PSED65	PSED65	PSED65
-	Shaft Sleeve Kit		PSED60	PSED60	PSED60
-	Packing Ring Set (5)		SED023	SED023	SED023
Overhaul Kits					
	Mechanical Seal & O-Ring Kit		PRO2900	PRO2900	PRO2900
	Seal & Bearing Kit		PRO2903	PRO2903	PRO2903



CENTRIFUGAL PUMPS

ISO-PRO

No. 2 SHAFT MODULE

Code:	PRFF2	PRGB2	PRGC2
Model:	125x100-200	65x40-250	80x50-250

Illus No.	Description	Material	Part no.	Part no.	Part no.
301	Bearing Housing	Cast Iron	SED301B	SED301B	SED301B
-	Safety Guard - Left	Galvanised Mild Steel	SED311L	SED311L	SED311L
-	Safety Guard - Right	Galvanised Mild Steel	SED311R	SED311R	SED311R
2	Volute Casing - Table E	Cast Iron	SFF002	SGB002	SGC002
2	Volute Casing - Table E	ZF Bronze	SFF052	SGB052	SGC052
2	Volute Casing - Table E	316SS	SFF062	SGB062	SGC062
53	Impeller	Cast Iron	SFF003	SGB003	SGC003
53	Impeller	ZF Bronze	SFF053	SGB053	SGC053
53	Impeller	316SS	SFF063	SGB063	SGC063
4	Backplate - Mech Seal	Cast Iron	SFF004	SGB004	SGB004
4	Backplate - Mech Seal	ZF Bronze	SFF054	SGB054	SGB054
4	Backplate - Mech Seal	316SS	SFF064	SGB064	SGB064
6	Bearing Cover	Cast Iron	SED006	SED006	SED006
32	Gasket - Bearing Cover	0.5mm Thick	SED032	SED032	SED032
7	Impeller Lock Washer	316SS	SED007B	SED007B	SED007B
508	Support Foot	Mild Steel	SFF508	SFD508	SFD508
11	Oil Thrower	Spring Steel	NGE011	NGE011	NGE011
50	Oil Breather	Zinc Plated Steel	NFA050	NFA050	NFA050
315	Pump Shaft	431SS	SED715	SED715	SED715
315	Pump Shaft	316SS	SED315	SED315	SED315
21	Mechanical Seal	43mm Carbon / Ceramic / Viton	XMS043V	XMS043V	XMS043V
21	Mechanical Seal	43mm Silicon Carbide / Silicon Carbide / Viton	XMS143	XMS143	XMS143
46	Impeller Nut	316SS	SED046B	SED046B	SED046B
102	Pulley Key	Key Steel	SED102	SED102	SED102
E	Volute Drain Plug	Mild Steel - Zinc Plated	489069004	489069004	489069004
E	Volute Drain Plug	316SS	489069204	489069204	489069204
F	Impeller Key	316SS	NFE061	NFE061	NFE061
G	Casing O-ring	Viton Rubber	383007048	383007276	383007276
H	Backplate to Casing Bolt	H/T Steel	-	387126025	387126025
I	Brg Hsg to Backplate Bolt	H/T Steel	-	387126025	387126025
J	Bearing - Impeller End	(HR30309J) Taper Roller Bearing	477144090	477144090	477144090
K	Dust Seal - Impeller End	(PR8236) Oil Seal	382005069	382005069	382005069
L	Brg Cover to Brg Hsg Bolt	H/T Steel	387144020	387144020	387144020
M	Dust Seal - Pump End	(PR8236) Oil Seal	382005069	382005069	382005069
N	Bearing - Pump End	(HR30309J) Taper Roller Bearing	477144090	477144090	477144090
O	Support Foot to Brg Hsg Bolt	H/T Steel	387148035	387148035	387148035
P	Brg Hsg to Casing Bolt	H/T Steel	-	-	-
Q	Discharge Flange Plug	Mild Steel - Zinc Plated	489069004	489069002	489069002
Q	Discharge Flange Plug	316SS	489069204	489069202	489069202
R	Inlet Flange Plug	Mild Steel - Zinc Plated	489069004	489069002	489069002
R	Inlet Flange Plug	316SS	489069204	489069202	489069202
-	Shim - Bearing (0.8mm)		SED320	SED320	SED320
-	Shim - Bearing (0.25mm)		SED321	SED321	SED321

Optional Wear Rings

A	Wear Ring - Backplate	ZF Bronze	SFF027	SGB027	SGB027
A	Wear Ring - Backplate	316SS	SFF327	SGB327	SGB327
B	Wear Ring - Impeller Rear	ZF Bronze	SFF026	SGB026	SGB026
B	Wear Ring - Impeller Rear	316SS	SFF326	SGB326	SGB326
C	Wear Ring - Impeller Front	ZF Bronze	SFF026	SEC026	SGB026
C	Wear Ring - Impeller Front	316SS	SFF326	SEC326	SGB326
D	Wear Ring - Volute Casing	ZF Bronze	SFF027	SEC027	SGB027
D	Wear Ring - Volute Casing	316SS	SFF327	SEC327	SGB327



CENTRIFUGAL PUMPS

ISO-PRO

Code:	PRFF2	PRGB2	PRGC2
Model:	125x100-200	65x40-250	80x50-250

Illus No.	Description	Material	Part no.	Part no.	Part no.
Optional Packed Gland					
4	Backplate - Packed Gland	Cast Iron	SFF011	SGB011	SGB011
4	Backplate - Packed Gland	ZF Bronze	SFF051	SGB051	SGB051
4	Backplate - Packed Gland	316SS	SFF061	SGB061	SGB061
-	Packed Gland Kit		PSED65	PSED65	PSED65
-	Shaft Sleeve Kit		PSED60	PSED60	PSED60
-	Packing Ring Set (5)		SED023	SED023	SED023
Overhaul Kits					
	Mechanical Seal & O-Ring Kit		PRO2900	PRO2901	PRO2901
	Seal & Bearing Kit		PRO2903	PRO2904	PRO2904

**CENTRIFUGAL PUMPS****ISO-PRO****No. 2 SHAFT MODULE**

Code:

PRGD2**PRGE2****PRHB2**

Model:

**100x65-
250****125x80-
250****65x40-315**

Illus No.	Description	Material	Part no.	Part no.	Part no.
301	Bearing Housing	Cast Iron	SED301B	SED301B	SED301B
-	Safety Guard - Left	Galvanised Mild Steel	SED311L	SED311L	SED311L
-	Safety Guard - Right	Galvanised Mild Steel	SED311R	SED311R	SED311R
2	Volute Casing - Table E	Cast Iron	SGD002	SGE002	SHB002
2	Volute Casing - Table E	ZF Bronze	SGD052	SGE052	SHB052
2	Volute Casing - Table E	316SS	SGD062	SGE062	SHB062
53	Impeller	Cast Iron	SGD003	SGE003	SHB003
53	Impeller	ZF Bronze	SGD053	SGE053	SHB053
53	Impeller	316SS	SGD063	SGE063	SHB063
4	Backplate - Mech Seal	Cast Iron	SGD004	SGD004	SHB004
4	Backplate - Mech Seal	ZF Bronze	SGD054	SGD054	SHB054
4	Backplate - Mech Seal	316SS	SGD064	SGD064	SHB064
6	Bearing Cover	Cast Iron	SED006	SED006	SED006
32	Gasket - Bearing Cover	0.5mm Thick	SED032	SED032	SED032
7	Impeller Lock Washer	316SS	SED007B	SED007B	SED007B
508	Support Foot	Mild Steel	SFF508	SFF508	SFF508
11	Oil Thrower	Spring Steel	NGE011	NGE011	NGE011
50	Oil Breather	Zinc Plated Steel	NFA050	NFA050	NFA050
315	Pump Shaft	431SS	SED715	SED715	SED715
315	Pump Shaft	316SS	SED315	SED315	SED315
21	Mechanical Seal	43mm Carbon / Ceramic / Viton	XMS043V	XMS043V	XMS043V
21	Mechanical Seal	43mm Silicon Carbide / Silicon Carbide / Viton	XMS143	XMS143	XMS143
46	Impeller Nut	316SS	SED046B	SED046B	SED046B
102	Pulley Key	Key Steel	SED102	SED102	SED102
E	Volute Drain Plug	Mild Steel - Zinc Plated	489069004	489069004	489069004
E	Volute Drain Plug	316SS	489069204	489069204	489069204
F	Impeller Key	316SS	NFE061	NFE061	NFE061
G	Casing O-ring	Viton Rubber	383007276	383007276	383007279
H	Backplate to Casing Bolt	H/T Steel	387126025	387126025	406102511
I	Brg Hsg to Backplate Bolt	H/T Steel	387126025	387126025	406102511
J	Bearing - Impeller End	(HR30309J) Taper Roller Bearing	477144090	477144090	477144090
K	Dust Seal - Impeller End	(PR8236) Oil Seal	382005069	382005069	382005069
L	Brg Cover to Brg Hsg Bolt	H/T Steel	387144020	387144020	387144020
M	Dust Seal - Pump End	(PR8236) Oil Seal	382005069	382005069	382005069
N	Bearing - Pump End	(HR30309J) Taper Roller Bearing	477144090	477144090	477144090
O	Support Foot to Brg Hsg Bolt	H/T Steel	387148035	387148035	387148035
P	Brg Hsg to Casing Bolt	H/T Steel	-	-	-
Q	Discharge Flange Plug	Mild Steel - Zinc Plated	489069002	489069004	489069002
Q	Discharge Flange Plug	316SS	489069202	489069204	489069202
R	Inlet Flange Plug	Mild Steel - Zinc Plated	489069002	489069004	489069002
R	Inlet Flange Plug	316SS	489069202	489069204	489069202
-	Shim - Bearing (0.8mm)		SED320	SED320	SED320
-	Shim - Bearing (0.25mm)		SED321	SED321	SED321
Optional Wear Rings					
A	Wear Ring - Backplate	ZF Bronze	SED027	SED027	SGB027
A	Wear Ring - Backplate	316SS	SED327	SED327	SGB327
B	Wear Ring - Impeller Rear	ZF Bronze	SED026	SED026	SGB026
B	Wear Ring - Impeller Rear	316SS	SED326	SED326	SGB326
C	Wear Ring - Impeller Front	ZF Bronze	SED026	SFF026	SEC026
C	Wear Ring - Impeller Front	316SS	SED326	SFF326	SEC326
D	Wear Ring - Volute Casing	ZF Bronze	SED027	SFF027	SEC027
D	Wear Ring - Volute Casing	316SS	SED327	SFF327	SEC327



CENTRIFUGAL PUMPS

ISO-PRO

Code:	PRGD2	PRGE2	PRHB2
Model:	100x65-250	125x80-250	65x40-315

Illus No.	Description	Material	Part no.	Part no.	Part no.
Optional Packed Gland					
4	Backplate - Packed Gland	Cast Iron	SGD011	SGD011	SHB011
4	Backplate - Packed Gland	ZF Bronze	SGD051	SGD051	SHB051
4	Backplate - Packed Gland	316SS	SGD061	SGD061	SHB061
-	Packed Gland Kit		PSED65	PSED65	PSED65
-	Shaft Sleeve Kit		PSED60	PSED60	PSED60
-	Packing Ring Set (5)		SED023	SED023	SED023
Overhaul Kits					
	Mechanical Seal & O-Ring Kit		PRO2901	PRO2901	PRO2902
	Seal & Bearing Kit		PRO2904	PRO2904	PRO2905

**CENTRIFUGAL PUMPS****ISO-PRO****Code:****PRHC2****No. 2 SHAFT MODULE****Model:****80x50-315**

Illus No.	Description	Material	Part no.
301	Bearing Housing	Cast Iron	SED301B
-	Safety Guard - Left	Galvanised Mild Steel	SED311L
-	Safety Guard - Right	Galvanised Mild Steel	SED311R
2	Volute Casing - Table E	Cast Iron	SHC002
2	Volute Casing - Table E	ZF Bronze	SHC052
2	Volute Casing - Table E	316SS	SHC062
53	Impeller	Cast Iron	SHC003
53	Impeller	ZF Bronze	SHC053
53	Impeller	316SS	SHC063
4	Backplate - Mech Seal	Cast Iron	SHB004
4	Backplate - Mech Seal	ZF Bronze	SHB054
4	Backplate - Mech Seal	316SS	SHB064
6	Bearing Cover	Cast Iron	SED006
32	Gasket - Bearing Cover	0.5mm Thick	SED032
7	Impeller Lock Washer	316SS	SED007B
508	Support Foot	Mild Steel	SHC508
11	Oil Thrower	Spring Steel	NGE011
50	Oil Breather	Zinc Plated Steel	NFA050
315	Pump Shaft	431SS	SED715
315	Pump Shaft	316SS	SED315
21	Mechanical Seal	43mm Carbon / Ceramic / Viton	XMS043V
21	Mechanical Seal	43mm Silicon Carbide / Silicon Carbide / Viton	XMS143
46	Impeller Nut	316SS	SED046B
102	Pulley Key	Key Steel	SED102
E	Volute Drain Plug	Mild Steel - Zinc Plated	489069004
E	Volute Drain Plug	316SS	489069204
F	Impeller Key	316SS	NFE061
G	Casing O-ring	Viton Rubber	383007279
H	Backplate to Casing Bolt	H/T Steel	406102511
I	Brg Hsg to Backplate Bolt	H/T Steel	406102511
J	Bearing - Impeller End	(HR30309J) Taper Roller Bearing	477144090
K	Dust Seal - Impeller End	(PR8236) Oil Seal	382005069
L	Brg Cover to Brg Hsg Bolt	H/T Steel	387144020
M	Dust Seal - Pump End	(PR8236) Oil Seal	382005069
N	Bearing - Pump End	(HR30309J) Taper Roller Bearing	477144090
O	Support Foot to Brg Hsg Bolt	H/T Steel	387148035
P	Brg Hsg to Casing Bolt	H/T Steel	-
Q	Discharge Flange Plug	Mild Steel - Zinc Plated	489069002
Q	Discharge Flange Plug	316SS	489069202
R	Inlet Flange Plug	Mild Steel - Zinc Plated	489069002
R	Inlet Flange Plug	316SS	489069202
-	Shim - Bearing (0.8mm)		SED320
-	Shim - Bearing (0.25mm)		SED321
Optional Wear Rings			
A	Wear Ring - Backplate	ZF Bronze	SGB027
A	Wear Ring - Backplate	316SS	SGB327
B	Wear Ring - Impeller Rear	ZF Bronze	SGB026
B	Wear Ring - Impeller Rear	316SS	SGB326
C	Wear Ring - Impeller Front	ZF Bronze	SGB026
C	Wear Ring - Impeller Front	316SS	SGB326
D	Wear Ring - Volute Casing	ZF Bronze	SGB027
D	Wear Ring - Volute Casing	316SS	SGB327



CENTRIFUGAL PUMPS

ISO-PRO

Code:

PRHC2

Model:

80x50-315

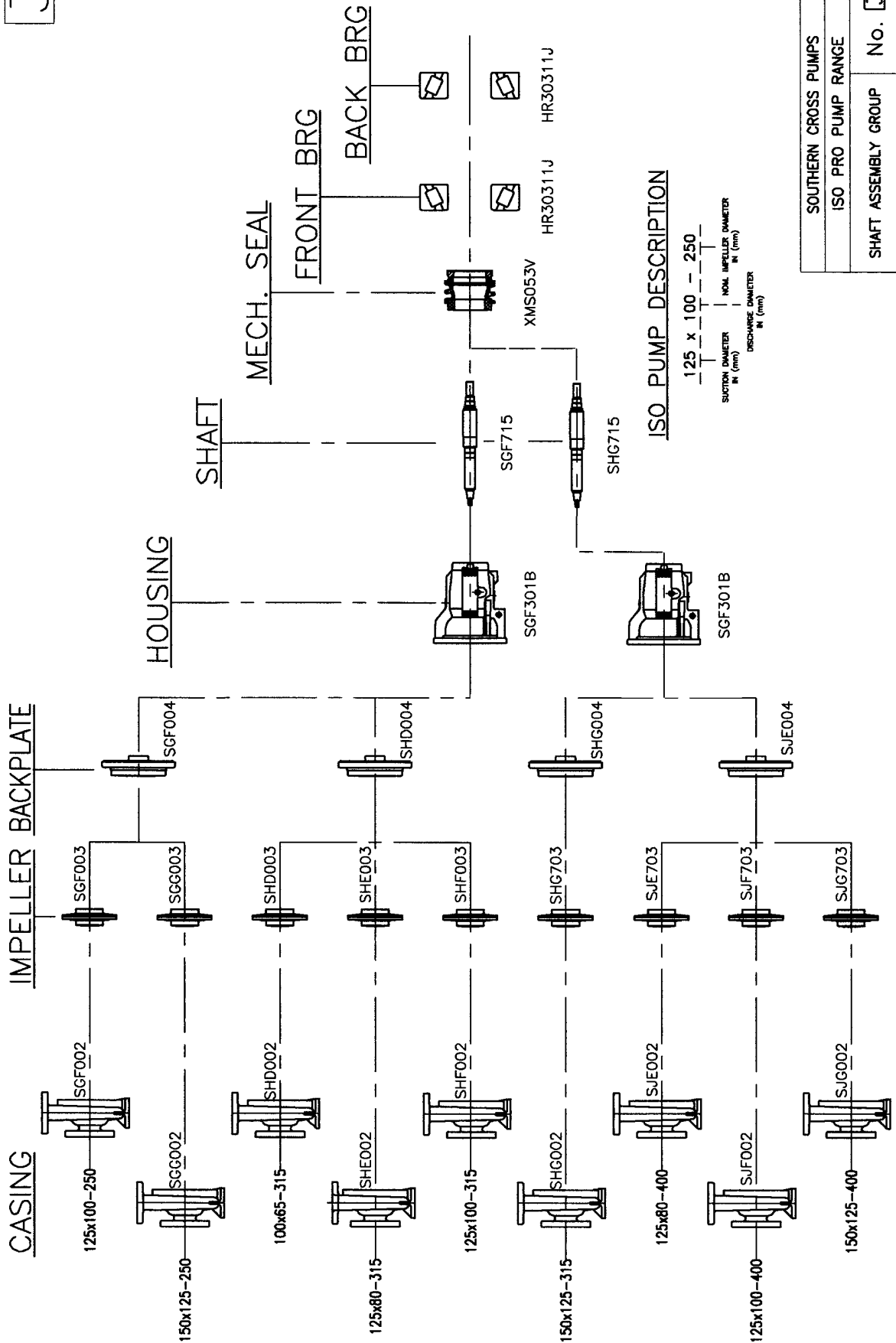
Illus No.	Description	Material	Part no.
Optional Packed Gland			
4	Backplate - Packed Gland	Cast Iron	SHB011
4	Backplate - Packed Gland	ZF Bronze	SHB051
4	Backplate - Packed Gland	316SS	SHB061
-	Packed Gland Kit		PSED65
-	Shaft Sleeve Kit		PSED60
-	Packing Ring Set (5)		SED023
Overhaul Kits			
	Mechanical Seal & O-Ring Kit		PRO2902
	Seal & Bearing Kit		PRO2905

CENTRIFUGAL PUMPS

No. 3 SHAFT MODULE

3

ISO-PRO



SOUTHERN CROSS PUMPS	
ISO PRO PUMP RANGE	
SHAFT ASSEMBLY GROUP	No. 3



CENTRIFUGAL PUMPS

ISO-PRO

No. 3 SHAFT MODULE

Code:	PRGF3	PRGG3	PRHD3
Model:	125x100-250	150x125-250A	100x65-315

Illus No.	Description	Material	Part no.	Part no.	Part no.
301	Bearing Housing	Cast Iron	SGF301B	SGF301B	SGF301B
-	Safety Guard - Left	Galvanised Mild Steel	SGF311L	SGF311L	SGF311L
-	Safety Guard - Right	Galvanised Mild Steel	SGF311R	SGF311R	SGF311R
2	Volute Casing - Table E	Cast Iron	SGF002	SGG002	SHD002
2	Volute Casing - Table E	ZF Bronze	SGF052	SGG052	SHD052
2	Volute Casing - Table E	316SS	SGF062	SGG062	SHD062
53	Impeller	Cast Iron	SGF003	SGG003	SHD003
53	Impeller	ZF Bronze	SGF053	SGG053	SHD053
53	Impeller	316SS	SGF063	SGG063	SHD063
4	Backplate - Mech Seal	Cast Iron	SGF004	SGF004	SHD004
4	Backplate - Mech Seal	ZF Bronze	SGF054	SGF054	SHD054
4	Backplate - Mech Seal	316SS	SGF064	SGF064	SHD064
6	Bearing Cover	Cast Iron	SGF006	SGF006	SGF006
32	Gasket - Bearing Cover	0.5mm Thick	SGF032	SGF032	SGF032
7	Impeller Lock Washer	316SS	SGF007B	SGF007B	SGF007B
508	Support Foot	Mild Steel	SGF508	SGG508	SGF508
11	Oil Thrower	Spring Steel	SGF322	SGF322	SGF322
50	Oil Breather	Zinc Plated Steel	NFA050	NFA050	NFA050
315	Pump Shaft	431SS	SGF715	SGF715	SGF715
315	Pump Shaft	316SS	SGF315	SGF315	SGF315
21	Mechanical Seal	53mm Carbon / Ceramic / Viton	XMS053V	XMS053V	XMS053V
21	Mechanical Seal	53mm Silicon Carbide / Silicon Carbide / Viton	XMS153	XMS153	XMS153
46	Impeller Nut	316SS	SGF046B	SGF046B	SGF046B
102	Pulley Key	Key Steel	SGF102	SGF102	SGF102
E	Volute Drain Plug	Mild Steel - Zinc Plated	489069004	489069006	489069004
E	Volute Drain Plug	316SS	489069204	489069206	489069204
F	Impeller Key	316SS	SGF323	SGF323	SGF323
G	Casing O-ring	Viton Rubber	383007279	383007279	383007279
H	Backplate to Casing Bolt	H/T Steel	-	-	-
I	Brg Hsg to Backplate Bolt	H/T Steel	-	-	-
J	Bearing - Impeller End	(HR30311J) Taper Roller Bearing	477144110	477144110	477144110
K	Dust Seal - Impeller End	(PR8296) Oil Seal	382005071	382005071	382005071
L	Brg Cover to Brg Hsg Bolt	H/T Steel	406102510	406102510	406102510
M	Dust Seal - Pump End	(PR8296) Oil Seal	382005071	382005071	382005071
N	Bearing - Pump End	(HR30311J) Taper Roller Bearing	477144110	477144110	477144110
O	Support Foot to Brg Hsg Bolt	H/T Steel	387148035	387148035	387148035
P	Brg Hsg to Casing Bolt	H/T Steel	387146045	387146045	387146045
Q	Discharge Flange Plug	Mild Steel - Zinc Plated	489069004	489069004	489069004
Q	Discharge Flange Plug	316SS	489069204	489069204	489069204
R	Inlet Flange Plug	Mild Steel - Zinc Plated	489069004	489069004	489069004
R	Inlet Flange Plug	316SS	489069204	489069204	489069204
-	Shim - Bearing (0.8mm)		NJD007X	NJD007X	NJD007X
-	Shim - Bearing (0.25mm)		NJD007Y	NJD007Y	NJD007Y

Optional Wear Rings

A	Wear Ring - Backplate	ZF Bronze	SGF027	SGF027	SFF027
A	Wear Ring - Backplate	316SS	SGF327	SGF327	SFF327
B	Wear Ring - Impeller Rear	ZF Bronze	SGF026	SGF026	SFF026
B	Wear Ring - Impeller Rear	316SS	SGF326	SGF326	SFF326
C	Wear Ring - Impeller Front	ZF Bronze	SGF026	SGF026	SFF026
C	Wear Ring - Impeller Front	316SS	SGF326	SGF326	SFF326
D	Wear Ring - Volute Casing	ZF Bronze	SGF027	SGF027	SFF027
D	Wear Ring - Volute Casing	316SS	SGF327	SGF327	SFF327



CENTRIFUGAL PUMPS

ISO-PRO

Code:	PRGF3	PRGG3	PRHD3
Model:	125x100-250	150x125-250A	100x65-315

Illus No.	Description	Material	Part no.	Part no.	Part no.
Optional Packed Gland					
4	Backplate - Packed Gland	Cast Iron	SGF011	SGF011	SHD011
4	Backplate - Packed Gland	ZF Bronze	SGF051	SGF051	SHD051
4	Backplate - Packed Gland	316SS	SGF061	SGF061	SHD061
-	Packed Gland Kit		PSGF65	PSGF65	PSGF65
-	Shaft Sleeve Kit		PSGF60	PSGF60	PSGF60
-	Packing Ring Set (5)		SGF023	SGF023	SGF023
Overhaul Kits					
	Mechanical Seal & O-Ring Kit		PRO3900	PRO3900	PRO3900
	Seal & Bearing Kit		PRO3902	PRO3902	PRO3902

**CENTRIFUGAL PUMPS****ISO-PRO****No. 3 SHAFT MODULE**

Code:

PRHE3**PRHF3****PRHG3**

Model:

125x80-315**125x100-315****150x125-315**

Illus No.	Description	Material	Part no.	Part no.	Part no.
301	Bearing Housing	Cast Iron	SGF301B	SGF301B	SGF301B
-	Safety Guard - Left	Galvanised Mild Steel	SGF311L	SGF311L	SGF311L
-	Safety Guard - Right	Galvanised Mild Steel	SGF311R	SGF311R	SGF311R
2	Volute Casing - Table E	Cast Iron	SHE002	SHF002	SHG002
2	Volute Casing - Table E	ZF Bronze	SHE052	SHF052	SHG052
2	Volute Casing - Table E	316SS	SHE062	SHF062	SHG062
53	Impeller	Cast Iron	SHE003	SHF003	SHG703
53	Impeller	ZF Bronze	SHE053	SHF053	SHG753
53	Impeller	316ss	SHE063	SHF063	SHG763
4	Backplate - Mech Seal	Cast Iron	SHD004	SHD004	SHG004
4	Backplate - Mech Seal	ZF Bronze	SHD054	SHD054	SHG054
4	Backplate - Mech Seal	316SS	SHD064	SHD064	SHG064
6	Bearing Cover	Cast Iron	SGF006	SGF006	SGF006
32	Gasket - Bearing Cover	0.5mm Thick	SGF032	SGF032	SGF032
7	Impeller Lock Washer	316SS	SGF007B	SGF007B	SHG007B
508	Support Foot	Mild Steel	SGG508	SGG508	SHG508
11	Oil Thrower	Spring Steel	SGF322	SGF322	SGF322
50	Oil Breather	Zinc Plated Steel	NFA050	NFA050	NFA050
315	Pump Shaft	431SS	SGF715	SGF715	SHG715
315	Pump Shaft	316SS	SGF315	SGF315	SHG315
21	Mechanical Seal	53mm Carbon / Ceramic / Viton	XMS053V	XMS053V	XMS053V
21	Mechanical Seal	53mm Silicon Carbide / Silicon Carbide / Viton	XMS153	XMS153	XMS153
46	Impeller Nut	316SS	SGF046B	SGF046B	412651830B
102	Pulley Key	Key Steel	SGF102	SGF102	SGF102
E	Volute Drain Plug	Mild Steel - Zinc Plated	489069004	489069006	489069006
E	Volute Drain Plug	316SS	489069204	489069206	489069206
F	Impeller Key	316SS	SGF323	SGF323	SGF323
G	Casing O-ring	Viton Rubber	383007279	383007279	383007283
H	Backplate to Casing Bolt	H/T Steel	-	-	-
I	Brg Hsg to Backplate Bolt	H/T Steel	-	-	-
J	Bearing - Impeller End	(HR30311J) Taper Roller Bearing	477144110	477144110	477144110
K	Dust Seal - Impeller End	(PR8296) Oil Seal	382005071	382005071	382005071
L	Brg Cover to Brg Hsg Bolt	H/T Steel	406102510	406102510	406102510
M	Dust Seal - Pump End	(PR8296) Oil Seal	382005071	382005071	382005071
N	Bearing - Pump End	(HR30311J) Taper Roller Bearing	477144110	477144110	477144110
O	Support Foot to Brg Hsg Bolt	H/T Steel	387148035	387148035	387148035
P	Brg Hsg to Casing Bolt	H/T Steel	387146045	387146045	387146045
Q	Discharge Flange Plug	Mild Steel - Zinc Plated	489069004	489069004	489069004
Q	Discharge Flange Plug	316SS	489069204	489069204	489069204
R	Inlet Flange Plug	Mild Steel - Zinc Plated	489069004	489069004	489069004
R	Inlet Flange Plug	316SS	489069204	489069204	489069204
-	Shim - Bearing (0.8mm)		NJD007X	NJD007X	NJD007X
-	Shim - Bearing (0.25mm)		NJD007Y	NJD007Y	NJD007Y

Optional Wear Rings

A	Wear Ring - Backplate	ZF Bronze	SFF027	SFF027	SGF027
A	Wear Ring - Backplate	316SS	SFF327	SFF327	SGF327
B	Wear Ring - Impeller Rear	ZF Bronze	SFF026	SFF026	SGF026
B	Wear Ring - Impeller Rear	316SS	SFF326	SFF326	SGF326
C	Wear Ring - Impeller Front	ZF Bronze	SFF026	SFF026	SGF026
C	Wear Ring - Impeller Front	316SS	SFF326	SFF326	SGF326
D	Wear Ring - Volute Casing	ZF Bronze	SFF027	SFF027	SGF027
D	Wear Ring - Volute Casing	316SS	SFF327	SFF327	SGF327



CENTRIFUGAL PUMPS

ISO-PRO

Code:	PRHE3	PRHF3	PRHG3
Model:	125x80-315	125x100-315	150x125-315

Illus No.	Description	Material	Part no.	Part no.	Part no.
Optional Packed Gland					
4	Backplate - Packed Gland	Cast Iron	SHD011	SHD011	SHG011
4	Backplate - Packed Gland	ZF Bronze	SHD051	SHD051	SHG051
4	Backplate - Packed Gland	316SS	SHD061	SHD061	SHG061
-	Packed Gland Kit		PSGF65	PSGF65	PRHG65
-	Shaft Sleeve Kit		PSGF60	PSGF60	PSHG60
-	Packing Ring Set (5)		SGF023	SGF023	SGF023
Overhaul Kits					
	Mechanical Seal & O-Ring Kit		PRO3900	PRO3900	PRO3900
	Seal & Bearing Kit		PRO3902	PRO3902	PRO3902

**CENTRIFUGAL PUMPS****ISO-PRO****No. 3 SHAFT MODULE**

Code:

PRJE3**PRJF3****PRJG3**

Model:

125x80-400**125x100-400****150x125-400**

Illus No.	Description	Material	Part no.	Part no.	Part no.
301	Bearing Housing	Cast Iron	SGF301B	SGF301B	SGF301B
-	Safety Guard - Left	Galvanised Mild Steel	SGF311L	SGF311L	SGF311L
-	Safety Guard - Right	Galvanised Mild Steel	SGF311R	SGF311R	SGF311R
2	Volute Casing - Table E	Cast Iron	SJE002	SJF002	SJG002
2	Volute Casing - Table E	ZF Bronze	SJE052	SJF052	SJG052
2	Volute Casing - Table E	316SS	SJE062	SJF062	SJG062
53	Impeller	Cast Iron	SJE703	SJF703	SJG703
53	Impeller	ZF Bronze	SJE753	SJF753	SJG753
53	Impeller	316SS	SJE763	SJF763	SJG763
4	Backplate - Mech Seal	Cast Iron	SJE004	SJE004	SJE004
4	Backplate - Mech Seal	ZF Bronze	SJE054	SJE054	SJE054
4	Backplate - Mech Seal	316SS	SJE064	SJE064	SJE064
6	Bearing Cover	Cast Iron	SGF006	SGF006	SGF006
32	Gasket - Bearing Cover	0.5mm Thick	SGF032	SGF032	SGF032
7	Impeller Lock Washer	316SS	SHG007B	SHG007B	SHG007B
508	Support Foot	Mild Steel	SHG508	SHG508	SJG508
11	Oil Thrower	Spring Steel	SGF322	SGF322	SGF322
50	Oil Breather	Zinc Plated Steel	NFA050	NFA050	NFA050
315	Pump Shaft	431SS	SHG715	SHG715	SHG715
315	Pump Shaft	316SS	SHG315	SHG315	SHG315
21	Mechanical Seal	53mm Carbon / Ceramic / Viton	XMS053V	XMS053V	XMS053V
21	Mechanical Seal	53mm Silicon Carbide / Silicon Carbide / Viton	XMS153	XMS153	XMS153
46	Impeller Nut	316SS	SHG046B	SHG046B	SHG046B
102	Pulley Key	Key Steel	SGF102	SGF102	SGF102
E	Volute Drain Plug	Mild Steel - Zinc Plated	489069006	489069006	489069006
E	Volute Drain Plug	316SS	489069206	489069206	489069206
F	Impeller Key	316SS	SGF323	SGF323	SGF323
G	Casing O-ring	Viton Rubber	383007283	383007283	383007283
H	Backplate to Casing Bolt	H/T Steel	406102561	406102561	406102561
I	Brg Hsg to Backplate Bolt	H/T Steel	406102510	406102510	406102510
J	Bearing - Impeller End	(HR30311J) Taper Roller Bearing	477144110	477144110	477144110
K	Dust Seal - Impeller End	(PR8296) Oil Seal	382005071	382005071	382005071
L	Brg Cover to Brg Hsg Bolt	H/T Steel	406102510	406102510	406102510
M	Dust Seal - Pump End	(PR8296) Oil Seal	382005071	382005071	382005071
N	Bearing - Pump End	(HR30311J) Taper Roller Bearing	477144110	477144110	477144110
O	Support Foot to Brg Hsg Bolt	H/T Steel	387148035	387148035	387148035
P	Brg Hsg to Casing Bolt	H/T Steel	-	-	-
Q	Discharge Flange Plug	Mild Steel - Zinc Plated	489069004	489069004	489069004
Q	Discharge Flange Plug	316SS	489069204	489069204	489069204
R	Inlet Flange Plug	Mild Steel - Zinc Plated	489069004	489069004	489069004
R	Inlet Flange Plug	316SS	489069204	489069204	489069204
-	Shim - Bearing (0.8mm)		NJD007X	NJD007X	NJD007X
-	Shim - Bearing (0.25mm)		NJD007Y	NJD007Y	NJD007Y

Optional Wear Rings

A	Wear Ring - Backplate	ZF Bronze	SGF027	SGF027	SGF027
A	Wear Ring - Backplate	316SS	SGF327	SGF327	SGF327
B	Wear Ring - Impeller Rear	ZF Bronze	SGF026	SGF026	SGF026
B	Wear Ring - Impeller Rear	316SS	SGF326	SGF326	SGF326
C	Wear Ring - Impeller Front	ZF Bronze	SGF026	SGF026	SGF026
C	Wear Ring - Impeller Front	316SS	SGF326	SGF326	SGF326
D	Wear Ring - Volute Casing	ZF Bronze	SGF027	SGF027	SGF027
D	Wear Ring - Volute Casing	316SS	SGF327	SGF327	SGF327



CENTRIFUGAL PUMPS

ISO-PRO

Code:	PRJE3	PRJF3	PRJG3
Model:	125x80-400	125x100-400	150x125-400

Illus No.	Description	Material	Part no.	Part no.	Part no.
Optional Packed Gland					
4	Backplate - Packed Gland	Cast Iron	SJE011	SJE011	SJE011
4	Backplate - Packed Gland	ZF Bronze	SJE051	SJE051	SJE051
4	Backplate - Packed Gland	316SS	SJE061	SJE061	SJE061
-	Packed Gland Kit		PRHG65	PRHG65	PRHG65
-	Shaft Sleeve Kit		PSHG60	PSHG60	PSHG60
-	Packing Ring Set (5)		SGF023	SGF023	SGF023
Overhaul Kits					
	Mechanical Seal & O-Ring Kit		PRO3901	PRO3901	PRO3901
	Seal & Bearing Kit		PRO3903	PRO3903	PRO3903

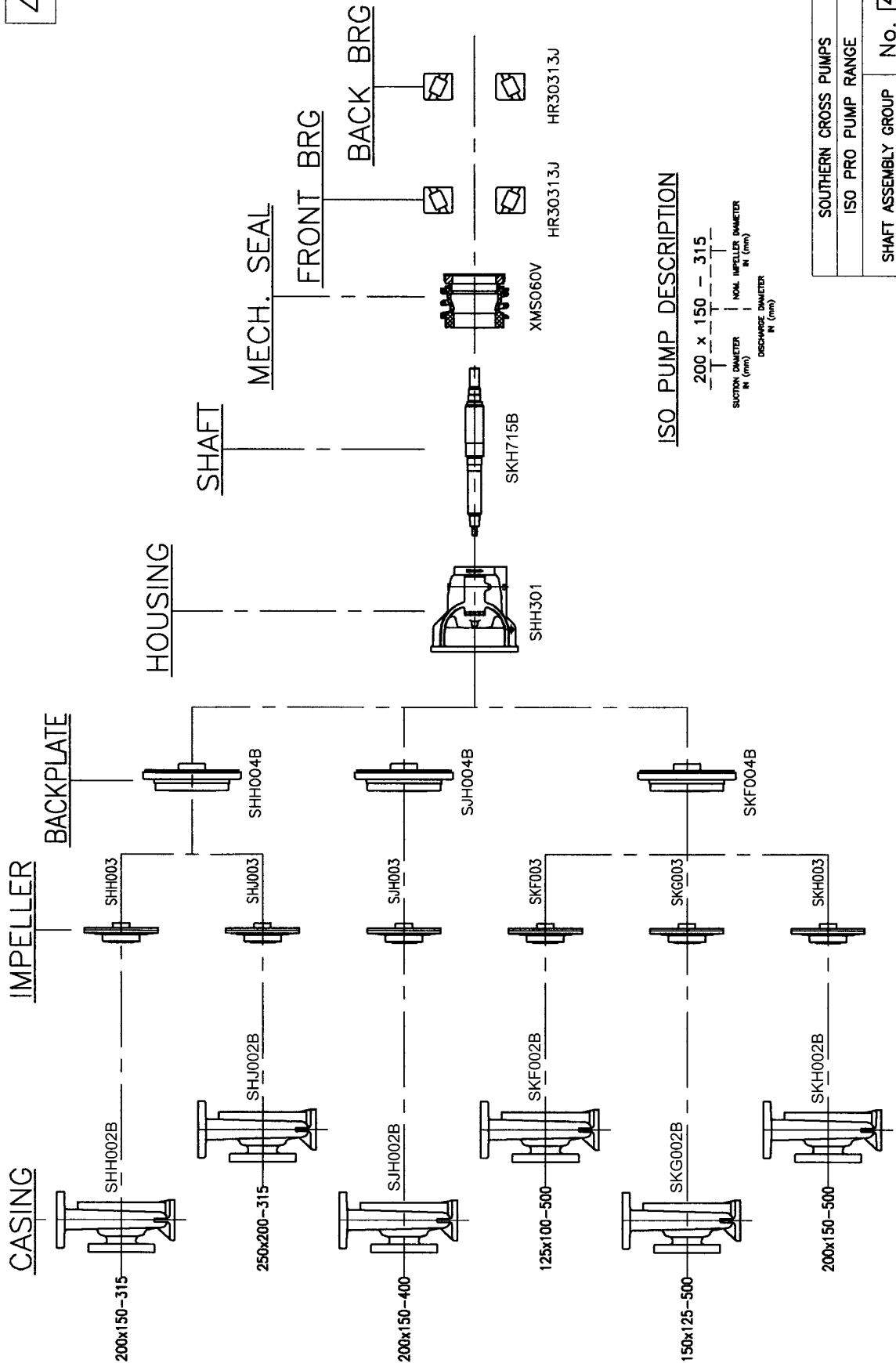


CENTRIFUGAL PUMPS

ISO-PRO

No. 4 SHAFT MODULE
REAR PUMPOUT VANE IMPELLER DESIGN

4



SOUTHERN CROSS PUMPS
ISO PRO PUMP RANGE
SHAFT ASSEMBLY GROUP No. 4

**CENTRIFUGAL PUMPS****ISO-PRO****No. 4 SHAFT MODULE**

Code:

Model:

PRHH4 STD	PRHH4 RNR	PRHJ4 STD	PRHJ4 RNR
250x150- 315	250x150- 315	250x200- 315	250x200- 315

Illus No.	Description	Material	Part no.	Part no.	Part no.	Part no.
301	Bearing Housing	Cast Iron	SHH301	SHH301	SHH301	SHH301
-	Safety Guard - Left	Galvanised Mild Steel	SHH310	SHH310	SHH310	SHH310
-	Safety Guard - Right	Galvanised Mild Steel	SHH310	SHH310	SHH310	SHH310
-	Safety Guard Bolt	M12x20 G8.8 ZP	387148020	387148020	387148020	387148020
-	Safety Guard Washer	Flat Round M12 ZP	413035012	413035012	413035012	413035012
2	Volute Casing - Table E	Cast Iron	SHH002B	SHH002B	SHJ002B	SHJ002B
2	Volute Casing - Table E	ZF Bronze	SHH052	SHH052	SHJ052	SHJ052
2	Volute Casing - Table E	316SS	SHH062	SHH062	SHJ062	SHJ062
53	Impeller	Cast Iron	SHH003	SHH003C	SHJ003	SHJ003C
53	Impeller	ZF Bronze	SHH053	SHH053C	SHJ053	SHJ053C
53	Impeller	316SS	SHH063	SHH063C	SHJ063	SHJ063C
4	Backplate - Mech Seal	Cast Iron	SHH004B	SHH004C	SHH004B	SHH004C
4	Backplate - Mech Seal	ZF Bronze	SHH054	SHH054C	SHH054	SHH054C
4	Backplate - Mech Seal	316SS	SHH064	SHH064C	SHH064	SHH064C
6	Bearing Cover	Cast Iron	SHH006	SHH006	SHH006	SHH006
7	Impeller Lock Washer	316SS	SHH007B	SHH007B	SHH007B	SHH007B
508	Support Foot	Mild Steel	SHH508	SHH508	SHH508	SHH508
11	Oil Thrower	Spring Steel	NHG011	NHG011	NHG011	NHG011
50	Oil Breather	Zinc Plated Steel	NFA050	NFA050	NFA050	NFA050
315	Pump Shaft	431SS	SKH715B	SKH715B	SKH715B	SKH715B
315	Pump Shaft	316SS	SKH315B	SKH315B	SKH315B	SKH315B
21	Mechanical Seal	60mm Carbon / Ceramic / Viton	XMS060V	XMS060V	XMS060V	XMS060V
21	Mechanical Seal	60mm Silicon Carbide / Silicon Carbide / Viton	XMS160	XMS160	XMS160	XMS160
46	Impeller Nut	316ss	SKH046B	SKH046B	SKH046B	SKH046B
102	Pulley Key	Key Steel	SKH102B	SKH102B	SKH102B	SKH102B
E	Volute Drain Plug	Mild Steel - Zinc Plated	489069008	489069008	489069008	489069008
E	Volute Drain Plug	316SS	489069208	489069208	489069208	489069208
F	Impeller Key	316SS	SHH323	SHH323	SHH323	SHH323
G	Casing O-ring	Viton Rubber	383007455	383007455	383007455	383007455
H	Backplate to Casing Bolt	(HR30313J) Taper Roller Bearing	-	-	-	-
I	Brg Hsg to Backplate Bolt	H/T Steel	387154050	387154050	387154050	387154050
J	Bearing - Impeller End	(HR30313J) Taper Roller Bearing	477144130	477144130	477144130	477144130
K	Dust Seal - Impeller End	(PR3623) Oil Seal	382001040	382001040	382001040	382001040
L	Brg Cover to Brg Hsg Bolt	H/T Steel	406102561	406102561	406102561	406102561
M	Dust Seal - Pump End	(PR3623) Oil Seal	382001040	382001040	382001040	382001040
N	Bearing - Pump End	(HR30313J) Taper Roller Bearing	477144130	477144130	477144130	477144130
O	Support Foot to Brg Hsg Bolt	H/T Steel	387148035	387148035	387148035	387148035
P	Brg Hsg to Casing Bolt	H/T Steel	387154050	387154050	387154050	387154050
Q	Discharge Flange Plug	Mild Steel - Zinc Plated	489069006	489069006	489069006	489069006
Q	Discharge Flange Plug	316SS	489069206	489069206	489069206	489069206
R	Inlet Flange Plug	Mild Steel - Zinc Plated	489069006	489069006	489069006	489069006
R	Inlet Flange Plug	316SS	489069206	489069206	489069206	489069206
S	Shim - Bearing (0.25mm)		SHH009X	SHH009X	SHH009X	SHH009X
S	Shim - Bearing (0.08mm)		SHH009Y	SHH009Y	SHH009Y	SHH009Y
-	Bearing Cap O-Ring	Viton Rubber	383007032	383007032	383007032	383007032



CENTRIFUGAL PUMPS

ISO-PRO

Code:	PRHH4 STD	PRHH4 RNR	PRHJ4 STD	PRHJ4 RNR
Model:	250x150- 315	250x150- 315	250x200- 315	250x200- 315

Illus No.	Description	Material	Part no.	Part no.	Part no.	Part no.
Optional Wear Rings						
A	Wear Ring - Backplate	ZF Bronze	N/A	SHJ027	N/A	SHJ027
A	Wear Ring - Backplate	316SS	N/A	SHJ327	N/A	SHJ327
B	Wear Ring - Impeller Rear	ZF Bronze	N/A	SHJ026	N/A	SHJ026
B	Wear Ring - Impeller Rear	316SS	N/A	SHJ326	N/A	SHJ326
C	Wear Ring - Impeller Front	ZF Bronze	N/A	SHH026	N/A	SHJ026
C	Wear Ring - Impeller Front	316SS	N/A	SHH326	N/A	SHJ326
D	Wear Ring - Volute Casing	ZF Bronze	SHH027	SHH027	SHJ027	SHJ027
D	Wear Ring - Volute Casing	316SS	SHH327	SHH327	SHJ327	SHJ327

Illus No.	Description	Material	Part no.	Part no.	Part no.	Part no.
Optional Packed Gland						
4	Backplate - Packed Gland	Cast Iron	SHH011	SHH011C	SHH011	SHH011C
4	Backplate - Packed Gland	ZF Bronze	SHH051	SHH051C	SHH051	SHH051C
4	Backplate - Packed Gland	316SS	SHH061	SHH061C	SHH061	SHH061C
-	Packed Gland Kit		PSHH65	PSHH65	PSHH65	PSHH65
-	Shaft Sleeve Kit		PSHH60	PSHH60	PSHH60	PSHH60
-	Packing Ring Set (5)		SHH023	SHH023	SHH023	SHH023

Overhaul Kits						
	Mechanical Seal & O-Ring Kit		PRO4900	PRO4900	PRO4900	PRO4900
	Seal & Bearing Kit		PRO4903	PRO4903	PRO4903	PRO4903

**CENTRIFUGAL PUMPS****ISO-PRO****No. 4 SHAFT MODULE**

Code:

Model:

PRJH4 STD	PRJH4 RNR	PRKF4 STD	PRKF4 RNR
200x150- 400	200x150- 400	125x100- 500	125x100- 500

Illus No.	Description	Material	Part no.	Part no.	Part no.	Part no.
301	Bearing Housing	Cast Iron	SHH301	SHH301	SHH301	SHH301
-	Safety Guard - Left	Galvanised Mild Steel	SHH310	SHH310	SHH310	SHH310
-	Safety Guard - Right	Galvanised Mild Steel	SHH310	SHH310	SHH310	SHH310
-	Safety Guard Bolt	M12x20 G8.8 ZP	387148020	387148020	387148020	387148020
-	Safety Guard Washer	Flat Round M12 ZP	413035012	413035012	413035012	413035012
2	Volute Casing - Table E	Cast Iron	SJH002B	SJH002B	SKF002B	SKF002B
2	Volute Casing - Table E	ZF Bronze	SJH052	SJH052	SKF052	SKF052
2	Volute Casing - Table E	316SS	SJH062	SJH062	SKF062	SKF062
53	Impeller	Cast Iron	SJH003	SJH003C	SKF003	SKF003C
53	Impeller	ZF Bronze	SJH053	SJH053C	SKF053	SKF053C
53	Impeller	316SS	SJH063	SJH063C	SKF063	SKF063C
4	Backplate - Mech Seal	Cast Iron	SJH004B	SJH004C	SKF004B	SKF004C
4	Backplate - Mech Seal	ZF Bronze	SJH054	SJH054C	SKF054	SKF054C
4	Backplate - Mech Seal	316SS	SJH064	SJH064C	SKF064	SKF064C
6	Bearing Cover	Cast Iron	SHH006	SHH006	SHH006	SHH006
7	Impeller Lock Washer	316SS	SHH007B	SHH007B	SHH007B	SHH007B
508	Support Foot	Mild Steel	SHH508	SHH508	SJJ508	SJJ508
11	Oil Thrower	Spring Steel	NHG011	NHG011	NHG011	NHG011
50	Oil Breather	Zinc Plated Steel	NFA050	NFA050	NFA050	NFA050
315	Pump Shaft	431SS	SKH715B	SKH715B	SKH715B	SKH715B
315	Pump Shaft	316SS	SKH315B	SKH315B	SKH315B	SKH315B
21	Mechanical Seal	60mm Carbon / Ceramic / Viton	XMS060V	XMS060V	XMS060V	XMS060V
21	Mechanical Seal	60mm Silicon Carbide / Silicon Carbide / Viton	XMS160	XMS160	XMS160	XMS160
46	Impeller Nut	316SS	SKH046B	SKH046B	SKH046B	SKH046B
102	Pulley Key	Key Steel	SKH102B	SKH102B	SKH102B	SKH102B
E	Volute Drain Plug	Mild Steel - Zinc Plated	489069008	489069008	489069008	489069008
E	Volute Drain Plug	316SS	489069208	489069208	489069208	489069208
F	Impeller Key	316SS	SHH323	SHH323	SHH323	SHH323
G	Casing O-ring	Viton Rubber	383007463	383007463	383007470	383007470
H	Backplate to Casing Bolt	(HR30313J) Taper Roller Bearing	387158050	387158050	387158050	387158050
I	Brg Hsg to Backplate Bolt	H/T Steel	387154050	387154050	387154050	387154050
J	Bearing - Impeller End	(HR30313J) Taper Roller Bearing	477144130	477144130	477144130	477144130
K	Dust Seal - Impeller End	(PR3623) Oil Seal	382001040	382001040	382001040	382001040
L	Brg Cover to Brg Hsg Bolt	H/T Steel	406102561	406102561	406102561	406102561
M	Dust Seal - Pump End	(PR3623) Oil Seal	382001040	382001040	382001040	382001040
N	Bearing - Pump End	(HR30313J) Taper Roller Bearing	477144130	477144130	477144130	477144130
O	Support Foot to Brg Hsg Bolt	H/T Steel	387148035	387148035	387148035	387148035
P	Brg Hsg to Casing Bolt	H/T Steel	-	-	-	-
Q	Discharge Flange Plug	Mild Steel - Zinc Plated	489069006	489069006	489069006	489069006
Q	Discharge Flange Plug	316SS	489069206	489069206	489069206	489069206
R	Inlet Flange Plug	Mild Steel - Zinc Plated	489069006	489069006	489069006	489069006
R	Inlet Flange Plug	316SS	489069206	489069206	489069206	489069206
S	Shim - Bearing (0.25mm)		SHH009X	SHH009X	SHH009X	SHH009X
S	Shim - Bearing (0.08mm)		SHH009Y	SHH009Y	SHH009Y	SHH009Y
-	Bearing Cap O-Ring	Viton Rubber	383007032	383007032	383007032	383007032

**CENTRIFUGAL PUMPS****ISO-PRO**

PRJH4 STD 200x150- 400	PRJH4 RNR 200x150- 400	PRKF4 STD 125x100- 500	PRKF4 RNR 125x100- 500
---	---	---	---

Illus No.	Description	Material	Part no.	Part no.	Part no.	Part no.
Optional Wear Rings						
A	Wear Ring - Backplate	ZF Bronze	N/A	SHH027	N/A	SHH027
A	Wear Ring - Backplate	316SS	N/A	SHH327	N/A	SHH327
B	Wear Ring - Impeller Rear	ZF Bronze	N/A	SHH026	N/A	SHH026
B	Wear Ring - Impeller Rear	316SS	N/A	SHH326	N/A	SHH326
C	Wear Ring - Impeller Front	ZF Bronze	N/A	SHH026	N/A	SKG026
C	Wear Ring - Impeller Front	316SS	N/A	SHH326	N/A	SKG326
D	Wear Ring - Volute Casing	ZF Bronze	SHH027	SHH027	SKF027	SKG027
D	Wear Ring - Volute Casing	316SS	SHH327	SHH327	SKF327	SKG327

Optional Packed Gland						
Illus No.	Description	Material	Part no.	Part no.	Part no.	Part no.
4	Backplate - Packed Gland	Cast Iron	SJH011	SJH011C	SKF011	SKF011C
4	Backplate - Packed Gland	ZF Bronze	SJH051	SJH051C	SKF051	SKF051C
4	Backplate - Packed Gland	316SS	SJH061	SJH061C	SKF061	SKF061C
-	Packed Gland Kit		PSHH65	PSHH65	PSHH65	PSHH65
-	Shaft Sleeve Kit		PSHH60	PSHH60	PSHH60	PSHH60
-	Packing Ring Set (5)		SHH023	SHH023	SHH023	SHH023

Overhaul Kits						
	Mechanical Seal & O-Ring Kit		PRO4902	PRO4902	PRO4901	PRO4901
	Seal & Bearing Kit		PRO4905	PRO4905	PRO4904	PRO4904

**CENTRIFUGAL PUMPS****ISO-PRO****No. 4 SHAFT MODULE**

Code:

**PRKG4
STD****PRKG4
RNR****PRKH4
STD****PRKH4
RNR**

Model:

**150x125-
500****150x125-
500****200x150-
500****200x150-
500**

Illus No.	Description	Material	Part no.	Part no.	Part no.	Part no.
301	Bearing Housing	Cast Iron	SHH301	SHH301	SHH301	SHH301
-	Safety Guard - Left	Galvanised Mild Steel	SHH310	SHH310	SHH310	SHH310
-	Safety Guard - Right	Galvanised Mild Steel	SHH310	SHH310	SHH310	SHH310
-	Safety Guard Bolt	M12x20 G8.8 ZP	387148020	387148020	387148020	387148020
-	Safety Guard Washer	Flat Round M12 ZP	413035012	413035012	413035012	413035012
2	Volute Casing - Table E	Cast Iron	SKG002B	SKG002B	SKH002B	SKH002B
2	Volute Casing - Table E	ZF Bronze	SKG052	SKG052	SKH052	SKH052
2	Volute Casing - Table E	316SS	SKG062	SKG062	SKH062	SKH062
53	Impeller	Cast Iron	SKG003	SKG003C	SKH003	SKH003C
53	Impeller	ZF Bronze	SKG053	SKG053C	SKH053	SKH053C
53	Impeller	316SS	SKG063	SKG063C	SKH063	SKH063C
4	Backplate - Mech Seal	Cast Iron	SKF004B	SKF004C	SKF004B	SKF004C
4	Backplate - Mech Seal	ZF Bronze	SKF054	SKF054C	SKF054	SKF054C
4	Backplate - Mech Seal	316SS	SKF064	SKF064C	SKF064	SKF064C
6	Bearing Cover	Cast Iron	SHH006	SHH006	SHH006	SHH006
7	Impeller Lock Washer	316SS	SHH007B	SHH007B	SHH007B	SHH007B
508	Support Foot	Mild Steel	SJJ508	SJJ508	SJK508	SJK508
11	Oil Thrower	Spring Steel	NHG011	NHG011	NHG011	NHG011
50	Oil Breather	Zinc Plated Steel	NFA050	NFA050	NFA050	NFA050
315	Pump Shaft	431SS	SKH715B	SKH715B	SKH715B	SKH715B
315	Pump Shaft	316SS	SKH315B	SKH315B	SKH315B	SKH315B
21	Mechanical Seal	60mm Carbon / Ceramic / Viton	XMS060V	XMS060V	XMS060V	XMS060V
21	Mechanical Seal	60mm Silicon Carbide / Silicon Carbide / Viton	XMS160	XMS160	XMS160	XMS160
46	Impeller Nut	316SS	SKH046B	SKH046B	SKH046B	SKH046B
102	Pulley Key	Key Steel	SKH102B	SKH102B	SKH102B	SKH102B
E	Volute Drain Plug	Mild Steel - Zinc Plated	489069008	489069008	489069008	489069008
E	Volute Drain Plug	316SS	489069208	489069208	489069208	489069208
F	Impeller Key	316SS	SHH323	SHH323	SHH323	SHH323
G	Casing O-ring	Viton Rubber	383007470	383007470	383007470	383007470
H	Backplate to Casing Bolt	(HR30313J) Taper Roller Bearing	387158050	387158050	387158050	387158050
I	Brg Hsg to Backplate Bolt	H/T Steel	387154050	387154050	387154050	387154050
J	Bearing - Impeller End	(HR30313J) Taper Roller Bearing	477144130	477144130	477144130	477144130
K	Dust Seal - Impeller End	(PR3623) Oi I Seal	382001040	382001040	382001040	382001040
L	Brg Cover to Brg Hsg Bolt	H/T Steel	406102561	406102561	406102561	406102561
M	Dust Seal - Pump End	(PR3623) Oil Seal	382001040	382001040	382001040	382001040
N	Bearing - Pump End	(HR30313J) Taper Roller Bearing	477144130	477144130	477144130	477144130
O	Support Foot to Brg Hsg Bolt	H/T Steel	387148035	387148035	387148035	387148035
P	Brg Hsg to Casing Bolt	H/T Steel	-	-	-	-
Q	Discharge Flange Plug	Mild Steel - Zinc Plated	489069006	489069006	489069006	489069006
Q	Discharge Flange Plug	316SS	489069206	489069206	489069206	489069206
R	Inlet Flange Plug	Mild Steel - Zinc Plated	489069006	489069006	489069006	489069006
R	Inlet Flange Plug	316SS	489069206	489069206	489069206	489069206
S	Shim - Bearing (0.25mm)		SHH009X	SHH009X	SHH009X	SHH009X
S	Shim - Bearing (0.08mm)		SHH009Y	SHH009Y	SHH009Y	SHH009Y
-	Bearing Cap O-Ring	Viton Rubber	383007032	383007032	383007032	383007032

**CENTRIFUGAL PUMPS****ISO-PRO**

Code:	PRKG4 STD	PRKG4 RNR	PRKH4 STD	PRKH4 RNR
Model:	150x125- 500	150x125- 500	200x150- 500	200x150- 500

Illus No.	Description	Material	Part no.	Part no.	Part no.	Part no.
Optional Wear Rings						
A	Wear Ring - Backplate	ZF Bronze	N/A	SHH027	N/A	SHH027
A	Wear Ring - Backplate	316SS	N/A	SHH327	N/A	SHH327
B	Wear Ring - Impeller Rear	ZF Bronze	N/A	SHH026	N/A	SHH026
B	Wear Ring - Impeller Rear	316SS	N/A	SHH326	N/A	SHH326
C	Wear Ring - Impeller Front	ZF Bronze	N/A	SKG026	N/A	SHH026
C	Wear Ring - Impeller Front	316SS	N/A	SKG326	N/A	SHH326
D	Wear Ring - Volute Casing	ZF Bronze	SKG027	SKG027	SHH027	SHH027
D	Wear Ring - Volute Casing	316SS	SKG327	SKG327	SHH327	SHH327

Optional Packed Gland						
Illus No.	Description	Material	Part no.	Part no.	Part no.	Part no.
4	Backplate - Packed Gland	Cast Iron	SKF011	SKF011C	SKF011	SKF011C
4	Backplate - Packed Gland	ZF Bronze	SKF051	SKF051C	SKF051	SKF051C
4	Backplate - Packed Gland	316SS	SKF061	SKF061C	SKF061	SKF061C
-	Packed Gland Kit		PSHH65	PSHH65	PSHH65	PSHH65
-	Shaft Sleeve Kit		PSHH60	PSHH60	PSHH60	PSHH60
-	Packing Ring Set (5)		SHH023	SHH023	SHH023	SHH023

Overhaul Kits						
	Mechanical Seal & O-Ring Kit		PRO4901	PRO4901	PRO4901	PRO4901
	Seal & Bearing Kit		PRO4904	PRO4904	PRO4904	PRO4904