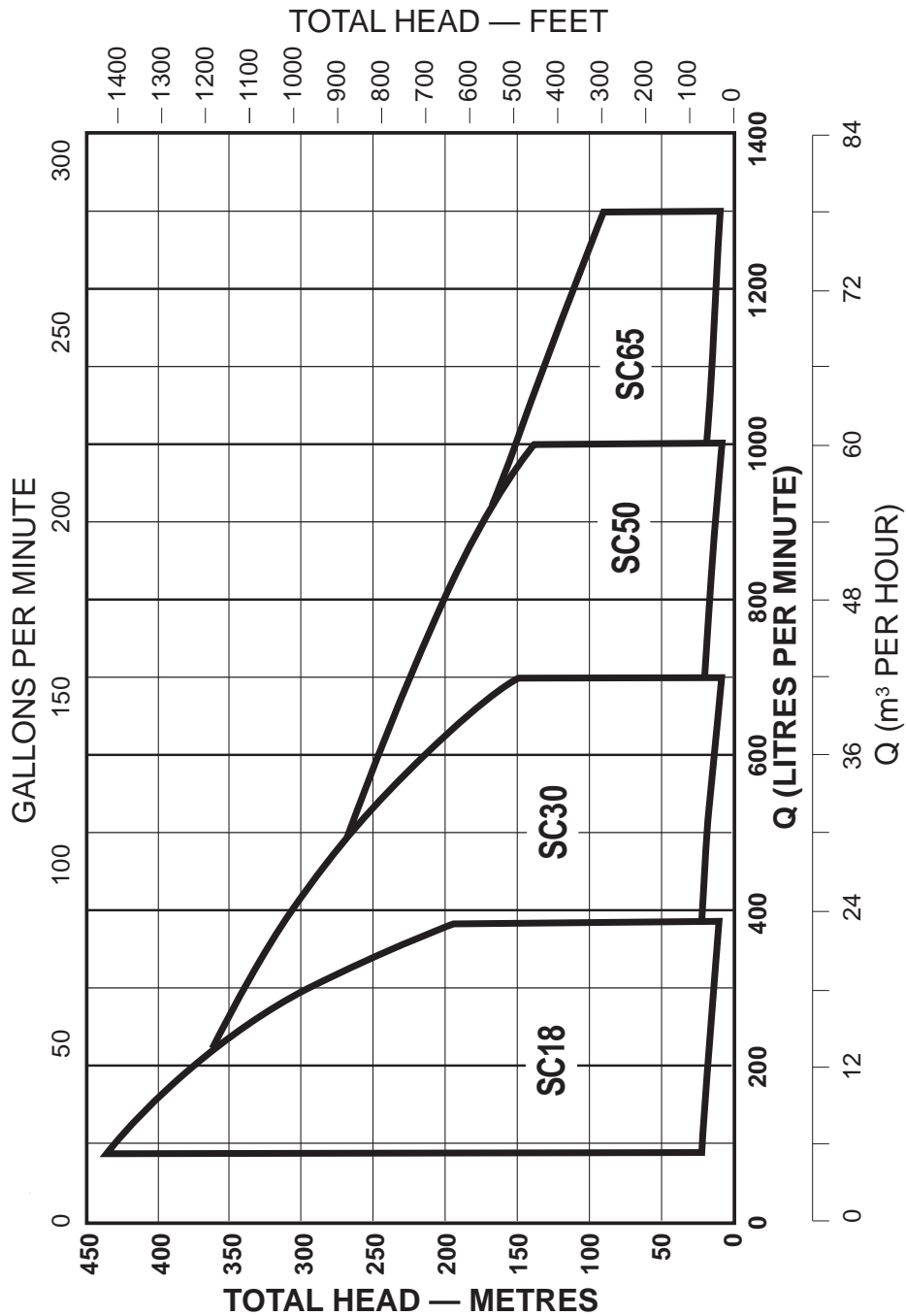




“SC” Series
6 inch (150mm)
Submersible Borehole Pumps

**Selection
Chart**

PERFORMANCE DATA

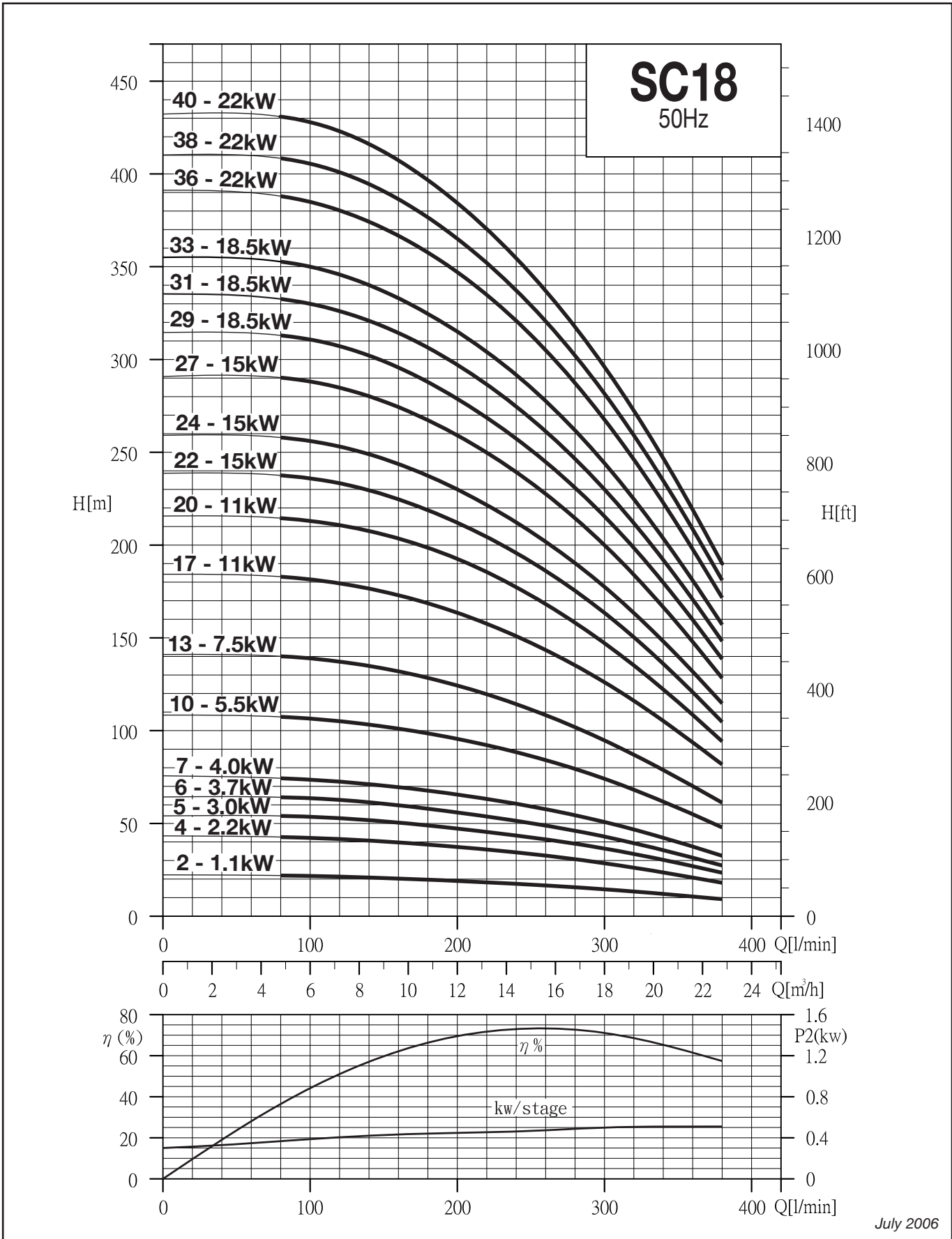




"SC" Series
6 inch (150mm)
Submersible Borehole Pumps

MODEL
SC18

PERFORMANCE DATA

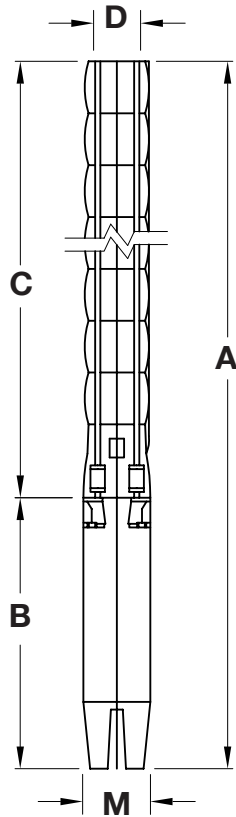


MODEL
SC18

“SC” Series
6 inch (150mm)
Submersible Borehole Pumps



TECHNICAL DATA



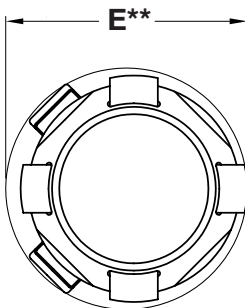
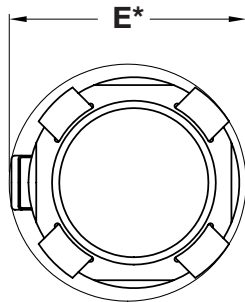
SC18 DIMENSIONS & WEIGHTS

MODEL	NO. OF STAGES	MOTOR		DIMENSIONS (mm)							MASS (kg)	
		kW	DIAM	A	B	C	D	E*	E**	M	PUMP	MOTOR
SC18-02	2	1.1	4"	701	298	403	2 1/2" BSPF	131		96	6.4	11
SC18-04	4	2.2	4"	932	408	524		131		96	9.3	16
SC18-05	5	3.0	4"	1034	449	585		131		96	10.8	19
SC18-06	6	3.7	4"	1208	563	645		131		96	12.2	25
SC18-07	7	4.0	4"	1269	563	706		131		96	13.7	25
SC18-10	10	5.5	4"	1602	715	887		131		96	18	32
SC18-13	13	7.5	6"	1715	646	1069		142	142	138	22.4	52
SC18-17	17	11	6"	2022	711	1311		142	142	138	28.2	58
SC18-20	20	11	6"	2203	711	1492		142	142	138	32.5	58
SC18-22	22	15	6"	2389	776	1613		142	142	138	35.4	64
SC18-24	24	15	6"	2510	776	1734		142	142	138	38.3	64
SC18-27	27	15	6"	2692	776	1916		142	142	138	42.7	64
SC18-29	29	18.5	6"	2878	841	2037		142	142	138	45.6	70
SC18-31	31	18.5	6"	2999	841	2158		142	142	138	48.5	70
SC18-33	33	18.5	6"	3120	841	2279		142	142	138	51.4	70
SC18-36	36	22	6"	3366	906	2460		142	142	138	55.7	76
SC18-38	38	22	6"	3487	906	2581	142	142	138	58.6	76	
SC18-40	40	22	6"	3608	906	2702	142	142	138	61.5	76	

E*: Maximum diameter of pump with single motor cable.
E**: Maximum diameter of pump with two motor cables.
Motor dimensions are for standard Franklin Motors.

**ELECTRICAL DATA 4 & 6 INCH MOTORS
415V 50 Hz 3 PHASE**

MOTOR kW	THRUST kg	FULL LOAD AMPS	NOMINAL RPM	LOCK ROTOR AMPS
4 INCH FRANKLIN MOTORS				
1.1	680	3.0	2875	14
2.2	680	6.0	2875	27
3.0	680	7.3	2875	42
3.7	680	9.0	2875	46
4.0	680	10.4	2875	59
5.5	680	13.0	2875	70
6 INCH FRANKLIN MOTORS				
7.5	1600	16.2	2875	91
11	1600	24.1	2875	133
15	1600	31.0	2875	174
18.5	1600	38.5	2875	215
22	1600	45.5	2875	278

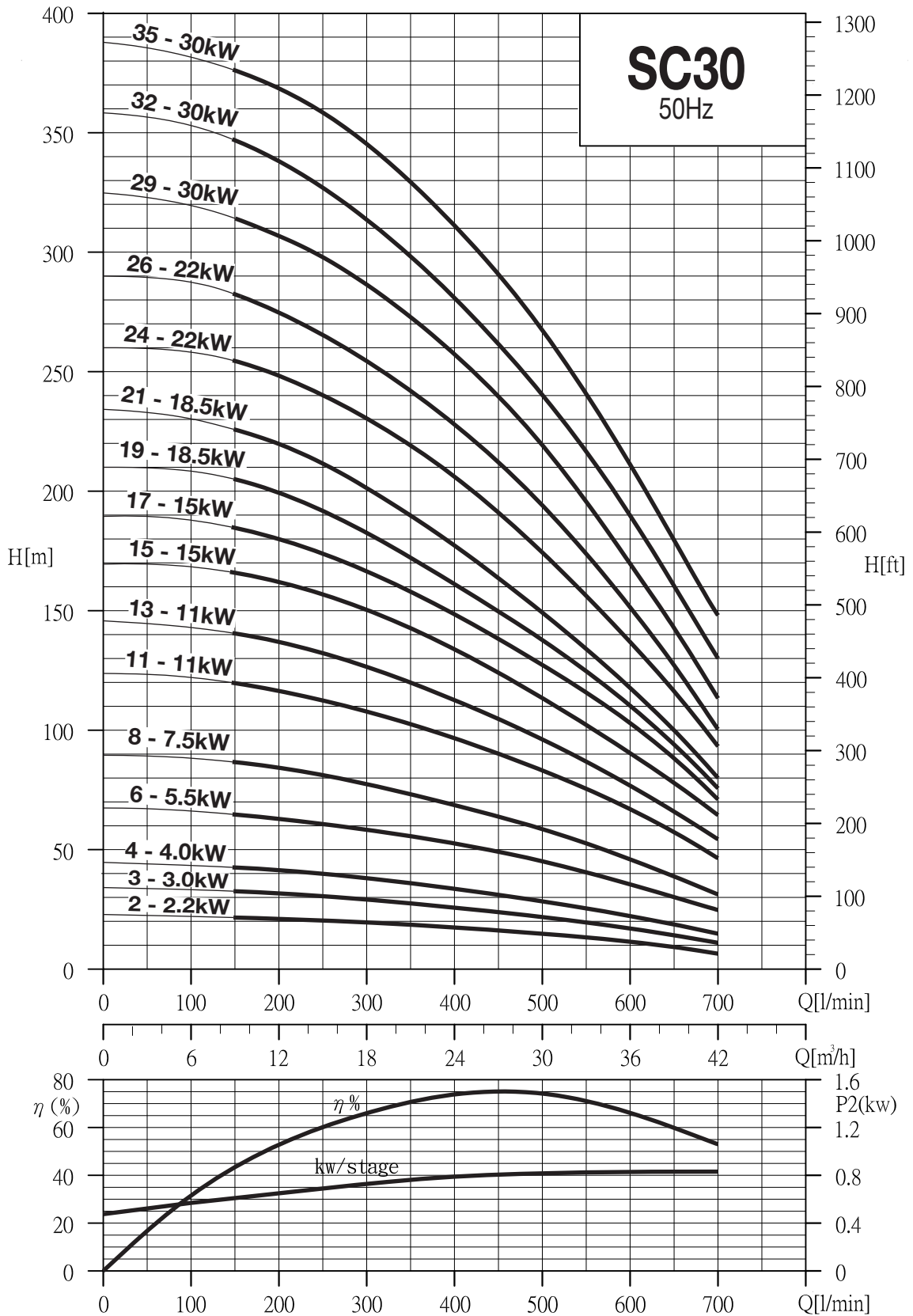




"SC" Series
6 inch (150mm)
Submersible Borehole Pumps

MODEL
SC30

PERFORMANCE DATA



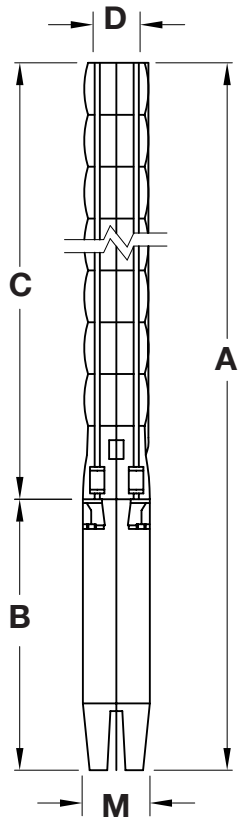
MODEL
SC30

“SC” Series

6 inch (150mm)
Submersible Borehole Pumps



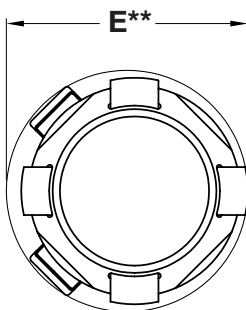
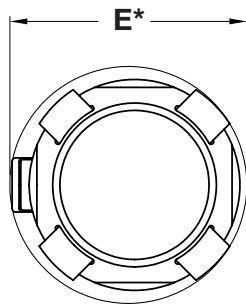
TECHNICAL DATA



SC30 DIMENSIONS & WEIGHTS

MODEL	NO. OF STAGES	MOTOR		DIMENSIONS (mm)							MASS (kg)	
		kW	DIAM	A	B	C	D	E*	E**	M	PUMP	MOTOR
SC30-02	2	2.2	4"	870	408	462	3" BSP F	131		96	8.4	16
SC30-03	3	3.0	4"	1007	449	558		131		96	10.1	19
SC30-04	4	4.0	4"	1217	563	654		131		96	11.8	25
SC30-06	6	5.5	4"	1561	715	846		131		96	15.2	32
SC30-08	8	7.5	6"	1684	646	1038		142	142	138	18.6	52
SC30-11	11	11	6"	2037	711	1326		142	142	138	23.6	58
SC30-13	13	11	6"	2229	711	1518		142	142	138	27	58
SC30-15	15	15	6"	2486	776	1710		142	142	138	30.4	64
SC30-17	17	15	6"	2678	776	1902		142	142	138	33.8	64
SC30-19	19	18.5	6"	2935	841	2094		142	142	138	37.2	70
SC30-21	21	18.5	6"	3127	841	2286	142	142	138	40.6	70	
SC30-24	24	22	6"	3480	906	2574	142	142	138	45.6	76	
SC30-26	26	22	6"	3672	906	2766	142	142	138	49	76	
SC30-29	29	30	6"	4090	1036	3054	142	142	138	54.1	92	
SC30-32	32	30	6"	4378	1036	3342	142	142	138	59.2	92	
SC30-35	35	30	6"	4666	1036	3630	142	142	138	64.3	92	

E*: Maximum diameter of pump with single motor cable.
E**: Maximum diameter of pump with two motor cables.
Motor dimensions are for standard Franklin Motors.



ELECTRICAL DATA 4 & 6 INCH MOTORS 415V 50 Hz 3 PHASE

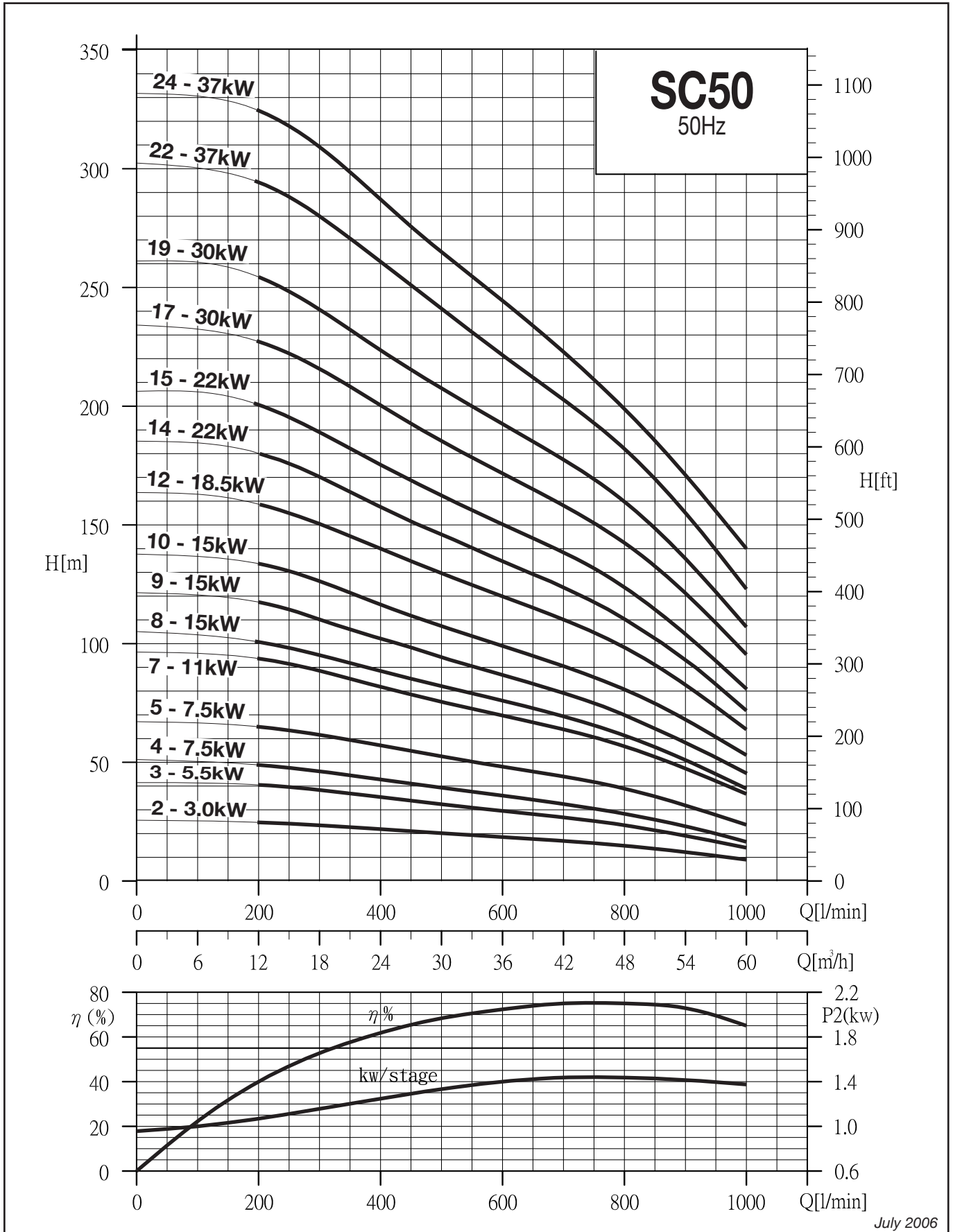
MOTOR kW	THRUST kg	FULL LOAD AMPS	NOMINAL RPM	LOCK ROTOR AMPS
4 INCH FRANKLIN MOTORS				
2.2	680	6.0	2875	27
3.0	680	7.3	2875	42
4.0	680	10.4	2875	59
5.5	680	13.0	2875	70
6 INCH FRANKLIN MOTORS				
7.5	1600	16.2	2875	91
11	1600	24.1	2875	133
15	1600	31.0	2875	174
18.5	1600	38.5	2875	215
22	1600	45.5	2875	278
30	1600	64.6	2875	397



"SC" Series
6 inch (150mm)
Submersible Borehole Pumps

MODEL
SC50

PERFORMANCE DATA

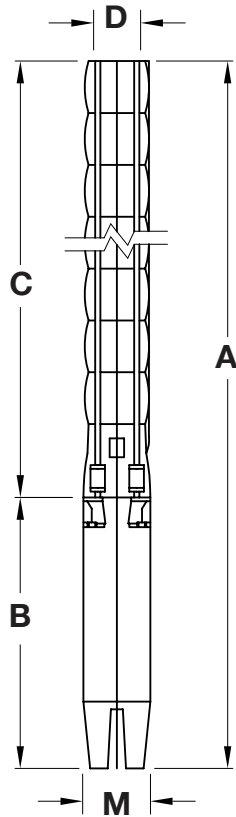


MODEL
SC50

“SC” Series
6 inch (150mm)
Submersible Borehole Pumps



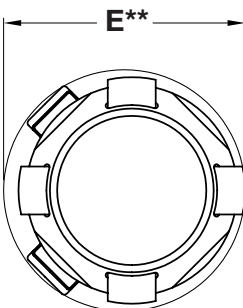
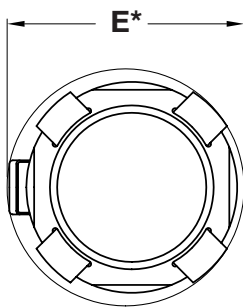
TECHNICAL DATA



SC50 DIMENSIONS & WEIGHTS

MODEL	NO. OF STAGES	MOTOR		DIMENSIONS (mm)							MASS (kg)	
		kW	DIAM	A	B	C	D	E*	E**	M	PUMP	MOTOR
SC50-02	2	3.0	4"	945	449	496	5" Bore	146		96	9.2	19
SC50-03	3	5.5	4"	1324	715	609		146		96	11.5	32
SC50-04	4	7.5	6"	1368	646	722		146		96	13.8	52
SC50-05	5	7.5	6"	1481	646	835		149	152	96	16	52
SC50-07	7	11	6"	1772	711	1061		149	152	138	20.6	58
SC50-08	8	15	6"	1950	776	1174		149	152	138	22.9	64
SC50-09	9	15	6"	2063	776	1287		149	152	138	25.2	64
SC50-10	10	15	6"	2176	776	1400		149	152	138	27.4	64
SC50-12	12	18.5	6"	2467	841	1626		149	152	138	32	70
SC50-14	14	22	6"	2758	906	1852		149	152	138	36.5	76
SC50-15	15	22	6"	2871	906	1965		149	152	138	38.8	76
SC50-17	17	30	6"	3227	1036	2191		149	152	138	43.4	92
SC50-19	19	30	6"	3453	1036	2417		149	152	138	47.9	92
SC50-22	22	37	6"	4161	1405	2756		149	152	138	54.8	136
SC50-24	24	37	6"	4387	1405	2982		149	152	138	59.3	136

E*: Maximum diameter of pump with single motor cable.
E**: Maximum diameter of pump with two motor cables.
Motor dimensions are for standard Franklin Motors.



**ELECTRICAL DATA 4 & 6 INCH MOTORS
415V 50 Hz 3 PHASE**

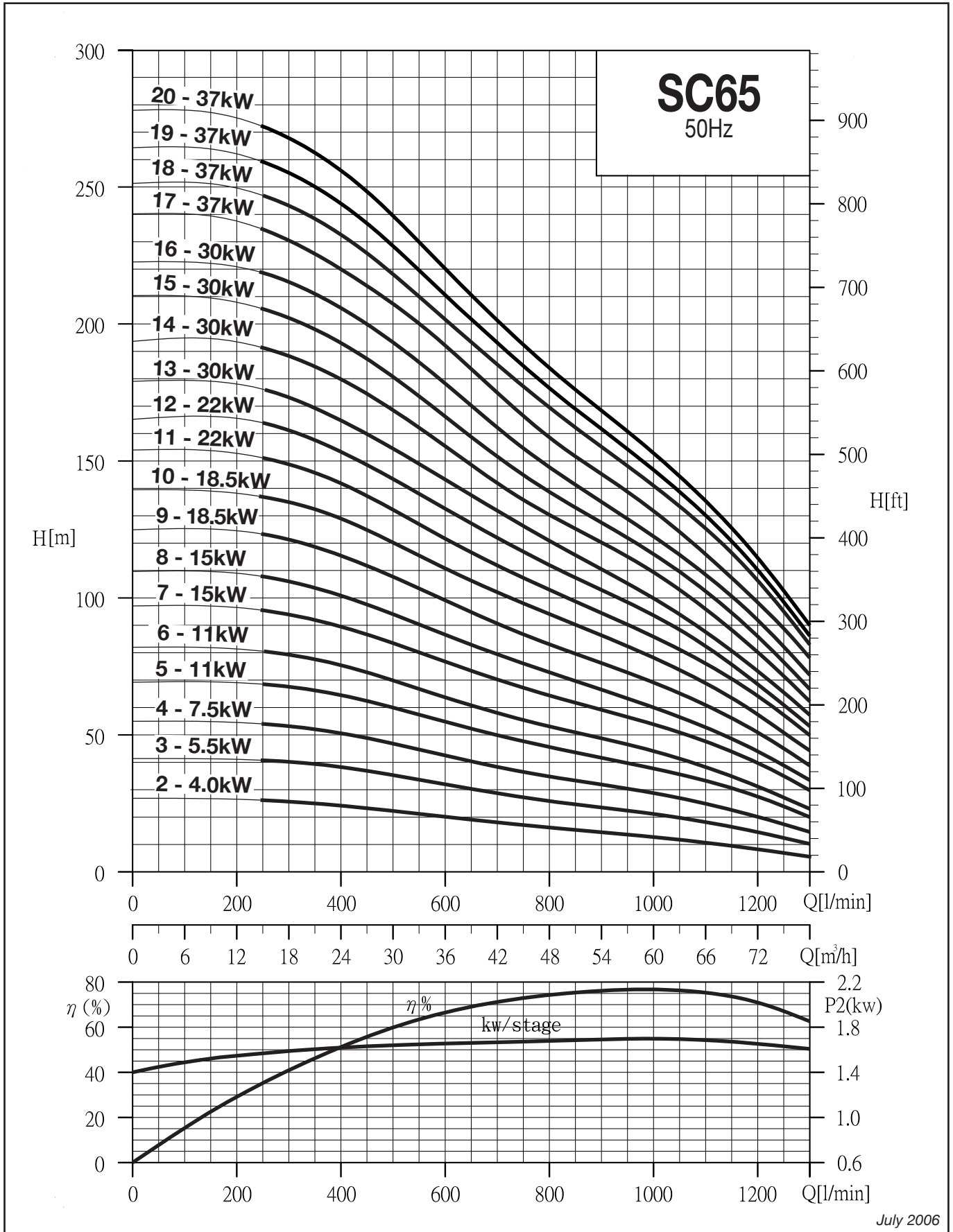
MOTOR kW	THRUST kg	FULL LOAD AMPS	NOMINAL RPM	LOCK ROTOR AMPS
4 INCH FRANKLIN MOTORS				
3.0	680	7.3	2875	42
5.5	680	13.0	2875	70
6 INCH FRANKLIN MOTORS				
7.5	1600	16.2	2875	91
11	1600	24.1	2875	133
15	1600	31.0	2875	174
18.5	1600	38.5	2875	215
22	1600	45.5	2875	278
30	1600	64.6	2875	397
37	2800	77.9	2875	434



"SC" Series
6 inch (150mm)
Submersible Borehole Pumps

MODEL
SC65

PERFORMANCE DATA

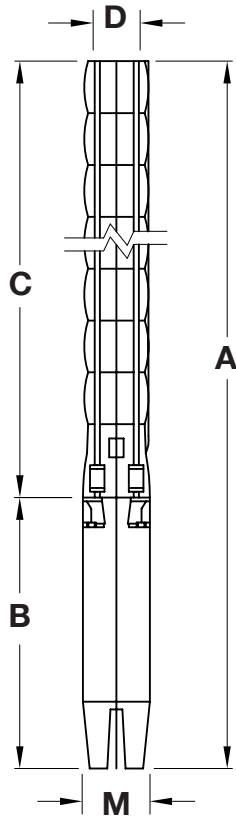


MODEL
SC65

“SC” Series
6 inch (150mm)
Submersible Borehole Pumps



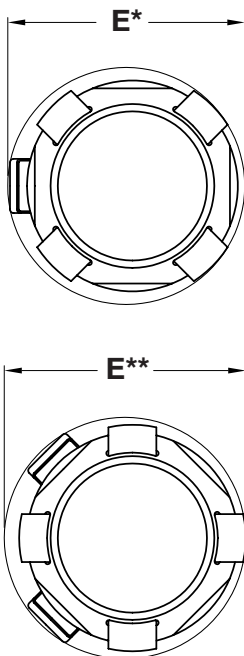
TECHNICAL DATA



SC65 DIMENSIONS & WEIGHTS

MODEL	NO. OF STAGES	MOTOR		DIMENSIONS (mm)						MASS (kg)		
		kW	DIAM	A	B	C	D	E*	E**	M	PUMP	MOTOR
SC65-02	2	4.0	4"	1059	563	496	1/2" BSHF	146		96	9.2	25
SC65-03	3	5.5	4"	1324	715	609		146		96	11.5	48
SC65-04	4	7.5	6"	1368	646	722		149	152	138	13.7	52
SC65-05	5	11	6"	1546	711	835		149	152	138	16	58
SC65-06	6	11	6"	1659	711	948		149	152	138	18.3	58
SC65-07	7	15	6"	1837	776	1061		149	152	138	20.6	64
SC65-08	8	15	6"	1950	776	1174		149	152	138	22.9	64
SC65-09	9	18.5	6"	2128	841	1287		149	152	138	25.1	70
SC65-10	10	18.5	6"	2241	841	1400		149	152	138	27.4	70
SC65-11	11	22	6"	2419	906	1513		149	152	138	29.7	76
SC65-12	12	22	6"	2532	906	1626		149	152	138	32	76
SC65-13	13	30	6"	2775	1036	1739		149	152	138	34.3	92
SC65-14	14	30	6"	2888	1036	1852		149	152	138	36.5	92
SC65-15	15	30	6"	3001	1036	1965		149	152	138	38.8	92
SC65-16	16	30	6"	3114	1036	2078		149	152	138	41.1	92
SC65-17	17	37	6"	3596	1405	2191		149	152	138	43.4	136
SC65-18	18	37	6"	3709	1405	2304		149	152	138	45.7	136
SC65-19	19	37	6"	3822	1405	2417		149	152	138	48	136
SC65-20	20	37	6"	3935	1405	2530		149	152	138	50.2	136

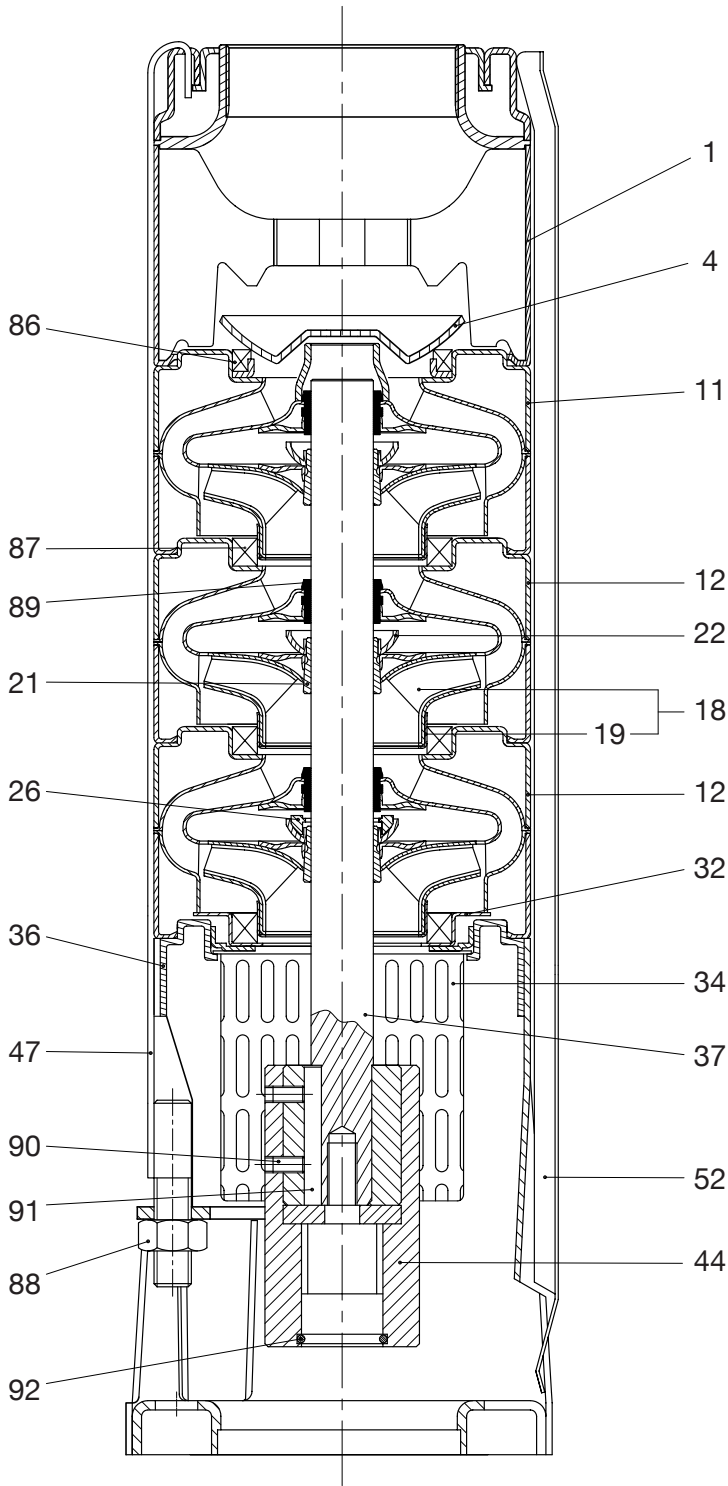
E*: Maximum diameter of pump with single motor cable.
E**: Maximum diameter of pump with two motor cables.
Motor dimensions are for standard Franklin Motors.



**ELECTRICAL DATA 4 & 6 INCH MOTORS
415V 50 Hz 3 PHASE**

MOTOR kW	THRUST kg	FULL LOAD AMPS	NOMINAL RPM	LOCK ROTOR AMPS
4 INCH FRANKLIN MOTORS				
4.0	680	10.4	2875	59
5.5	680	13.0	2875	70
6 INCH FRANKLIN MOTORS				
7.5	1600	16.2	2875	91
11	1600	24.1	2875	133
15	1600	31.0	2875	174
18.5	1600	38.5	2875	215
22	1600	45.5	2875	278
30	1600	64.6	2875	397
37	2800	77.9	2875	434

PARTS AND MATERIALS



Part	Material	
1	Discharge	304 Stainless Steel
4	Valve Cone	304 Stainless Steel
11	Top Diffuser	304 Stainless Steel
12	Diffuser	304 Stainless Steel
18	Impeller	304 Stainless Steel
19	Ring of Impeller	304 Stainless Steel
21	Split Cone	304 Stainless Steel
22	Split Cone Nut	304 Stainless Steel
26	Spacing Washer for Stop Ring	PTFE +CF
32	Neck Ring Retainer	304 Stainless Steel
34	Strainer	304 Stainless Steel
36	Suction Interconnector	304 Stainless Steel
37	Pump Shaft	431 Stainless Steel
44	Coupling	304 Stainless Steel
47	Strap	304 Stainless Steel
52	Cable guard	304 Stainless Steel
86	Valve Seat	304 SS / NBR
87	Neck Ring	304 SS / NBR
88	Nut	304 Stainless Steel
89	Bearing	NBR
90	Screw	304 Stainless Steel
91	Key	304 Stainless Steel
92	O-Ring	NBR

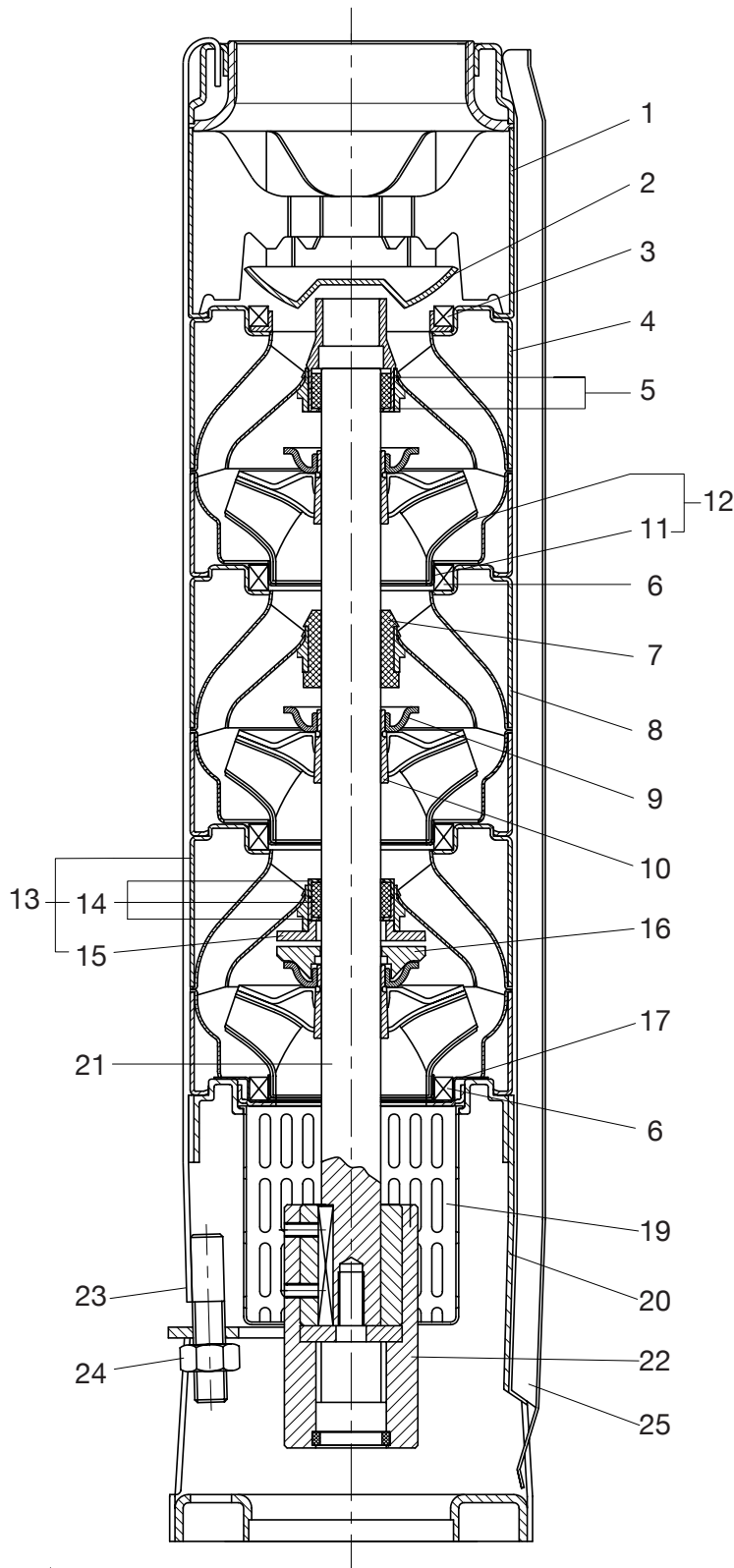
MODEL
SC30

“SC” Series

6 inch (150mm)
Submersible Borehole Pumps

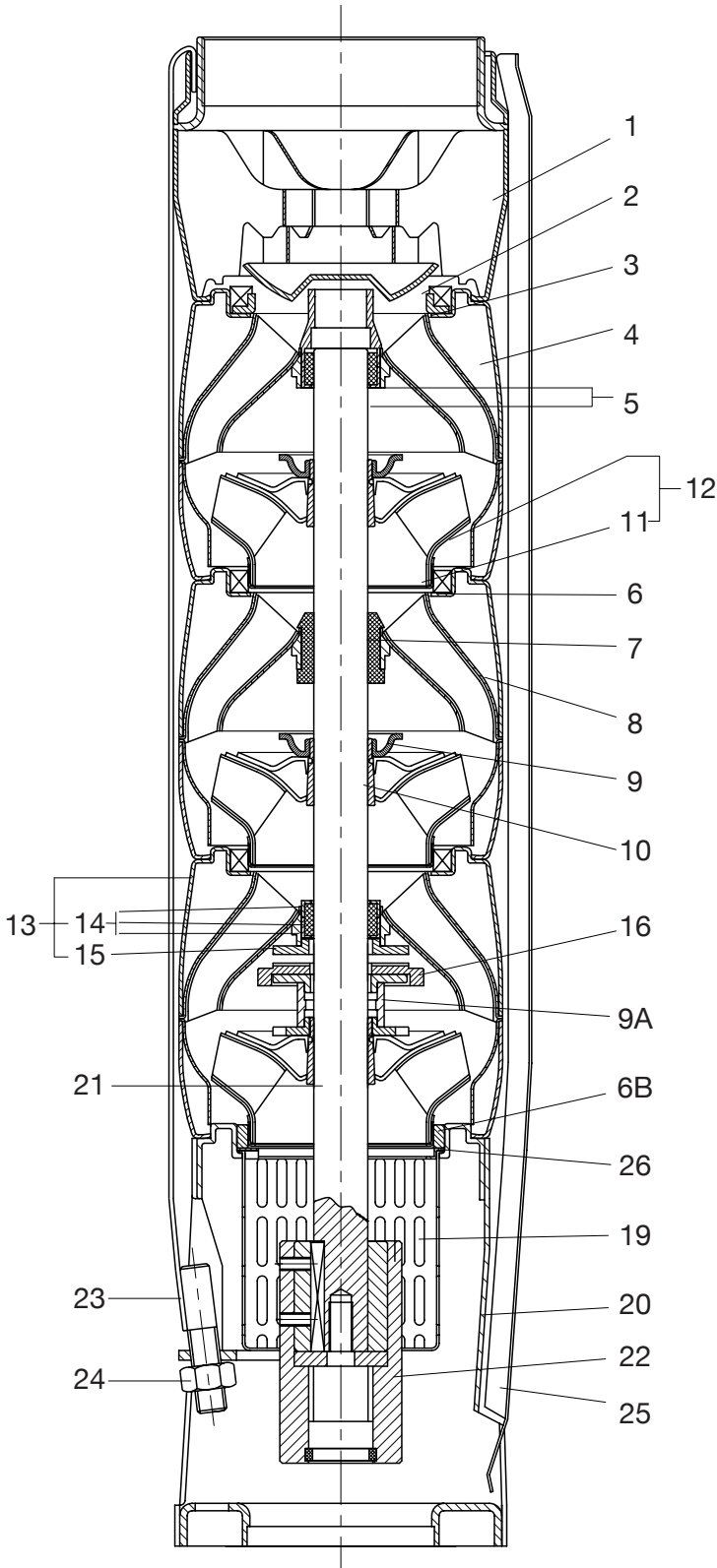


PARTS AND MATERIALS



Part	Material	
1	Discharge	304 Stainless Steel
2	Valve Cone	304 Stainless Steel
3	Valve Seat	304 SS / NBR
4	Top Diffuser	304 Stainless Steel
5	Upper Bearing	304 SS / NBR
6	Neck Ring	304 SS / NBR
7	Bearing	NBR
8	Diffuser	304 Stainless Steel
9	Split Cone Ring	304 Stainless Steel
10	Split Cone	304 Stainless Steel
11	Ring of Impeller	304 Stainless Steel
12	Impeller	304 Stainless Steel
13	Bottom Diffuser	304 Stainless Steel
14	Lower Bearing	304 SS / NBR
15	Stop Ring	304 Stainless Steel
16	Spacing Washer for Stop Ring	PTFE +CF
17	Neck Ring Retainer	304 Stainless Steel
19	Strainer	304 Stainless Steel
20	Suction Interconnector	304 Stainless Steel
21	Pump Shaft	431 Stainless Steel
22	Coupling	304 Stainless Steel
23	Strap	304 Stainless Steel
24	Nut	304 Stainless Steel
25	Cable guard	304 Stainless Steel

PARTS AND MATERIALS



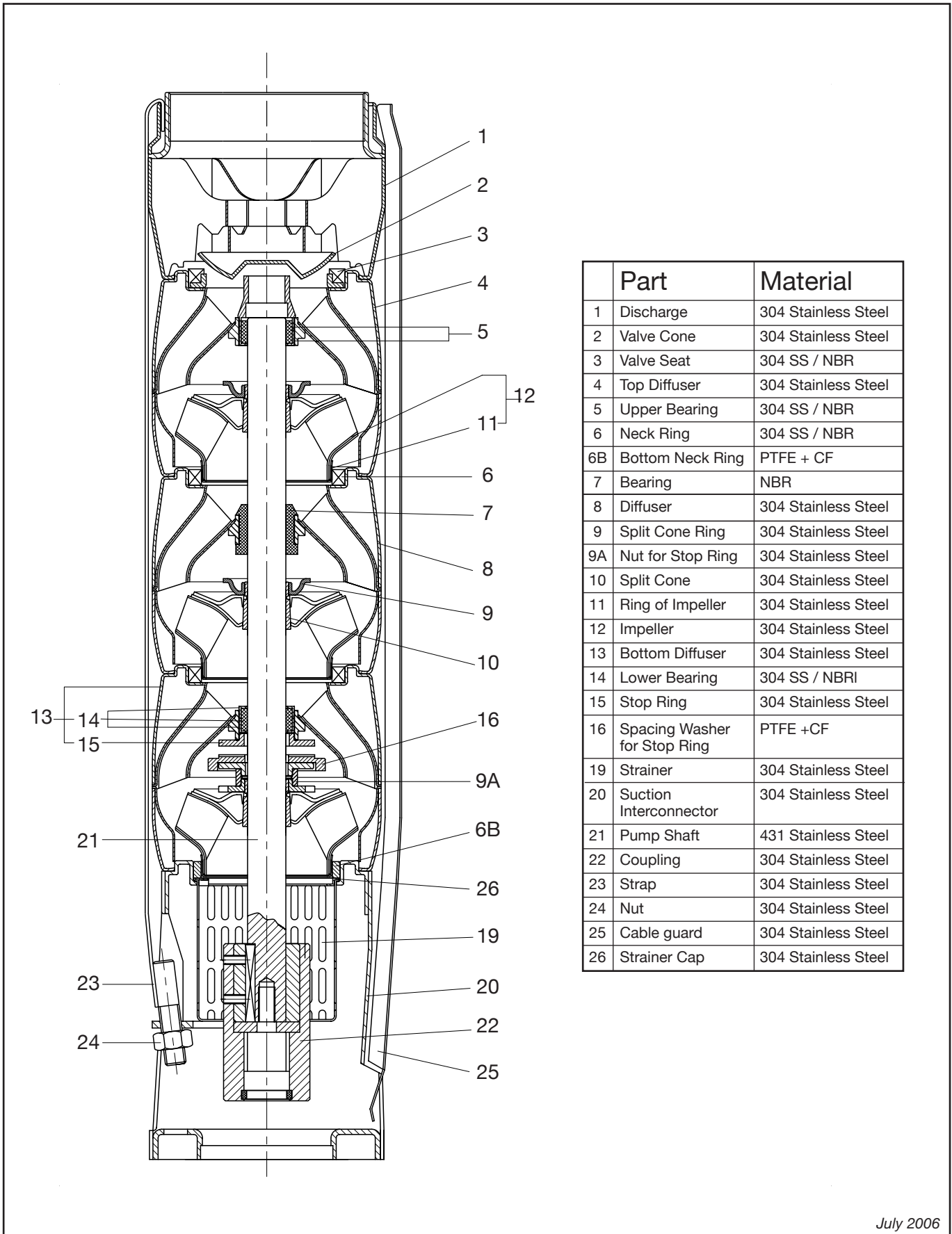
	Part	Material
1	Discharge	304 Stainless Steel
2	Valve Cone	304 Stainless Steel
3	Valve Seat	304 SS / NBR
4	Top Diffuser	304 Stainless Steel
5	Upper Bearing	304 SS / NBR
6	Neck Ring	304 SS / NBR
6B	Bottom Neck Ring	PTFE + CF
7	Bearing	NBR
8	Diffuser	304 Stainless Steel
9	Split Cone Ring	304 Stainless Steel
9A	Nut for Stop Ring	304 Stainless Steel
10	Split Cone	304 Stainless Steel
11	Ring of Impeller	304 Stainless Steel
12	Impeller	304 Stainless Steel
13	Bottom Diffuser	304 Stainless Steel
14	Lower Bearing	304 SS / NBR
15	Stop Ring	304 Stainless Steel
16	Spacing Washer for Stop Ring	PTFE +CF
19	Strainer	304 Stainless Steel
20	Suction Interconnector	304 Stainless Steel
21	Pump Shaft	431 Stainless Steel
22	Coupling	304 Stainless Steel
23	Strap	304 Stainless Steel
24	Nut	304 Stainless Steel
25	Cable guard	304 Stainless Steel
26	Strainer Cap	304 Stainless Steel

MODEL
SC65

"SC" Series
6 inch (150mm)
Submersible Borehole Pumps



PARTS AND MATERIALS



	Part	Material
1	Discharge	304 Stainless Steel
2	Valve Cone	304 Stainless Steel
3	Valve Seat	304 SS / NBR
4	Top Diffuser	304 Stainless Steel
5	Upper Bearing	304 SS / NBR
6	Neck Ring	304 SS / NBR
6B	Bottom Neck Ring	PTFE + CF
7	Bearing	NBR
8	Diffuser	304 Stainless Steel
9	Split Cone Ring	304 Stainless Steel
9A	Nut for Stop Ring	304 Stainless Steel
10	Split Cone	304 Stainless Steel
11	Ring of Impeller	304 Stainless Steel
12	Impeller	304 Stainless Steel
13	Bottom Diffuser	304 Stainless Steel
14	Lower Bearing	304 SS / NBR
15	Stop Ring	304 Stainless Steel
16	Spacing Washer for Stop Ring	PTFE +CF
19	Strainer	304 Stainless Steel
20	Suction Interconnector	304 Stainless Steel
21	Pump Shaft	431 Stainless Steel
22	Coupling	304 Stainless Steel
23	Strap	304 Stainless Steel
24	Nut	304 Stainless Steel
25	Cable guard	304 Stainless Steel
26	Strainer Cap	304 Stainless Steel