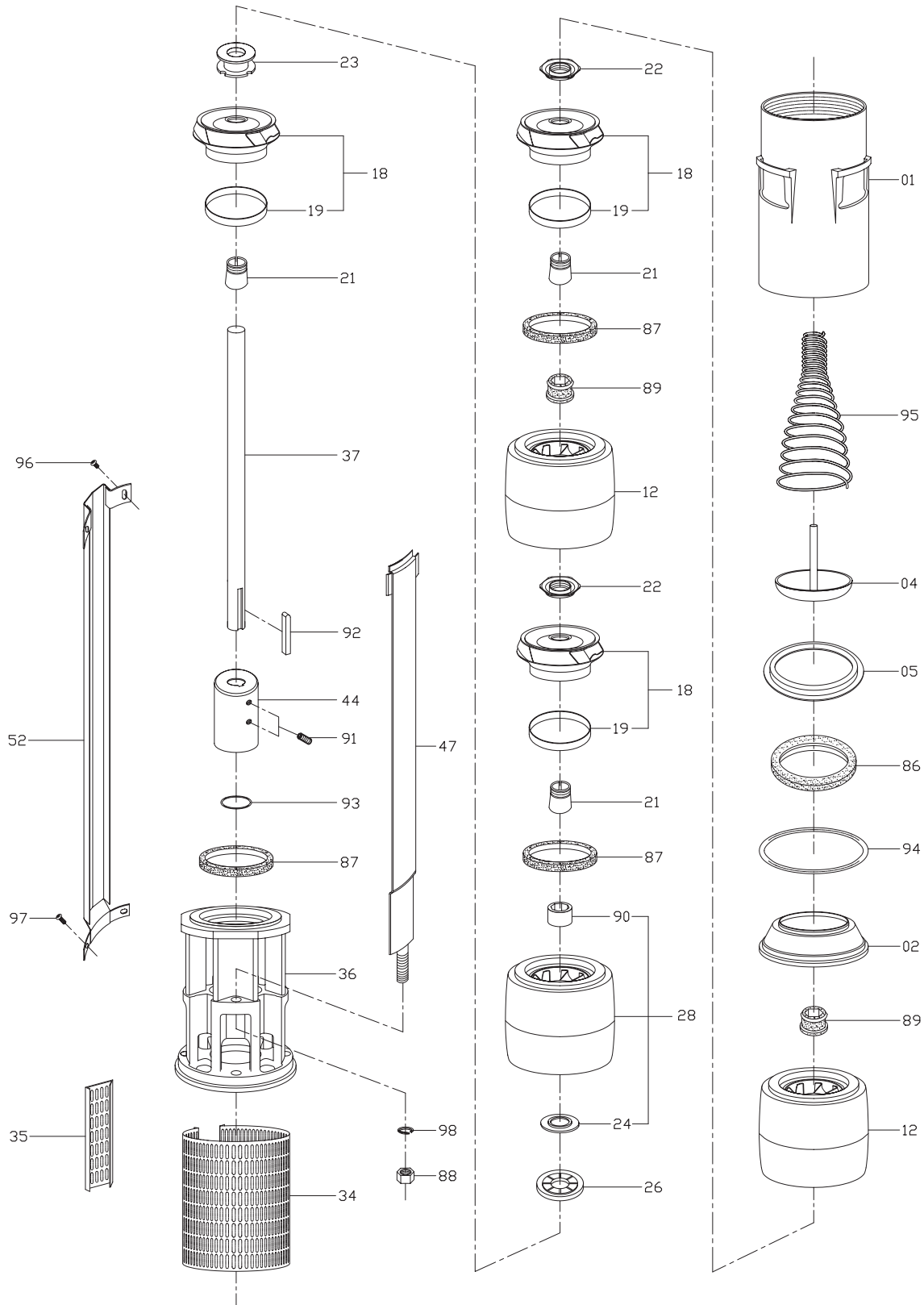


SUBMERSIBLE AND TURBINE PUMPS

SC80



SUBMERSIBLE AND TURBINE PUMPS

SC80

ILLUS. NO.	NO. PER UNIT	SC80 PART NO.	SCN80 PART NO.	DESCRIPTION
01	1	SC8001RP	SCN8001RP	Discharge (5" RP)
01	1	SC8001NPT	SCN8001NPT	Discharge (5" NPT)
01	1	SC8001F	SCN8001F	Discharge (5" Flange)
02	1	SC8002	SCN8002	Lower Valve Seat Retainer
04	1	SC8004	SCN8004	Valve Cup
05	1	SC8005	SCN8005	Upper Valve Seat Retainer
12	As Reqd.	SC8012	SCN8012	Diffuser
18	As Reqd.	SC8018	SCN8018	Impeller
19	As Reqd.	SC8019	SCN8019	Ring Of Impeller
21	As Reqd.	SC8021	SCN8021	Split Cone
22	As Reqd.	SC8022	SCN8022	Split Cone Nut
23	1	SC8023	SCN8023	Nut For Stop Ring
24	1	SC8024	SCN8024	Stop Ring
26	1	SC8026	SC8026	Spacing Washer For Stop Ring
28	1	SC8028	SCN8028	Bottom Diffuser
34	1	SC8034	SCN8034	Strainer
35	1	SC8035	SCN8035	Lock For Strainer
36	1	SC803606	SCN803606	Suction Interconnector 6" Motor
	1	SC803608	SCN803608	Suction Interconnector 8" Motor
37	1	SEE SHAFT SELECTION CHART		Shaft
44	1	SC804406	SCN804406	Coupling 6" Motor
	1	SC804408	SCN804408	Coupling 8" Motor
47	4	SEE STRAP SELECTION CHART		Strap
52	1	SEE CABLE GUARD SELECTION CHART		Cable Guard
86	1	SC8086	SCN8086	Valve Seat
87	As Reqd.	SC8087	SCN8087	Neck Ring
88		SC8088	SCN8088	Nut (M16)
89		SC8089	SCN8089	Bearing
90		SC8090	SCN8090	Bearing
91		SC8091	SCN8091	Screw (M8x16)
92		SC8092	SCN8092	Key
93		SC8093	SCN8093	O-ring
94		SC8094	SCN8094	O-ring
95		SC8095	SCN8095	Spring
96		SC8096	SCN8096	Screw (M5x6L)
97		SC8097	SCN8097	Screw (M5x10L)
98		SC8098	SCN8098	Spring Washer (M16)



SUBMERSIBLE AND TURBINE PUMPS

SC80

SHAFT SELECTION CHART

MODEL	SC PART NO.	SCN PART NO.
SC80-01	SC803701	SCN803701
SC80-02	SC803702	SCN803702
SC80-03	SC803703	SCN803703
SC80-04	SC803704	SCN803704
SC80-05	SC803705	SCN803705
SC80-06	SC803706	SCN803706
SC80-07	SC803707	SCN803707
SC80-08	SC803708	SCN803708
SC80-09	SC803709	SCN803709
SC80-10	SC803710	SCN803710
SC80-11	SC803711	SCN803711
SC80-12	SC803712	SCN803712
SC80-13	SC803713	SCN803713
SC80-14	SC803714	SCN803714
SC80-15	SC803715	SCN803715
SC80-16	SC803716	SCN803716
SC80-17	SC803717	SCN803717
SC80-18	SC803718	SCN803718
SC80-19	SC803719	SCN803719
SC80-20	SC803720	SCN803720

STRAP SELECTION CHART

MODEL	SC PART NO.	SCN PART NO.
SC80-01	SC804701	SCN804701
SC80-02	SC804702	SCN804702
SC80-03	SC804703	SCN804703
SC80-04	SC804704	SCN804704
SC80-05	SC804705	SCN804705
SC80-06	SC804706	SCN804706
SC80-07	SC804707	SCN804707
SC80-08	SC804708	SCN804708
SC80-09	SC804709	SCN804709
SC80-10	SC804710	SCN804710
SC80-11	SC804711	SCN804711
SC80-12	SC804712	SCN804712
SC80-13	SC804713	SCN804713
SC80-14	SC804714	SCN804714
SC80-15	SC804715	SCN804715
SC80-16	SC804716	SCN804716
SC80-17	SC804717	SCN804717
SC80-18	SC804718	SCN804718
SC80-19	SC804719	SCN804719
SC80-20	SC804720	SCN804720

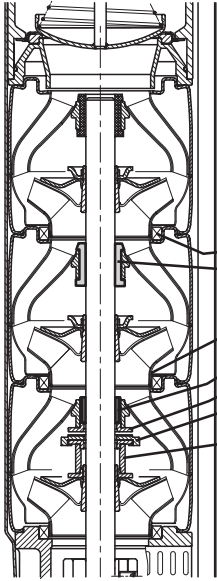
CABLE GUARD SELECTION CHART

MODEL	SC PART NO.	SCN PART NO.
SC80-01	SC805201	SCN805201
SC80-02	SC805202	SCN805202
SC80-03	SC805203	SCN805203
SC80-04	SC805204	SCN805204
SC80-05	SC805205	SCN805205
SC80-06	SC805206	SCN805206
SC80-07	SC805207	SCN805207
SC80-08	SC805208	SCN805208
SC80-09	SC805209	SCN805209
SC80-10	SC805210	SCN805210
SC80-11	SC805211	SCN805211
SC80-12	SC805212	SCN805212
SC80-13	SC805213	SCN805213
SC80-14	SC805214	SCN805214
SC80-15	SC805215	SCN805215
SC80-16	SC805216	SCN805216
SC80-17	SC805217	SCN805217
SC80-18	SC805218	SCN805218
SC80-19	SC805219	SCN805219
SC80-20	SC805220	SCN805220



SUBMERSIBLE AND TURBINE PUMPS

SC80/100

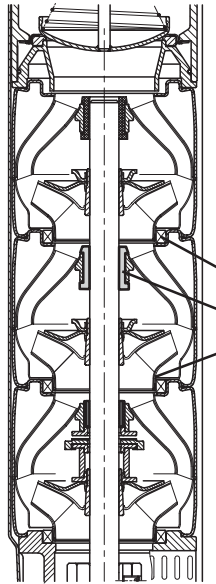


Southern Cross

"SC" Submersible Pump Service Kit

Part No.	Description	Quantity Enclosed
87	Neck Ring	5
89	Bearing	4
19	Impeller Ring	5
90	Lower Bearing	1
24	Stop Ring	1
26	Spacing Washer for Stop Ring	1
23	Nut for Stop Ring	1

SC80-Kit 1
Code: SC80K1

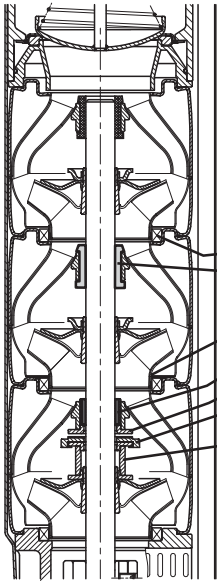


Southern Cross

"SC" Submersible Pump Service Kit

Part No.	Description	Quantity Enclosed
87	Neck Ring	5
89	Bearing	5
19	Impeller Ring	5

SC80/100-Kit 2
Code: SC80K2



Southern Cross

"SC" Submersible Pump Service Kit

Part No.	Description	Quantity Enclosed
87	Neck Ring	5
89	Bearing	4
19	Impeller Ring	5
90	Lower Bearing	1
24	Stop Ring	1
26	Spacing Washer for Stop Ring	1
23	Nut for Stop Ring	1

SC100-Kit 1
Code: SC100K1