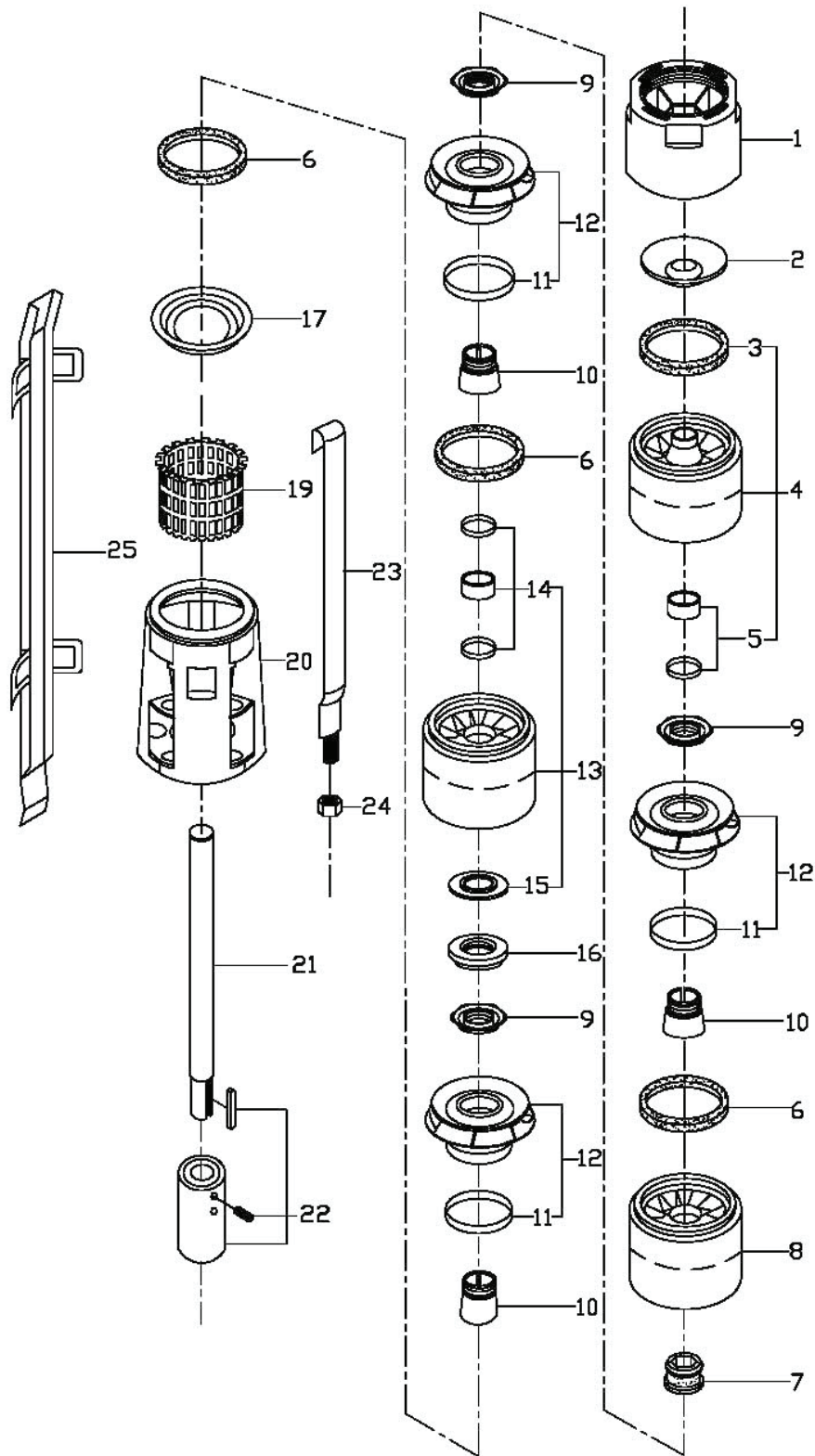


SC30





SUBMERSIBLE AND TURBINE PUMPS

SC30

ILLUS. NO.	NO. PER UNIT	SC30 PART NO.	SCN30 PART NO.	DESCRIPTION
01	1	SC3001	SC3001	Discharge
02	1	SC3002	SC3002	Valve Cone
03	1	SC3003	SC3003	Valve Seat
04	1	SC3004	SC3004	Top Diffuser
05	1	SC3005	SC3005	Upper Bearing
06	As Reqd.	SC3006	SC3006	Neck Ring
07	As Reqd.	SC3007	SC3007	Bearing
08	As Reqd.	SC3008	SC3008	Diffuser
09	As Reqd.	SC3009	SC3009	Split Cone Nut
10	As Reqd.	SC3010	SC3010	Split Cone
11	As Reqd.	SC3011	SC3011	Ring of Impeller
12	As Reqd.	SC3012	SC3012	Impeller
13	1	SC3013	SC3013	Bottom Diffuser
14	1	SC3014	SC3014	Lower Bearing
15	1	SC3015	SC3015	Stop Ring
16	1	SC3016	SC3016	Spacing Washer for the stop ring
17	1	SC3017	SC3017	Neck Ring Retainer
19	1	SC3019	SC3019	Strainer
20	1	SC3020	SC3020	Suction Interconnector
21	1	SEE SHAFT SELECTION CHART		Shaft
22	1	SC3022	SCN3022	Coupling
23	4	SEE STRAP SELECTION CHART		Strap
24	4	SC3024	SCN3024	Nut
25	1	SEE CABLE GUARD SELECTION CHART		Cable Guard

SUBMERSIBLE AND TURBINE PUMPS

SC30

SHAFT SELECTION CHART

MODEL	SC PART NO.	SCN PART NO.
SC30-02	SC302102	SCN302102
SC30-03	SC302103	SCN302103
SC30-04	SC302104	SCN302104
SC30-06	SC302106	SCN302106
SC30-08	SC302108	SCN302108
SC30-11	SC302111	SCN302111
SC30-13	SC302113	SCN302113
SC30-15	SC302115	SCN302115
SC30-17	SC302117	SCN302117
SC30-19	SC302119	SCN302119
SC30-21	SC302121	SCN302121
SC30-24	SC302124	SCN302124
SC30-26	SC302126	SCN302126
SC30-29	SC302129	SCN302129
SC30-32	SC302132	SCN302132
SC30-35	SC302135	SCN302135

STRAP SELECTION CHART

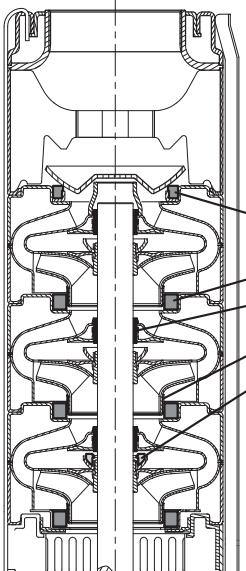
MODEL	SC PART NO.	SCN PART NO.
SC30-02	SC302302	SCN302302
SC30-03	SC302303	SCN302303
SC30-04	SC302304	SCN302304
SC30-06	SC302306	SCN302306
SC30-08	SC302308	SCN302308
SC30-11	SC302311	SCN302311
SC30-13	SC302313	SCN302313
SC30-15	SC302315	SCN302315
SC30-17	SC302317	SCN302317
SC30-19	SC302319	SCN302319
SC30-21	SC302321	SCN302321
SC30-24	SC302324	SCN302324
SC30-26	SC302326	SCN302326
SC30-29	SC302329	SCN302329
SC30-32	SC302332	SCN302332
SC30-35	SC302335	SCN302335

CABLE GUARD SELECTION CHART

MODEL	SC PART NO.	SCN PART NO.
SC30-02	SC302502	SCN302502
SC30-03	SC302503	SCN302503
SC30-04	SC302504	SCN302504
SC30-06	SC302506	SCN302506
SC30-08	SC302508	SCN302508
SC30-11	SC302511	SCN302511
SC30-13	SC302513	SCN302513
SC30-15	SC302515	SCN302515
SC30-17	SC302517	SCN302517
SC30-19	SC302519	SCN302519
SC30-21	SC302521	SCN302521
SC30-24	SC302524	SCN302524
SC30-26	SC302526	SCN302526
SC30-29	SC302529	SCN302529
SC30-32	SC302532	SCN302532
SC30-35	SC302535	SCN302535

SUBMERSIBLE AND TURBINE PUMPS

SC18/30



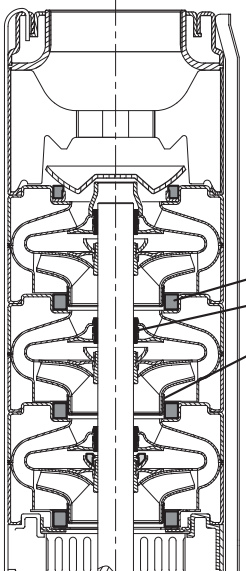
Southern Cross

"SC" Submersible Pump Service Kit

Part No.	Description	Quantity Enclosed
86	Valve Seat	1
87	Neck Ring	5
89	Bearing	5
19	Impeller Ring	5
26	Spacing Washer for Stop Ring	1

SC18-Kit 1

Code: SC18K1



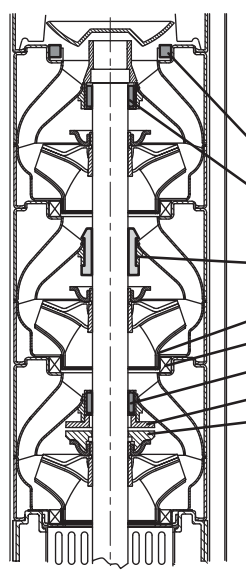
Southern Cross

"SC" Submersible Pump Service Kit

Part No.	Description	Quantity Enclosed
87	Neck Ring	5
89	Bearing	5
19	Impeller Ring	5

SC18-Kit 2

Code: SC18K2



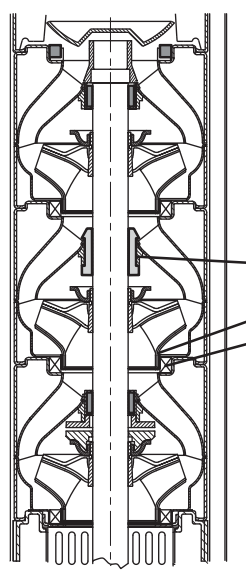
Southern Cross

"SC" Submersible Pump Service Kit

Part No.	Description	Quantity Enclosed
3	Valve Seat	1
5	Upper Bearing	1
7	Bearing	3
11	Impeller Ring	5
6	Neck Ring	5
14	Lower Bearing	1
15	Stop Ring	1
16	Spacing Washer for Stop Ring	1

SC30-Kit 1

Code: SC30K1



Southern Cross

"SC" Submersible Pump Service Kit

Part No.	Description	Quantity Enclosed
7	Bearing	5
11	Impeller Ring	5
6	Neck Ring	5

SC30-Kit 2

Code: SC30K2