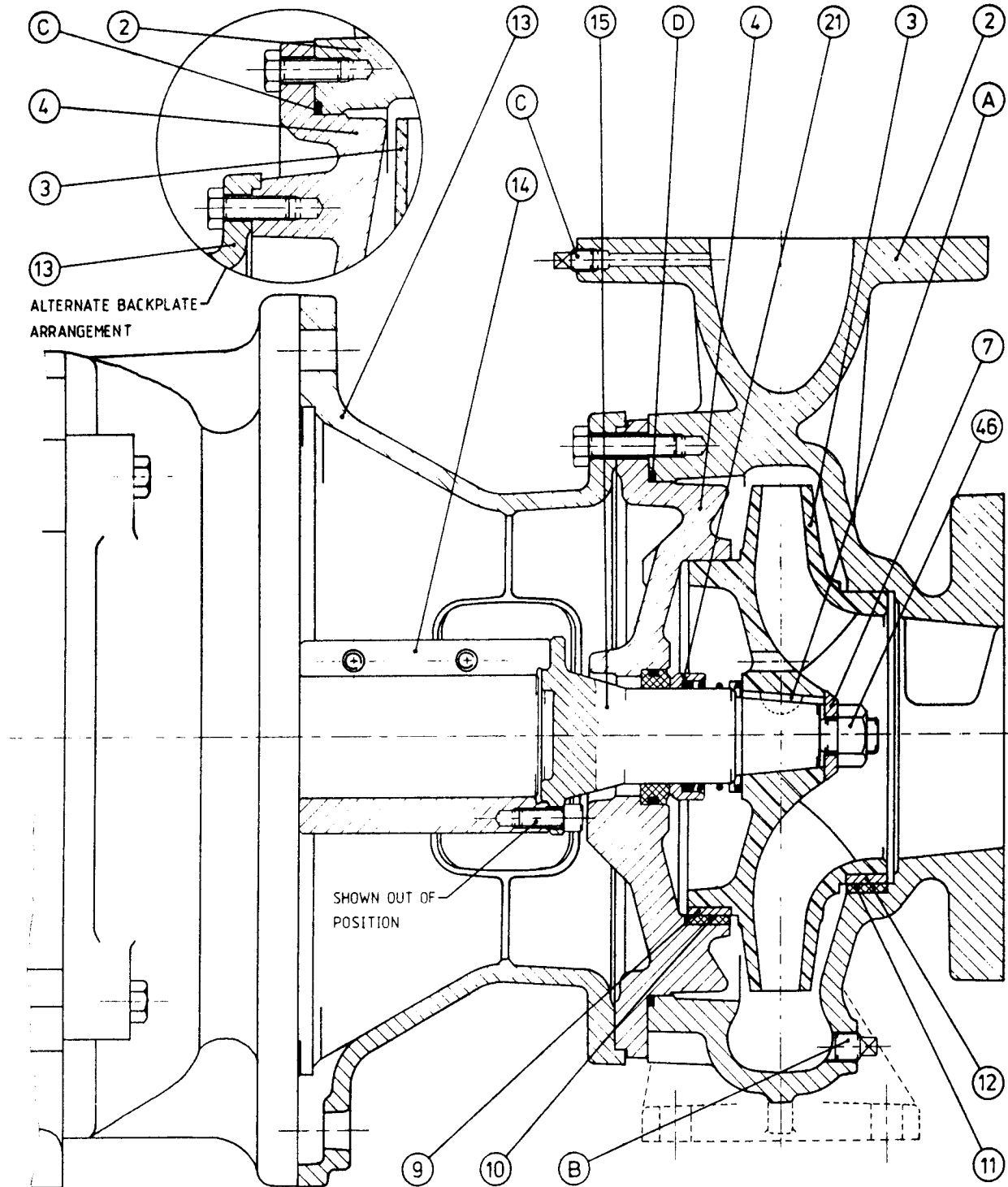




CENTRIFUGAL PUMPS

ISO STAR-LINE

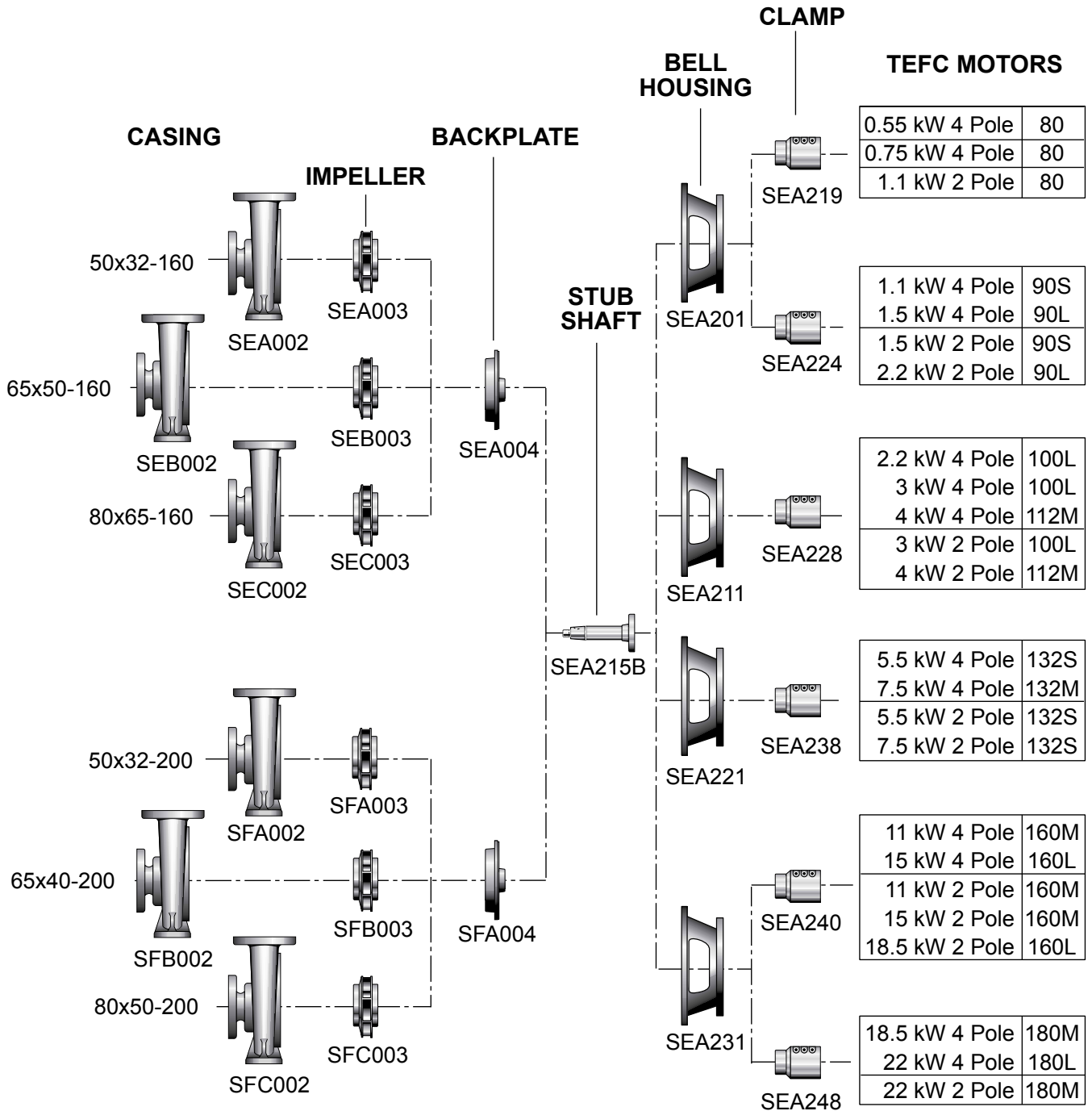




CENTRIFUGAL PUMPS

ISO STAR-LINE

No. 1 SHAFT MODULE - T.E.F.C. MOTORS



PUMP DESCRIPTION
50 x 32 — 160

Suction
Diam. mm

Nom.
Impeller
Diam. mm

Discharge
Diam. mm

**CENTRIFUGAL PUMPS****ISO STAR-LINE**

Code:

MEA

Model:

50x32-160**No.1 SHAFT MODULE**

Illus No.	Description	Material	Part no.
2	Volute Casing - Table E	Cast Iron	SEA002
2	Volute Casing - Table E	Zinc Free Bronze	SEA052
2	Volute Casing - Table E	316SS	SEA062
3	Impeller	Cast Iron	SEA003
3	Impeller	Zinc Free Bronze	SEA053
3	Impeller	316SS	SEA063
4	Backplate - Mech Seal	Cast Iron	SEA004
4	Backplate - Mech Seal	Zinc Free Bronze	SEA054
4	Backplate - Mech Seal	316SS	SEA064
7	Impeller Lock Washer	316SS	SEA007B
15	Extension Shaft Kit	316SS	SEA215-ZS
21	Mechanical Seal	33mm Carbon / Ceramic / Nitrile	XMS033K
21	Mechanical Seal	33mm Silicon Carbide / Silicon Carbide / Viton	XMS133
46	Impeller Nut	316SS	SEA046B
A	Impeller Key	Key Steel	432900126
A	Impeller Key	316SS	NFA061
B	Volute Casing Plug	Mild Steel - Zinc Plated	489069004
C	Discharge Drain Plug	Mild Steel - Zinc Plated	489069002
D	Casing O-ring	Nitrile Rubber	383002041
D	Casing O-ring	Viton	383002041

Optional Wear Rings

A	Wear Ring - Backplate	ZF Bronze	SEA027
A	Wear Ring - Backplate	316SS	SEA327
B	Wear Ring - Impeller Rear	ZF Bronze	SEA026
B	Wear Ring - Impeller Rear	316SS	SEA326
C	Wear Ring - Impeller Front	ZF Bronze	SEA026
C	Wear Ring - Impeller Front	316SS	SEA326
D	Wear Ring - Volute Casing	ZF Bronze	SEA027
D	Wear Ring - Volute Casing	316SS	SEA327

Overhaul Kits

Mechanical Seal & O-Ring Kit (Starline)	ISO1900
Mechanical Seal & O-Ring Kit (Starpro)	PRO1900

Motor (415V, 3 ph B35)

		2 Pole (kW)			
		2.2kW	3.0kW	4.0kW	5.5kW
-	Motor	XZM005	XZM006	XZM007	XZM008
13	Bell Housing	SEA201	SEA211	SEA211	SEA221
-	Safety Guard - Left	SEA203	SEA204	SEA204	SEA205
-	Safety Guard - Right	SEA203	SEA204	SEA204	SEA205
14	Motor Clamp Kit	SEA224-ZS	SEA228-ZS	SEA228-ZS	SEA238-ZS
-	Bolt Kit	PYC104-S	PYC104-S	PYC104-S	PYC107-S
-	NOL Impeller Size (mm)	144	158	174	182

		4 Pole (kW)	
		0.55kW	0.75kW
-	Motor	XZM041	XZM042
13	Bell Housing	SEA201	SEA201
-	Safety Guard - Left	SEA203	SEA203
-	Safety Guard - Right	SEA203	SEA203
14	Motor Clamp Kit	SEA219-ZS	SEA219-ZS
-	Bolt Kit	PYC100-S	PYC100-S
-	NOL Impeller Size (mm)	177	182

Note: NOL Impeller sizes to suit TECO Monarch GX motor. Impeller size may vary if other motors are used.

**CENTRIFUGAL PUMPS****ISO STAR-LINE**

Code:

MEB

Model:

60x50-160**No.1 SHAFT MODULE**

Illus No.	Description	Material	Part no.
2	Volute Casing - Table E	Cast Iron	SEB002
2	Volute Casing - Table E	Zinc Free Bronze	SEB052
2	Volute Casing - Table E	316SS	SEB062
3	Impeller	Cast Iron	SEB003
3	Impeller	Zinc Free Bronze	SEB053
3	Impeller	316SS	SEB063
4	Backplate - Mech Seal	Cast Iron	SEA004
4	Backplate - Mech Seal	Zinc Free Bronze	SEA054
4	Backplate - Mech Seal	316SS	SEA064
7	Impeller Lock Washer	316SS	SEA007B
15	Extension Shaft Kit	316SS	SEA215-ZS
21	Mechanical Seal	33mm Carbon / Ceramic / Nitrile	XMS033K
21	Mechanical Seal	33mm Silicon Carbide / Silicon Carbide / Viton	XMS133
46	Impeller Nut	316SS	SEA046B
A	Impeller Key	Key Steel	432900126
A	Impeller Key	316SS	NFA061
B	Volute Casing Plug	Mild Steel - Zinc Plated	489069004
C	Discharge Drain Plug	Mild Steel - Zinc Plated	489069002
D	Casing O-ring	Nitrile Rubber	383002041
D	Casing O-ring	Viton	383007041

Optional Wear Rings

A	Wear Ring - Backplate	ZF Bronze	SEA027
A	Wear Ring - Backplate	316SS	SEA327
B	Wear Ring - Impeller Rear	ZF Bronze	SEA026
B	Wear Ring - Impeller Rear	316SS	SEA326
C	Wear Ring - Impeller Front	ZF Bronze	SEA026
C	Wear Ring - Impeller Front	316SS	SEA326
D	Wear Ring - Volute Casing	ZF Bronze	SEA027
D	Wear Ring - Volute Casing	316SS	SEA327

Overhaul Kits

	Mechanical Seal & O-Ring Kit (Starline)	ISO1900
	Mechanical Seal & O-Ring Kit (Starpro)	PRO1900

Motor (415V, 3 ph B35)

		2 Pole (kW)		
		4.0	5.5	7.5
-	Motor	XZM007	XZM008	XZM009
13	Bell Housing	SEA211	SEA221	SEA221
-	Safety Guard - Left	SEA205	SEA204	SEA204
-	Safety Guard - Right	SEA205	SEA204	SEA204
14	Motor Clamp Kit	SEA238-ZS	SEA238-ZS	SEA240-ZS
-	Bolt Kit	PYC104-S	PYC107-S	PYC107-S
-	NOL Impeller Size (mm)	155	170	182
		4 Pole (kW)		
		0.55	0.75	1.1
-	Motor	XZM041	XZM042	XZM043
13	Bell Housing	SEA201	SEA201	SEA201
-	Safety Guard - Left	SEA203	SEA203	SEA203
-	Safety Guard - Right	SEA203	SEA203	SEA203
14	Motor Clamp Kit	SEA219-ZS	SEA224-ZS	SEA224-ZS
-	Bolt Kit	PYC100-S	PYC100-S	PYC100-S
-	NOL Impeller Size (mm)	157	175	182

Note: NOL Impeller sizes to suit TECO Monarch GX motor. Impeller size may vary if other motors are used.



CENTRIFUGAL PUMPS

ISO STAR-LINE

Code:

MEC

Model:

80x65-160

No.1 SHAFT MODULE

Illus No.	Description	Material	Part no.
2	Volute Casing - Table E	Cast Iron	SEC002
2	Volute Casing - Table E	Zinc Free Bronze	SEC052
2	Volute Casing - Table E	316SS	SEC062
3	Impeller	Cast Iron	SEC003
3	Impeller	Zinc Free Bronze	SEC053
3	Impeller	316SS	SEC063
4	Backplate - Mech Seal	Cast Iron	SEA004
4	Backplate - Mech Seal	Zinc Free Bronze	SEA054
4	Backplate - Mech Seal	316SS	SEA064
7	Impeller Lock Washer	316SS	SEA007B
15	Extension Shaft Kit	316SS	SEA215-ZS
21	Mechanical Seal	33mm Carbon / Ceramic / Nitrile	XMS033K
21	Mechanical Seal	33mm Silicon Carbide / Silicon Carbide / Viton	XMS133
46	Impeller Nut	316SS	SEA046B
A	Impeller Key	Key Steel	432900126
A	Impeller Key	316SS	NFA061
B	Volute Casing Plug	Mild Steel - Zinc Plated	489069004
C	Discharge Drain Plug	Mild Steel - Zinc Plated	489069002
D	Casing O-ring	Nitrile Rubber	383002041
D	Casing O-ring	Viton	383007041

Optional Wear Rings

A	Wear Ring - Backplate	ZF Bronze	SEA027
A	Wear Ring - Backplate	316SS	SEA327
B	Wear Ring - Impeller Rear	ZF Bronze	SEA026
B	Wear Ring - Impeller Rear	316SS	SEA326
C	Wear Ring - Impeller Front	ZF Bronze	SEC026
C	Wear Ring - Impeller Front	316SS	SEC326
D	Wear Ring - Volute Casing	ZF Bronze	SEC027
D	Wear Ring - Volute Casing	316SS	SEC327

Overhaul Kits

Mechanical Seal & O-Ring Kit (Starline)	ISO1900
Mechanical Seal & O-Ring Kit (Starpro)	PRO1900

Motor (415V, 3 ph B35)

		2 Pole (kW)			
		5.5	7.5	11	15
-	Motor	XZM008	XZM009	XZM011	XZM012
13	Bell Housing	SEA221	SEA221	SEA231	SEA231
-	Safety Guard - Left	SEA205	SEA205	SEA205	SEA205
-	Safety Guard - Right	SEA205	SEA205	SEA205	SEA205
14	Motor Clamp Kit	SEA238-ZS	SEA238-ZS	SEA240-ZS	SEA240-ZS
-	Bolt Kit	PYC107-S	PYC107-S	PYC109-S	PYC109-S
-	NOL Impeller Size (mm)	146	160	179	182
		4 Pole (kW)			
		0.75	1.1	1.5	
-	Motor	XZM042	XZM043	XZM044	
13	Bell Housing	SEA201	SEA201	SEA201	
-	Safety Guard - Left	SEA203	SEA203	SEA203	
-	Safety Guard - Right	SEA203	SEA203	SEA203	
14	Motor Clamp Kit	SEA219-ZS	SEA224-ZS	SEA224-ZS	
-	Bolt Kit	PYC100-S	PYC100-S	PYC100-S	
-	NOL Impeller Size (mm)	152	171	182	

Note: NOL Impeller sizes to suit TECO Monarch GX motor. Impeller size may vary if other motors are used.

**CENTRIFUGAL PUMPS****ISO STAR-LINE**

Code:

MFA

Model:

50x32-200**No.1 SHAFT MODULE**

Illus No.	Description	Material	Part no.
2	Volute Casing - Table E	Cast Iron	SFA002
2	Volute Casing - Table E	Zinc Free Bronze	SFA052
2	Volute Casing - Table E	316SS	SFA062
3	Impeller	Cast Iron	SFA003
3	Impeller	Zinc Free Bronze	SFA053
3	Impeller	316SS	SFA063
4	Backplate - Mech Seal	Cast Iron	SFA004
4	Backplate - Mech Seal	Zinc Free Bronze	SFA054
4	Backplate - Mech Seal	316SS	SFA064
7	Impeller Lock Washer	316SS	SEA007B
15	Extension Shaft Kit	316SS	SEA215-ZS
21	Mechanical Seal	33mm Carbon / Ceramic / Nitrile	XMS033K
21	Mechanical Seal	33mm Silicon Carbide / Silicon Carbide / Viton	XMS133
46	Impeller Nut	316SS	SEA046B
A	Impeller Key	Key Steel	432900126
A	Impeller Key	316SS	NFA061
B	Volute Casing Plug	Mild Steel - Zinc Plated	489069004
C	Discharge Drain Plug	Mild Steel - Zinc Plated	489069002
D	Casing O-ring	Nitrile Rubber	383002048
D	Casing O-ring	Viton	383007048

Optional Wear Rings

A	Wear Ring - Backplate	ZF Bronze	SEC027
A	Wear Ring - Backplate	316SS	SEC327
B	Wear Ring - Impeller Rear	ZF Bronze	SEC026
B	Wear Ring - Impeller Rear	316SS	SEC326
C	Wear Ring - Impeller Front	ZF Bronze	SEA026
C	Wear Ring - Impeller Front	316SS	SEA326
D	Wear Ring - Volute Casing	ZF Bronze	SEA027
D	Wear Ring - Volute Casing	316SS	SEA327

Overhaul Kits

Mechanical Seal & O-Ring Kit (Starline)	ISO1900
Mechanical Seal & O-Ring Kit (Starpro)	PRO1901

Motor (415V, 3 ph B35)

		2 Pole (kW)		
		5.5	7.5	11
-	Motor	XZM008	XZM009	XZM011
13	Bell Housing	SEA221	SEA221	SEA231
-	Safety Guard - Left	SEA205	SEA205	SEA205
-	Safety Guard - Right	SEA205	SEA205	SEA205
14	Motor Clamp Kit	SEA238-ZS	SEA238-ZS	SEA240-ZS
-	Bolt Kit	PYC108-S	PYC108-S	PYC110-S
-	NOL Impeller Size (mm)	192	212	228
		4 Pole (kW)		
		0.75	1.1	1.5
-	Motor	XZM042	XZM043	XZM044
13	Bell Housing	SEA201	SEA201	SEA201
-	Safety Guard - Left	SEA203	SEA203	SEA203
-	Safety Guard - Right	SEA203	SEA203	SEA203
14	Motor Clamp Kit	SEA219-ZS	SEA224-ZS	SEA224-ZS
-	Bolt Kit	PYC101-S	PYC101-S	PYC101-S
-	NOL Impeller Size (mm)	195	224	228

Note: NOL Impeller sizes to suit TECO Monarch GX motor. Impeller size may vary if other motors are used.

**CENTRIFUGAL PUMPS****ISO STAR-LINE**

Code:

MFB

Model:

65x40-200**No.1 SHAFT MODULE**

Illus No.	Description	Material	Part no.
2	Volute Casing - Table E	Cast Iron	SFB002
2	Volute Casing - Table E	Zinc Free Bronze	SFB052
2	Volute Casing - Table E	316SS	SFB062
3	Impeller	Cast Iron	SFB003
3	Impeller	Zinc Free Bronze	SFB053
3	Impeller	316SS	SFB063
4	Backplate - Mech Seal	Cast Iron	SFA004
4	Backplate - Mech Seal	Zinc Free Bronze	SFA054
4	Backplate - Mech Seal	316SS	SFA064
7	Impeller Lock Washer	316SS	SEA007B
15	Extension Shaft Kit	316SS	SEA215-ZS
21	Mechanical Seal	33mm Carbon / Ceramic / Nitrile	XMS033K
21	Mechanical Seal	33mm Silicon Carbide / Silicon Carbide / Viton	XMS133
46	Impeller Nut	316SS	SEA046B
A	Impeller Key	Key Steel	432900126
A	Impeller Key	316SS	NFA061
B	Volute Casing Plug	Mild Steel - Zinc Plated	489069004
C	Discharge Drain Plug	Mild Steel - Zinc Plated	489069002
D	Casing O-ring	Nitrile Rubber	383002048
D	Casing O-ring	Viton	383007048

Optional Wear Rings

A	Wear Ring - Backplate	ZF Bronze	SEC027
A	Wear Ring - Backplate	316SS	SEC327
B	Wear Ring - Impeller Rear	ZF Bronze	SEC026
B	Wear Ring - Impeller Rear	316SS	SEC326
C	Wear Ring - Impeller Front	ZF Bronze	SEA026
C	Wear Ring - Impeller Front	316SS	SEA326
D	Wear Ring - Volute Casing	ZF Bronze	SEA027
D	Wear Ring - Volute Casing	316SS	SEA327

Overhaul Kits

	Mechanical Seal & O-Ring Kit (Starline)	ISO1900
	Mechanical Seal & O-Ring Kit (Starpro)	PRO1901

Motor (415V, 3 ph B35)

		2 Pole (kW)		
		7.5	11	15
-	Motor	XZM009	XZM011	XZM012
13	Bell Housing	SEA221	SEA231	SEA231
-	Safety Guard - Left	SEA205	SEA205	SEA205
-	Safety Guard - Right	SEA205	SEA205	SEA205
14	Motor Clamp Kit	SEA238-ZS	SEA240-ZS	SEA240-ZS
-	Bolt Kit	PYC108-S	PYC110-S	PYC110-S
-	NOL Impeller Size (mm)	191	215	228
		4 Pole (kW)		
		1.1	1.5	2.2
-	Motor	XZM043	XZM044	XZM045
13	Bell Housing	SEA201	SEA201	SEA211
-	Safety Guard - Left	SEA203	SEA203	SEA204
-	Safety Guard - Right	SEA203	SEA203	SEA204
14	Motor Clamp Kit	SEA224-ZS	SEA224-ZS	SEA228-ZS
-	Bolt Kit	PYC101-S	PYC101-S	PYC105-S
-	NOL Impeller Size (mm)	200	224	228

Note: NOL Impeller sizes to suit TECO Monarch GX motor. Impeller size may vary if other motors are used.

**CENTRIFUGAL PUMPS****ISO STAR-LINE**

Code:

MFC

Model:

80x50-200**No.1 SHAFT MODULE**

Illus No.	Description	Material	Part no.
2	Volute Casing - Table E	Cast Iron	SFC002
2	Volute Casing - Table E	Zinc Free Bronze	SFC052
2	Volute Casing - Table E	316SS	SFC062
3	Impeller	Cast Iron	SFC003
3	Impeller	Zinc Free Bronze	SFC053
3	Impeller	316SS	SFC063
4	Backplate - Mech Seal	Cast Iron	SFA004
4	Backplate - Mech Seal	Zinc Free Bronze	SFA054
4	Backplate - Mech Seal	316SS	SFA064
7	Impeller Lock Washer	316SS	SEA007B
15	Extension Shaft Kit	316SS	SEA215-ZS
21	Mechanical Seal	33mm Carbon / Ceramic / Nitrile	XMS033K
21	Mechanical Seal	33mm Silicon Carbide / Silicon Carbide / Viton	XMS133
46	Impeller Nut	316SS	SEA046B
A	Impeller Key	Key Steel	432900126
A	Impeller Key	316SS	NFA061
B	Volute Casing Plug	Mild Steel - Zinc Plated	489069004
C	Discharge Drain Plug	Mild Steel - Zinc Plated	489069002
D	Casing O-ring	Nitrile Rubber	383002048
D	Casing O-ring	Viton	383007048

Optional Wear Rings

A	Wear Ring - Backplate	ZF Bronze	SEC027
A	Wear Ring - Backplate	316SS	SEC327
B	Wear Ring - Impeller Rear	ZF Bronze	SEC026
B	Wear Ring - Impeller Rear	316SS	SEC326
C	Wear Ring - Impeller Front	ZF Bronze	SEC026
C	Wear Ring - Impeller Front	316SS	SEC326
D	Wear Ring - Volute Casing	ZF Bronze	SEC027
D	Wear Ring - Volute Casing	316SS	SEC327

Overhaul Kits

Mechanical Seal & O-Ring Kit (Starline)	ISO1900
Mechanical Seal & O-Ring Kit (Starpro)	PRO1901

Motor (415V, 3 ph B35)

	2 Pole (kW)			
	11	15	18.5	22
- Motor	XZM011	XZM012	XZM013	XZM014
13 Bell Housing	SEA231	SEA231	SEA231	SEA231
- Safety Guard - Left	SEA205	SEA205	SEA205	SEA205
- Safety Guard - Right	SEA205	SEA205	SEA205	SEA205
14 Motor Clamp Kit	SEA240-ZS	SEA240-ZS	SEA240-ZS	SEA248-ZS
- Bolt Kit	PYC110-S	PYC110-S	PYC110-S	PYC110-S
- NOL Impeller Size (mm)	188	206	219	228
	4 Pole (kW)			
	1.5	2.2	3.0	
- Motor	XZM044	XZM045	XZM046	
13 Bell Housing	SEA201	SEA211	SEA211	
- Safety Guard - Left	SEA203	SEA204	SEA204	
- Safety Guard - Right	SEA203	SEA204	SEA204	
14 Motor Clamp Kit	SEA224-ZS	SEA228-ZS	SEA228-ZS	
- Bolt Kit	PYC101-S	PYC105-S	PYC105-S	
- NOL Impeller Size (mm)	196	219	228	

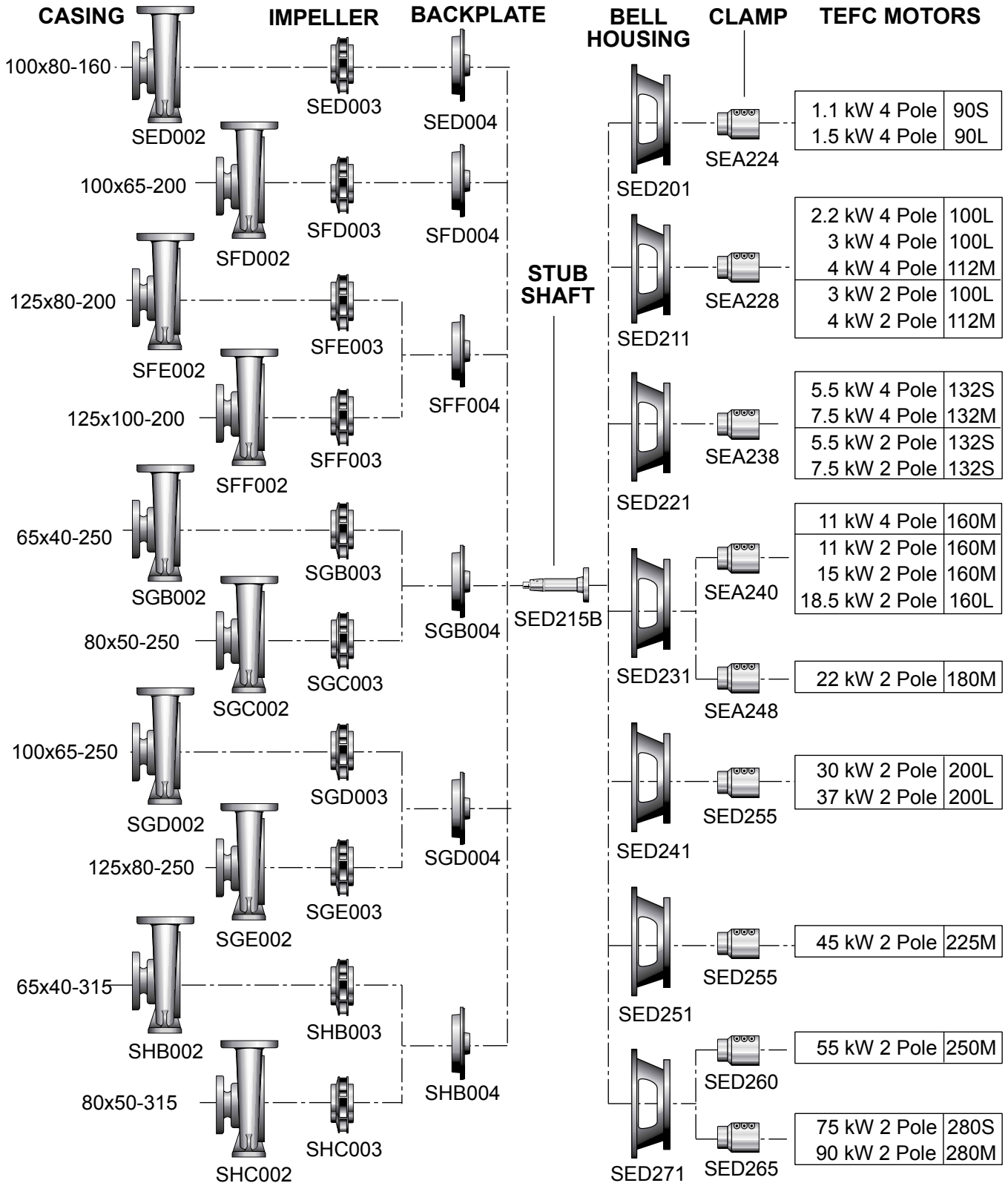
Note: NOL Impeller sizes to suit TECO Monarch GX motor. Impeller size may vary if other motors are used.



CENTRIFUGAL PUMPS

ISO STAR-LINE

No. 2 SHAFT MODULE - T.E.F.C. MOTORS



**CENTRIFUGAL PUMPS****ISO STAR-LINE**

Code:

MED

Model:

100x80-160**No.2 SHAFT MODULE**

Illus No.	Description	Material	Part no.
2	Volute Casing - Table E	Cast Iron	SED002
2	Volute Casing - Table E	Zinc Free Bronze	SED052
2	Volute Casing - Table E	316SS	SED062
3	Impeller	Cast Iron	SED003
3	Impeller	Zinc Free Bronze	SED053
3	Impeller	316SS	SED063
4	Backplate - Mech Seal	Cast Iron	SED004
4	Backplate - Mech Seal	Zinc Free Bronze	SED054
4	Backplate - Mech Seal	316SS	SED064
7	Impeller Lock Washer	316SS	SED007B
15	Extension Shaft Kit	316SS	SED215-ZS
21	Mechanical Seal	43mm Carbon / Ceramic / Nitrile	XMS043K
21	Mechanical Seal	43mm Silicon Carbide / Silicon Carbide / Viton	XMS0143
46	Impeller Nut	316SS	SED046B
A	Impeller Key	Key Steel	432900168
A	Impeller Key	316SS	NFE061
B	Volute Casing Plug	Mild Steel - Zinc Plated	489069004
C	Discharge Drain Plug	Mild Steel - Zinc Plated	489069004
D	Casing O-ring	Nitrile Rubber	383002048
D	Casing O-ring	Viton	383007048

Optional Wear Rings

A	Wear Ring - Backplate	ZF Bronze	SED027
A	Wear Ring - Backplate	316SS	SED327
B	Wear Ring - Impeller Rear	ZF Bronze	SED026
B	Wear Ring - Impeller Rear	316SS	SED326
C	Wear Ring - Impeller Front	ZF Bronze	SED026
C	Wear Ring - Impeller Front	316SS	SED326
D	Wear Ring - Volute Casing	ZF Bronze	SED027
D	Wear Ring - Volute Casing	316SS	SED327

Overhaul Kits

Mechanical Seal & O-Ring Kit (Starline)	ISO2900
Mechanical Seal & O-Ring Kit (Starpro)	PRO2900

Motor (415V, 3 ph B35)

		2 Pole (kW)			
		11	15	18.5	
-	Motor	XZM011	XZM012	XZM013	
13	Bell Housing	SED231	SED231	SED231	
-	Safety Guard - Left	SED205	SED205	SED205	
-	Safety Guard - Right	SED205	SED205	SED205	
14	Motor Clamp Kit	SEA240-ZS	SEA240-ZS	SEA240-ZS	
-	Bolt Kit	PYC118-S	PYC118-S	PYC118-S	
-	NOL Impeller Size (mm)	156	171	182	
		4 Pole (kW)			
		1.1	1.5	2.2	3.0
-	Motor	XZM043	XZM044	XZM045	XZM046
13	Bell Housing	SED201	SED201	SED211	SED211
-	Safety Guard - Left	SED203	SED203	SED204	SED204
-	Safety Guard - Right	SED203	SED203	SED204	SED204
14	Motor Clamp Kit	SEA224-ZS	SEA224-ZS	SEA228-ZS	SEA228-ZS
-	Bolt Kit	PYC112-S	PYC112-S	PYC114-S	PYC114-S
-	NOL Impeller Size (mm)	150	165	181	182

Note: NOL Impeller sizes to suit TECO Monarch GX motor. Impeller size may vary if other motors are used.



CENTRIFUGAL PUMPS

ISO STAR-LINE

Code:	MFD
Model:	100x65-200

No.2 SHAFT MODULE

Illus No.	Description	Material	Part no.
2	Volute Casing - Table E	Cast Iron	SFD002
2	Volute Casing - Table E	Zinc Free Bronze	SFD052
2	Volute Casing - Table E	316SS	SFD062
3	Impeller	Cast Iron	SFD003
3	Impeller	Zinc Free Bronze	SFD053
3	Impeller	316SS	SFD063
4	Backplate - Mech Seal	Cast Iron	SFD004
4	Backplate - Mech Seal	Zinc Free Bronze	SFD054
4	Backplate - Mech Seal	316SS	SFD064
7	Impeller Lock Washer	316SS	SED007B
15	Extension Shaft Kit	316SS	SED215-ZS
21	Mechanical Seal	43mm Carbon / Ceramic / Nitrile	XMS043K
21	Mechanical Seal	43mm Silicon Carbide / Silicon Carbide / Viton	XMS143
46	Impeller Nut	316SS	SED046B
A	Impeller Key	Key Steel	432900168
A	Impeller Key	316SS	NFE061
B	Volute Casing Plug	Mild Steel - Zinc Plated	489069004
C	Discharge Drain Plug	Mild Steel - Zinc Plated	489069002
D	Casing O-ring	Nitrile Rubber	383002048
D	Casing O-ring	Viton	383007048

Optional Wear Rings

A	Wear Ring - Backplate	ZF Bronze	SED027
A	Wear Ring - Backplate	316SS	SED327
B	Wear Ring - Impeller Rear	ZF Bronze	SED026
B	Wear Ring - Impeller Rear	316SS	SED326
C	Wear Ring - Impeller Front	ZF Bronze	SED026
C	Wear Ring - Impeller Front	316SS	SED326
D	Wear Ring - Volute Casing	ZF Bronze	SED027
D	Wear Ring - Volute Casing	316SS	SED327

Overhaul Kits

Mechanical Seal & O-Ring Kit (Starline)	ISO2900
Mechanical Seal & O-Ring Kit (Starpro)	PRO2900

Motor (415V, 3 ph B35)

		2 Pole (kW)			
		18.5	22	30	37
-	Motor	XZM013	XZM014	XZM015	XZM016
13	Bell Housing	SED231	SED231	SED241	SED241
-	Safety Guard - Left	SED205	SED205	SED205	SED205
-	Safety Guard - Right	SED205	SED205	SED205	SED205
14	Motor Clamp Kit	SEA240-ZS	SEA248-ZS	SED255-ZS	SED255-ZS
-	Bolt Kit	PYC118-S	PYC118-S	PYC118-S	PYC118-S
-	NOL Impeller Size (mm)	187	196	216	228
		4 Pole (kW)			
		2.2	3.0	4.0	5.5
-	Motor	XZM045	XZM046	XZM047	XZM048
13	Bell Housing	SED211	SED211	SED211	SED221
-	Safety Guard - Left	SED204	SED204	SED204	SED205
-	Safety Guard - Right	SED204	SED204	SED204	SED205
14	Motor Clamp Kit	SEA228-ZS	SEA228-ZS	SEA228-ZS	SEA238-S
-	Bolt Kit	PYC114-S	PYC114-S	PYC114-S	PYC116-S
-	NOL Impeller Size (mm)	185	203	220	228

Note: NOL Impeller sizes to suit TECO Monarch GX motor. Impeller size may vary if other motors are used.



**CENTRIFUGAL PUMPS****ISO STAR-LINE**

Code:

MFE

Model:

125x80-200**No.2 SHAFT MODULE**

Illus No.	Description	Material	Part no.
2	Volute Casing - Table E	Cast Iron	SFE002
2	Volute Casing - Table E	Zinc Free Bronze	SFE052
2	Volute Casing - Table E	316SS	SFE062
3	Impeller	Cast Iron	SFE003
3	Impeller	Zinc Free Bronze	SFE053
3	Impeller	316SS	SFE063
4	Backplate - Mech Seal	Cast Iron	SFF004
4	Backplate - Mech Seal	Zinc Free Bronze	SFF054
4	Backplate - Mech Seal	316SS	SFF064
7	Impeller Lock Washer	316SS	SED007B
15	Extension Shaft Kit	316SS	SED215-ZS
21	Mechanical Seal	43mm Carbon / Ceramic / Nitrile	XMS043K
21	Mechanical Seal	43mm Silicon Carbide / Silicon Carbide / Viton	XMS143
46	Impeller Nut	316SS	SED046B
A	Impeller Key	Key Steel	432900168
A	Impeller Key	316SS	NFE061
B	Volute Casing Plug	Mild Steel - Zinc Plated	489069004
C	Discharge Drain Plug	Mild Steel - Zinc Plated	489069004
D	Casing O-ring	Nitrile Rubber	383002048
D	Casing O-ring	Viton	383007048

Optional Wear Rings

A	Wear Ring - Backplate	ZF Bronze	SFF027
A	Wear Ring - Backplate	316SS	SFF327
B	Wear Ring - Impeller Rear	ZF Bronze	SFF026
B	Wear Ring - Impeller Rear	316SS	SFF326
C	Wear Ring - Impeller Front	ZF Bronze	SFF026
C	Wear Ring - Impeller Front	316SS	SFF326
D	Wear Ring - Volute Casing	ZF Bronze	SFF027
D	Wear Ring - Volute Casing	316SS	SFF327

Overhaul Kits

Mechanical Seal & O-Ring Kit (Starline)	ISO2900
Mechanical Seal & O-Ring Kit (Starpro)	PRO2900

Motor (415V, 3 ph B35)

		2 Pole (kW)			
		22	30	37	45
-	Motor	XZM014	XZM015	XZM016	XZM017
13	Bell Housing	SED231	SED241	SED241	SED251
-	Safety Guard - Left	SED205	SED205	SED205	SED207L
-	Safety Guard - Right	SED205	SED205	SED205	SED207R
14	Motor Clamp Kit	SEA248-ZS	SED255-ZS	SED255-ZS	SED255-ZS
-	Bolt Kit	PYC118-S	PYC118-S	PYC118-S	PYC125-S
-	NOL Impeller Size (mm)	184	200	214	228
		4 Pole (kW)			
		3.0	4.0	5.5	7.5
-	Motor	XZM046	XZM047	XZM048	XZM049
13	Bell Housing	SED211	SED211	SED221	SED221
-	Safety Guard - Left	SED204	SED204	SED205	SED205
-	Safety Guard - Right	SED204	SED204	SED205	SED205
14	Motor Clamp Kit	SEA228-ZS	SEA228-ZS	SEA238-S	SEA238-ZS
-	Bolt Kit	PYC114-S	PYC114-S	PYC116-S	PYC116-S
-	NOL Impeller Size (mm)	191	207	224	228

Note: NOL Impeller sizes to suit TECO Monarch GX motor. Impeller size may vary if other motors are used.

**CENTRIFUGAL PUMPS****ISO STAR-LINE**

Code:

MFF

Model:

125x100-200**No.2 SHAFT MODULE**

Illus No.	Description	Material	Part no.
2	Volute Casing - Table E	Cast Iron	SFF002
2	Volute Casing - Table E	Zinc Free Bronze	SFF052
2	Volute Casing - Table E	316SS	SFF062
3	Impeller	Cast Iron	SFF003
3	Impeller	Zinc Free Bronze	SFF053
3	Impeller	316SS	SFF063
4	Backplate - Mech Seal	Cast Iron	SFF004
4	Backplate - Mech Seal	Zinc Free Bronze	SFF054
4	Backplate - Mech Seal	316SS	SFF064
7	Impeller Lock Washer	316SS	SED007B
15	Extension Shaft Kit	316SS	SED215-ZS
21	Mechanical Seal	43mm Carbon / Ceramic / Nitrile	XMS043K
21	Mechanical Seal	43mm Silicon Carbide / Silicon Carbide / Viton	XMS143
46	Impeller Nut	316SS	SED046B
A	Impeller Key	Key Steel	432900168
A	Impeller Key	316SS	NFE061
B	Volute Casing Plug	Mild Steel - Zinc Plated	489069006
C	Discharge Drain Plug	Mild Steel - Zinc Plated	489069004
D	Casing O-ring	Nitrile Rubber	383002048
D	Casing O-ring	Viton	383007048

Optional Wear Rings

A	Wear Ring - Backplate	ZF Bronze	SFF027
A	Wear Ring - Backplate	316SS	SFF327
B	Wear Ring - Impeller Rear	ZF Bronze	SFF026
B	Wear Ring - Impeller Rear	316SS	SFF326
C	Wear Ring - Impeller Front	ZF Bronze	SFF026
C	Wear Ring - Impeller Front	316SS	SFF326
D	Wear Ring - Volute Casing	ZF Bronze	SFF027
D	Wear Ring - Volute Casing	316SS	SFF327

Overhaul Kits

Mechanical Seal & O-Ring Kit (Starline)	ISO2900
Mechanical Seal & O-Ring Kit (Starpro)	PRO2900

Motor (415V, 3 ph B35)

		2 Pole (kW)				
		30	37	45	55	75
-	Motor	XZM015	XZM016	XZM017	XZM018	XZM019
13	Bell Housing	SED241	SED241	SED251	SED271	SED271
-	Safety Guard - Left	SED205	SED205	SED207L	SED208L	SED208L
-	Safety Guard - Right	SED205	SED205	SED207R	SED208R	SED208R
14	Motor Clamp Kit	SED255-ZS	SED255-ZS	SED255-ZS	SED260-ZS	SED265-ZS
-	Bolt Kit	PYC118-S	PYC118-S	PYC125-S	PYC125-S	PYC125-S
-	NOL Impeller Size (mm)	188	199	210	223	228
		4 Pole (kW)				
		4.0	5.5	7.5		
-	Motor	XZM047	XZM048	XZM049		
13	Bell Housing	SED211	SED221	SED221		
-	Safety Guard - Left	SED204	SED205	SED205		
-	Safety Guard - Right	SED204	SED205	SED205		
14	Motor Clamp Kit	SEA228-ZS	SEA238-S	SEA238-ZS		
-	Bolt Kit	PYC114-S	PYC116-S	PYC116-S		
-	NOL Impeller Size (mm)	194	210	228		

Note: NOL Impeller sizes to suit TECO Monarch GX motor. Impeller size may vary if other motors are used.



CENTRIFUGAL PUMPS

ISO STAR-LINE

Code:

MGB

Model:

65x40-250

No.2 SHAFT MODULE

Illus No.	Description	Material	Part no.
2	Volute Casing - Table E	Cast Iron	SGB002
2	Volute Casing - Table E	Zinc Free Bronze	SGB052
2	Volute Casing - Table E	316SS	SGB062
3	Impeller	Cast Iron	SGB003
3	Impeller	Zinc Free Bronze	SGB053
3	Impeller	316SS	SGB063
4	Backplate - Mech Seal	Cast Iron	SGB004
4	Backplate - Mech Seal	Zinc Free Bronze	SGB054
4	Backplate - Mech Seal	316SS	SGB064
7	Impeller Lock Washer	316SS	SED007B
15	Extension Shaft Kit	316SS	SED215-ZS
21	Mechanical Seal	43mm Carbon / Ceramic / Nitrile	XMS043K
21	Mechanical Seal	43mm Silicon Carbide / Silicon Carbide / Viton	XMS143
46	Impeller Nut	316SS	SED046B
A	Impeller Key	Key Steel	432900168
A	Impeller Key	316SS	NFE061
B	Volute Casing Plug	Mild Steel - Zinc Plated	489069004
C	Discharge Drain Plug	Mild Steel - Zinc Plated	489069002
D	Casing O-ring	Nitrile Rubber	383002276
D	Casing O-ring	Viton	383007276

Optional Wear Rings

A	Wear Ring - Backplate	ZF Bronze	SGB027
A	Wear Ring - Backplate	316SS	SGB327
B	Wear Ring - Impeller Rear	ZF Bronze	SGB026
B	Wear Ring - Impeller Rear	316SS	SGB326
C	Wear Ring - Impeller Front	ZF Bronze	SEC026
C	Wear Ring - Impeller Front	316SS	SEC326
D	Wear Ring - Volute Casing	ZF Bronze	SEC027
D	Wear Ring - Volute Casing	316SS	SEC327

Overhaul Kits

	Mechanical Seal & O-Ring Kit (Starline)	ISO2900
	Mechanical Seal & O-Ring Kit (Starpro)	PRO2901

Motor (415V, 3 ph B35)

		2 Pole (kW)				
		11	15	18.5	22	30
-	Motor	XZM011	XZM012	XZM013	XZM014	XZM015
13	Bell Housing	SED231	SED231	SED231	SED231	SED241
-	Safety Guard - Left	SED205	SED205	SED205	SED205	SED205
-	Safety Guard - Right	SED205	SED205	SED205	SED205	SED205
14	Motor Clamp Kit	SEA240-ZS	SEA240-ZS	SEA240-ZS	SEA248-ZS	SED255-ZS
-	Bolt Kit	PYC119-S	PYC119-S	PYC119-S	PYC119-S	PYC119-S
-	NOL Impeller Size (mm)	222	246	262	275	278
		4 Pole (kW)				
		1.5	2.2	3.0		
-	Motor	XZM044	XZM045	XZM046		
13	Bell Housing	SED201	SED211	SED211		
-	Safety Guard - Left	SED203	SED204	SED204		
-	Safety Guard - Right	SED203	SED204	SED204		
14	Motor Clamp Kit	SEA224-ZS	SEA228-ZS	SEA228-ZS		
-	Bolt Kit	PYC113-S	PYC115-S	PYC115-S		
-	NOL Impeller Size (mm)	229	256	278		

Note: NOL Impeller sizes to suit TECO Monarch GX motor. Impeller size may vary if other motors are used.



CENTRIFUGAL PUMPS

ISO STAR-LINE

Code:

MGC

Model:

80x50-250

No.2 SHAFT MODULE

Illus No.	Description	Material	Part no.
2	Volute Casing - Table E	Cast Iron	SGC002
2	Volute Casing - Table E	Zinc Free Bronze	SGC052
2	Volute Casing - Table E	316SS	SGC062
3	Impeller	Cast Iron	SGC003
3	Impeller	Zinc Free Bronze	SGC053
3	Impeller	316SS	SGC063
4	Backplate - Mech Seal	Cast Iron	SGB004
4	Backplate - Mech Seal	Zinc Free Bronze	SGB054
4	Backplate - Mech Seal	316SS	SGB064
7	Impeller Lock Washer	316SS	SED007B
15	Extension Shaft Kit	316SS	SED215-ZS
21	Mechanical Seal	43mm Carbon / Ceramic / Nitrile	XMS043K
21	Mechanical Seal	43mm Silicon Carbide / Silicon Carbide / Viton	XMS143
46	Impeller Nut	316SS	SED046B
A	Impeller Key	Key Steel	432900168
A	Impeller Key	316SS	NFE061
B	Volute Casing Plug	Mild Steel - Zinc Plated	489069004
C	Discharge Drain Plug	Mild Steel - Zinc Plated	489069002
D	Casing O-ring	Nitrile Rubber	383002276
D	Casing O-ring	Viton	383007276

Optional Wear Rings

A	Wear Ring - Backplate	ZF Bronze	SGB027
A	Wear Ring - Backplate	316SS	SGB327
B	Wear Ring - Impeller Rear	ZF Bronze	SGB026
B	Wear Ring - Impeller Rear	316SS	SGB326
C	Wear Ring - Impeller Front	ZF Bronze	SGB026
C	Wear Ring - Impeller Front	316SS	SGB326
D	Wear Ring - Volute Casing	ZF Bronze	SGB027
D	Wear Ring - Volute Casing	316SS	SGB327

Overhaul Kits

	Mechanical Seal & O-Ring Kit (Starline)	ISO2900
	Mechanical Seal & O-Ring Kit (Starpro)	PRO2901

Motor (415V, 3 ph B35)

		2 Pole (kW)			
		22	30	37	45
-	Motor	XZM014	XZM015	XZM016	XZM017
13	Bell Housing	SED231	SED241	SED241	SED251
-	Safety Guard - Left	SED205	SED205	SED205	SED207L
-	Safety Guard - Right	SED205	SED205	SED205	SED207R
14	Motor Clamp Kit	SEA248-ZS	SED255-ZS	SED255-ZS	SED255-ZS
-	Bolt Kit	PYC119-S	PYC119-S	PYC119-S	PYC126-S
-	NOL Impeller Size (mm)	230	255	273	278

		4 Pole (kW)		
		3.0	4.0	5.5
-	Motor	XZM046	XZM047	XZM048
13	Bell Housing	SED211	SED211	SED221
-	Safety Guard - Left	SED204	SED204	SED205
-	Safety Guard - Right	SED204	SED204	SED205
14	Motor Clamp Kit	SEA228-ZS	SEA228-ZS	SEA238-ZS
-	Bolt Kit	PYC115-S	PYC115-S	PYC117-S
-	NOL Impeller Size (mm)	237	261	278

Note: NOL Impeller sizes to suit TECO Monarch GX motor. Impeller size may vary if other motors are used.



**CENTRIFUGAL PUMPS****ISO STAR-LINE**

Code:

MGD

Model:

100x65-250**No.2 SHAFT MODULE**

Illus No.	Description	Material	Part no.
2	Volute Casing - Table E	Cast Iron	SGD002
2	Volute Casing - Table E	Zinc Free Bronze	SGD052
2	Volute Casing - Table E	316SS	SGD062
3	Impeller	Cast Iron	SGD003
3	Impeller	Zinc Free Bronze	SGD053
3	Impeller	316SS	SGD063
4	Backplate - Mech Seal	Cast Iron	SGD004
4	Backplate - Mech Seal	Zinc Free Bronze	SGD054
4	Backplate - Mech Seal	316SS	SGD064
7	Impeller Lock Washer	316SS	SED007B
15	Extension Shaft Kit	316SS	SED215-ZS
21	Mechanical Seal	43mm Carbon / Ceramic / Nitrile	XMS043K
21	Mechanical Seal	43mm Silicon Carbide / Silicon Carbide / Viton	XMS143
46	Impeller Nut	316SS	SED046B
A	Impeller Key	Key Steel	432900168
A	Impeller Key	316SS	NFE061
B	Volute Casing Plug	Mild Steel - Zinc Plated	489069004
C	Discharge Drain Plug	Mild Steel - Zinc Plated	489069002
D	Casing O-ring	Nitrile Rubber	383002276
D	Casing O-ring	Viton	383007276

Optional Wear Rings

A	Wear Ring - Backplate	ZF Bronze	SED027
A	Wear Ring - Backplate	316SS	SED327
B	Wear Ring - Impeller Rear	ZF Bronze	SED026
B	Wear Ring - Impeller Rear	316SS	SED326
C	Wear Ring - Impeller Front	ZF Bronze	SED026
C	Wear Ring - Impeller Front	316SS	SED326
D	Wear Ring - Volute Casing	ZF Bronze	SED027
D	Wear Ring - Volute Casing	316SS	SED327

Overhaul Kits

Mechanical Seal & O-Ring Kit (Starline)	ISO2900
Mechanical Seal & O-Ring Kit (Starpro)	PRO2901

Motor (415V, 3 ph B35)

		2 Pole (kW)				
		30	37	45	55	75
-	Motor	XZM015	XZM016	XZM017	XZM018	XZM019
13	Bell Housing	SED241	SED241	SED251	SED271	SED271
-	Safety Guard - Left	SED205	SED205	SED207L	SED208L	SED208L
-	Safety Guard - Right	SED205	SED205	SED207R	SED208R	SED208R
14	Motor Clamp Kit	SED255-ZS	SED255-ZS	SED255-ZS	SED260-ZS	SED265-ZS
-	Bolt Kit	PYC119-S	PYC119-S	PYC126-S	PYC126-S	PYC126-S
-	NOL Impeller Size (mm)	225	240	254	272	278
		4 Pole (kW)				
		4.0	5.5	7.5		
-	Motor	XZM047	XZM048	XZM049		
13	Bell Housing	SED211	SED221	SED221		
-	Safety Guard - Left	SED204	SED204	SED204		
-	Safety Guard - Right	SED204	SED204	SED204		
14	Motor Clamp Kit	SEA228-ZS	SEA238-ZS	SEA238-ZS		
-	Bolt Kit	PYC115-S	PYC117-S	PYC117-S		
-	NOL Impeller Size (mm)	228	251	278		

Note: NOL Impeller sizes to suit TECO Monarch GX motor. Impeller size may vary if other motors are used.



CENTRIFUGAL PUMPS

ISO STAR-LINE

Code:	MGE
Model:	125x80-250

No.2 SHAFT MODULE

Illus No.	Description	Material	Part no.
2	Volute Casing - Table E	Cast Iron	SGE002
2	Volute Casing - Table E	Zinc Free Bronze	SGE052
2	Volute Casing - Table E	316SS	SGE062
3	Impeller	Cast Iron	SGE003
3	Impeller	Zinc Free Bronze	SGE053
3	Impeller	316SS	SGE063
4	Backplate - Mech Seal	Cast Iron	SGD004
4	Backplate - Mech Seal	Zinc Free Bronze	SGD054
4	Backplate - Mech Seal	316SS	SGD064
7	Impeller Lock Washer	316SS	SED007B
15	Extension Shaft Kit	316SS	SED215-ZS
21	Mechanical Seal	43mm Carbon / Ceramic / Nitrile	XMS043K
21	Mechanical Seal	43mm Silicon Carbide / Silicon Carbide / Viton	XMS143
46	Impeller Nut	316SS	SED046B
A	Impeller Key	Key Steel	432900168
A	Impeller Key	316SS	NFE061
B	Volute Casing Plug	Mild Steel - Zinc Plated	489069004
C	Discharge Drain Plug	Mild Steel - Zinc Plated	489069004
D	Casing O-ring	Nitrile Rubber	383002276
D	Casing O-ring	Viton	38307276

Optional Wear Rings

A	Wear Ring - Backplate	ZF Bronze	SED027
A	Wear Ring - Backplate	316SS	SED327
B	Wear Ring - Impeller Rear	ZF Bronze	SED026
B	Wear Ring - Impeller Rear	316SS	SED326
C	Wear Ring - Impeller Front	ZF Bronze	SFF026
C	Wear Ring - Impeller Front	316SS	SFF326
D	Wear Ring - Volute Casing	ZF Bronze	SFF027
D	Wear Ring - Volute Casing	316SS	SFF327

Overhaul Kits

	Mechanical Seal & O-Ring Kit (Starline)	ISO2900
	Mechanical Seal & O-Ring Kit (Starpro)	PRO2901

Motor (415V, 3 ph B35)

		2 Pole (kW)			
		45	55	75	90
-	Motor	XZM017	XZM018	XZM019	XZM020
13	Bell Housing	SED251	SED271	SED271	SED271
-	Safety Guard - Left	SED207L	SED208L	SED208L	SED208L
-	Safety Guard - Right	SED207R	SED208R	SED208R	SED208R
14	Motor Clamp Kit	SED255-ZS	SED260-ZS	SED265-ZS	SED265-ZS
-	Bolt Kit	PYC126-S	PYC126-S	PYC126-S	PYC126-S
-	NOL Impeller Size (mm)	231	245	274	278

		4 Pole (kW)		
		5.5	7.5	11
-	Motor	XZM048	XZM049	XZM051
13	Bell Housing	SED221	SED221	SED231
-	Safety Guard - Left	SED204	SED204	SED205
-	Safety Guard - Right	SED204	SED204	SED205
14	Motor Clamp Kit	SEA238-ZS	SEA238-ZS	SEA240-ZS
-	Bolt Kit	PYC117-S	PYC117-S	PYC117-S
-	NOL Impeller Size (mm)	231	254	278

Note: NOL Impeller sizes to suit TECO Monarch GX motor. Impeller size may vary if other motors are used.



**CENTRIFUGAL PUMPS****ISO STAR-LINE**

Code:

MHB

Model:

65x40-315**No.2 SHAFT MODULE**

Illus No.	Description	Material	Part no.
2	Volute Casing - Table E	Cast Iron	SHB002
2	Volute Casing - Table E	Zinc Free Bronze	SHB052
2	Volute Casing - Table E	316SS	SHB062
3	Impeller	Cast Iron	SHB003
3	Impeller	Zinc Free Bronze	SHB053
3	Impeller	316SS	SHB063
4	Backplate - Mech Seal	Cast Iron	SHB004
4	Backplate - Mech Seal	Zinc Free Bronze	SHB054
4	Backplate - Mech Seal	316SS	SHB064
7	Impeller Lock Washer	316SS	SED007B
15	Extension Shaft Kit	316SS	SED215-ZS
21	Mechanical Seal	43mm Carbon / Ceramic / Nitrile	XMS043K
21	Mechanical Seal	43mm Silicon Carbide / Silicon Carbide / Viton	XMS143
46	Impeller Nut	316SS	SED046B
A	Impeller Key	Key Steel	432900168
A	Impeller Key	316SS	NFE061
B	Volute Casing Plug	Mild Steel - Zinc Plated	489069002
C	Discharge Drain Plug	Mild Steel - Zinc Plated	489069002
D	Casing O-ring	Nitrile Rubber	383002279
D	Casing O-ring	Viton	383007279

Optional Wear Rings

A	Wear Ring - Backplate	ZF Bronze	SGB027
A	Wear Ring - Backplate	316SS	SGB327
B	Wear Ring - Impeller Rear	ZF Bronze	SGB026
B	Wear Ring - Impeller Rear	316SS	SGB326
C	Wear Ring - Impeller Front	ZF Bronze	SEC026
C	Wear Ring - Impeller Front	316SS	SEC326
D	Wear Ring - Volute Casing	ZF Bronze	SEC027
D	Wear Ring - Volute Casing	316SS	SEC327

Overhaul Kits

	Mechanical Seal & O-Ring Kit (Starline)	ISO2900
	Mechanical Seal & O-Ring Kit (Starpro)	PRO2902

Motor (415V, 3 ph B35)

		2 Pole (kW)			
		22	30	37	45
-	Motor	XZM014	XZM015	XZM016	XZM017
13	Bell Housing	SED231	SED241	SED241	SED251
-	Safety Guard - Left	SED205	SED205	SED205	SED207L
-	Safety Guard - Right	SED205	SED205	SED205	SED207R
14	Motor Clamp Kit	SEA248-ZS	SED255-ZS	SED255-ZS	SED255-ZS
-	Bolt Kit	PYC128-S	PYC128-S	PYC128-S	PYC130-S
-	NOL Impeller Size (mm)	286	314	335	342
		4 Pole (kW)			
		3.0	4.0	5.5	
-	Motor	XZM046	XZM047	XZM048	
13	Bell Housing	SED211	SED211	SED221	
-	Safety Guard - Left	SED204	SED204	SED205	
-	Safety Guard - Right	SED204	SED204	SED205	
14	Motor Clamp Kit	SEA228-ZS	SEA228-ZS	SEA238-ZS	
-	Bolt Kit	PYC129-S	PYC129-S	PYC127-S	
-	NOL Impeller Size (mm)	293	319	342	

Note: NOL Impeller sizes to suit TECO Monarch GX motor. Impeller size may vary if other motors are used.

**CENTRIFUGAL PUMPS****ISO STAR-LINE**

Code:

MHC

Model:

80x50-315**No.2 SHAFT MODULE**

Illus No.	Description	Material	Part no.
2	Volute Casing - Table E	Cast Iron	SHC002
2	Volute Casing - Table E	Zinc Free Bronze	SHC052
2	Volute Casing - Table E	316SS	SHC062
3	Impeller	Cast Iron	SHC003
3	Impeller	Zinc Free Bronze	SHC053
3	Impeller	316SS	SHC063
4	Backplate - Mech Seal	Cast Iron	SHB004
4	Backplate - Mech Seal	Zinc Free Bronze	SHB054
4	Backplate - Mech Seal	316SS	SHB064
7	Impeller Lock Washer	316SS	SED007B
15	Extension Shaft Kit	316SS	SED215-ZS
21	Mechanical Seal	43mm Carbon / Ceramic / Nitrile	XMS043K
21	Mechanical Seal	43mm Silicon Carbide / Silicon Carbide / Viton	XMS143
46	Impeller Nut	316SS	SED046B
A	Impeller Key	Key Steel	432900168
A	Impeller Key	316SS	NFE061
B	Volute Casing Plug	Mild Steel - Zinc Plated	489069004
C	Discharge Drain Plug	Mild Steel - Zinc Plated	489069002
D	Casing O-ring	Nitrile Rubber	383002279
D	Casing O-ring	Viton	383007279

Optional Wear Rings

A	Wear Ring - Backplate	ZF Bronze	SGB027
A	Wear Ring - Backplate	316SS	SGB327
B	Wear Ring - Impeller Rear	ZF Bronze	SGB026
B	Wear Ring - Impeller Rear	316SS	SGB326
C	Wear Ring - Impeller Front	ZF Bronze	SGB026
C	Wear Ring - Impeller Front	316SS	SGB326
D	Wear Ring - Volute Casing	ZF Bronze	SGB027
D	Wear Ring - Volute Casing	316SS	SGB327

Overhaul Kits

Mechanical Seal & O-Ring Kit (Starline)	ISO2900
Mechanical Seal & O-Ring Kit (Starpro)	PRO2902

Motor (415V, 3 ph B35)

		2 Pole (kW)				
		30	37	45	55	75
-	Motor	XZM015	XZM016	XZM017	XZM018	XZM019
13	Bell Housing	SED241	SED241	SED251	SED271	SED271
-	Safety Guard - Left	SED205	SED205	SED207L	SED208L	SED208L
-	Safety Guard - Right	SED205	SED205	SED207R	SED208R	SED208R
14	Motor Clamp Kit	SED255-ZS	SED255-ZS	SED255-ZS	SED260-ZS	SED265-ZS
-	Bolt Kit	PYC128-S	PYC128-S	PYC130-S	PYC130-S	PYC130-S
-	NOL Impeller Size (mm)	277	295	311	330	342
		4 Pole (kW)				
		4.0	5.5	7.5		
-	Motor	XZM047	XZM048	XZM049		
13	Bell Housing	SED211	SED221	SED221		
-	Safety Guard - Left	SED204	SED205	SED205		
-	Safety Guard - Right	SED204	SED205	SED205		
14	Motor Clamp Kit	SEA228-ZS	SEA238-ZS	SEA238-ZS		
-	Bolt Kit	PYC129-S	PYC127-S	PYC127-S		
-	NOL Impeller Size (mm)	282	311	342		

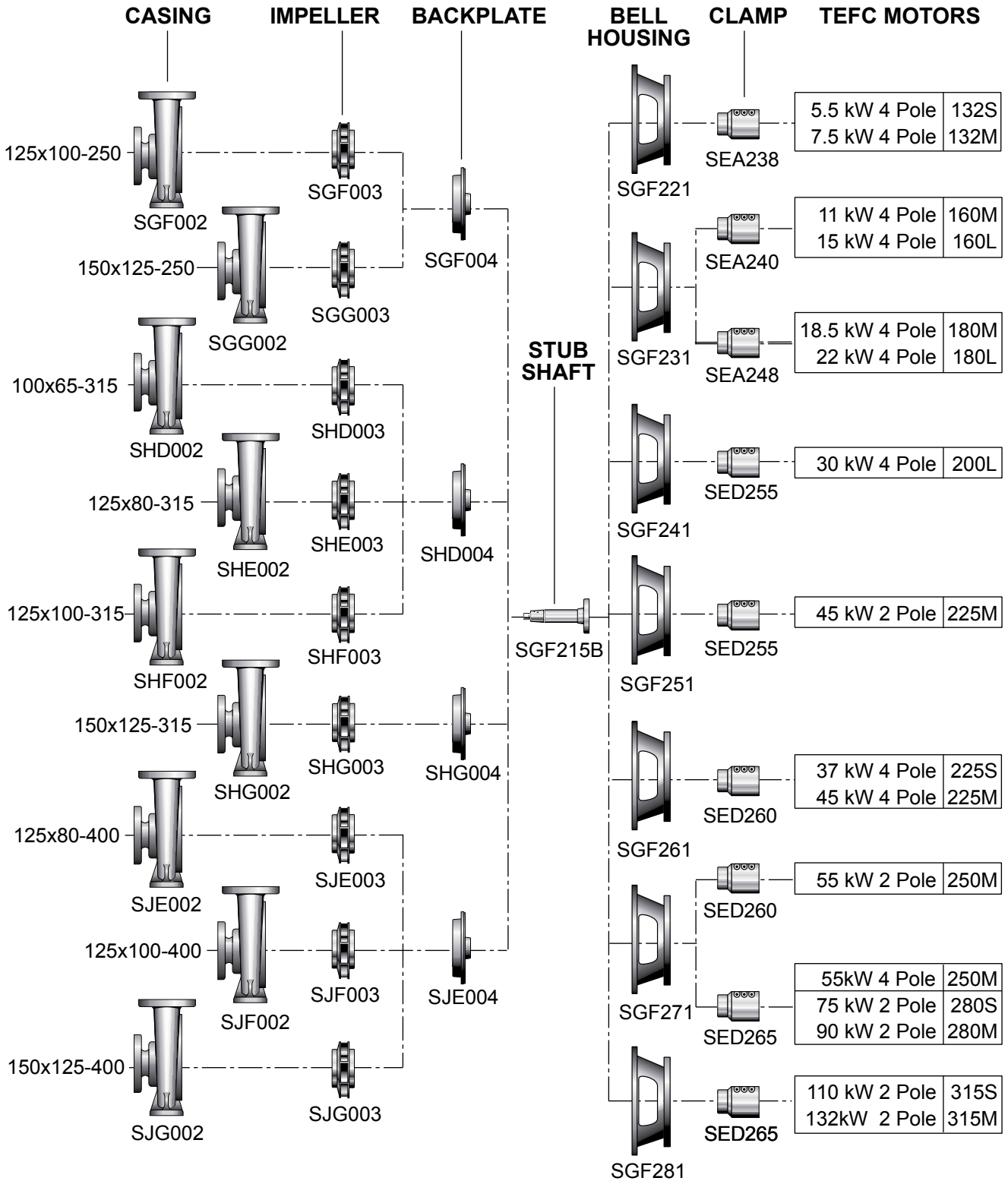
Note: NOL Impeller sizes to suit TECO Monarch GX motor. Impeller size may vary if other motors are used.



CENTRIFUGAL PUMPS

ISO STAR-LINE

No. 3 SHAFT MODULE - T.E.F.C. MOTORS



**CENTRIFUGAL PUMPS****ISO STAR-LINE**

Code:

MGF

Model:

125x100-250**No.3 SHAFT MODULE**

Illus No.	Description	Material	Part no.
2	Volute Casing - Table E	Cast Iron	SGF002
2	Volute Casing - Table E	Zinc Free Bronze	SGF052
2	Volute Casing - Table E	316SS	SGF062
3	Impeller	Cast Iron	SGF003
3	Impeller	Zinc Free Bronze	SGF053
3	Impeller	316SS	SGF063
4	Backplate - Mech Seal	Cast Iron	SGF004
4	Backplate - Mech Seal	Zinc Free Bronze	SGF054
4	Backplate - Mech Seal	316SS	SGF064
7	Impeller Lock Washer	316SS	SGF007B
15	Extension Shaft Kit	316SS	SGF215-ZS
21	Mechanical Seal	53mm Carbon / Ceramic / Nitrile	XMS053K
21	Mechanical Seal	53mm Silicon Carbide / Silicon Carbide / Viton	XMS153
46	Impeller Nut	316SS	SGF046B
A	Impeller Key	Key Steel	432900210
A	Impeller Key	316SS	SGF323
B	Volute Casing Plug	Mild Steel - Zinc Plated	489069004
C	Discharge Drain Plug	Mild Steel - Zinc Plated	489069004
D	Casing O-ring	Nitrile Rubber	383002279
D	Casing O-ring	Viton	383007279

Optional Wear Rings

A	Wear Ring - Backplate	ZF Bronze	SGF027
A	Wear Ring - Backplate	316SS	SGF327
B	Wear Ring - Impeller Rear	ZF Bronze	SGF026
B	Wear Ring - Impeller Rear	316SS	SGF326
C	Wear Ring - Impeller Front	ZF Bronze	SGF026
C	Wear Ring - Impeller Front	316SS	SGF326
D	Wear Ring - Volute Casing	ZF Bronze	SGF027
D	Wear Ring - Volute Casing	316SS	SGF327

Overhaul Kits

Mechanical Seal & O-Ring Kit (Starline)	ISO3900
Mechanical Seal & O-Ring Kit (Starpro)	PRO3900

Motor (415V, 3 ph B35)

		2 Pole (kW)			
		55	75	90	110
-	Motor	XZM018	XZM019	XZM020	XZM021
13	Bell Housing	SGF271	SGF271	SGF271	SGF281
-	Safety Guard - Left	SGF207L	SGF207L	SGF207L	SGF207L
-	Safety Guard - Right	SGF207R	SGF207R	SGF207R	SGF207R
14	Motor Clamp Kit	SED260-ZS	SED265-ZS	SED265-ZS	SED265-ZS
-	Bolt Kit	PYC131-S	PYC131-S	PYC131-S	PYC131-S
-	NOL Impeller Size (mm)	221	244	259	278
		4 Pole (kW)			
		7.5	11	15	
-	Motor	XZM049	XZM051	XZM052	
13	Bell Housing	SGF221	SGF231	SGF231	
-	Safety Guard - Left	SGF203L	SGF204L	SGF204L	
-	Safety Guard - Right	SGF203R	SGF204R	SGF204R	
14	Motor Clamp Kit	SEA238-ZS	SEA240-ZS	SEA240-ZS	
-	Bolt Kit	PYC132-S	PYC133-S	PYC133-S	
-	NOL Impeller Size (mm)	229	254	278	

Note: NOL Impeller sizes to suit TECO Monarch GX motor. Impeller size may vary if other motors are used.

**CENTRIFUGAL PUMPS****ISO STAR-LINE**

Code:

MGG

Model:

150x125-250**No.3 SHAFT MODULE**

Illus No.	Description	Material	Part no.
2	Volute Casing - Table E	Cast Iron	SGG002
2	Volute Casing - Table E	Zinc Free Bronze	SGG052
2	Volute Casing - Table E	316SS	SGG062
3	Impeller	Cast Iron	SGG003
3	Impeller	Zinc Free Bronze	SGG053
3	Impeller	316SS	SGG063
4	Backplate - Mech Seal	Cast Iron	SGF004
4	Backplate - Mech Seal	Zinc Free Bronze	SGF054
4	Backplate - Mech Seal	316SS	SGF064
7	Impeller Lock Washer	316SS	SGF007B
15	Extension Shaft Kit	316SS	SGF215-ZS
21	Mechanical Seal	53mm Carbon / Ceramic / Nitrile	XMS053K
21	Mechanical Seal	53mm Silicon Carbide / Silicon Carbide / Viton	XMS153
46	Impeller Nut	316SS	SGF046B
A	Impeller Key	Key Steel	432900210
A	Impeller Key	316SS	SGF323
B	Volute Casing Plug	Mild Steel - Zinc Plated	489069006
C	Discharge Drain Plug	Mild Steel - Zinc Plated	489069004
D	Casing O-ring	Nitrile Rubber	383002279
D	Casing O-ring	Viton	383007279

Optional Wear Rings

A	Wear Ring - Backplate	ZF Bronze	SGF027
A	Wear Ring - Backplate	316SS	SGF327
B	Wear Ring - Impeller Rear	ZF Bronze	SGF026
B	Wear Ring - Impeller Rear	316SS	SGF326
C	Wear Ring - Impeller Front	ZF Bronze	SGF026
C	Wear Ring - Impeller Front	316SS	SGF326
D	Wear Ring - Volute Casing	ZF Bronze	SGF027
D	Wear Ring - Volute Casing	316SS	SGF327

Overhaul Kits

Mechanical Seal & O-Ring Kit (Starline)	ISO3900
Mechanical Seal & O-Ring Kit (Starpro)	PRO3900

Motor (415V, 3 ph B35)

	4 Pole (kW)				
	11	15	18.5	22	
-	Motor	XZM051	XZM052	XZM053	XZM054
13	Bell Housing	SGF231	SGF231	SGF231	SGF231
-	Safety Guard - Left	SGF204L	SGF204L	SGF204L	SGF204L
-	Safety Guard - Right	SGF204R	SGF204R	SGF204R	SGF204R
14	Motor Clamp Kit	SEA240-ZS	SEA240-ZS	SEA248-ZS	SEA248-ZS
-	Bolt Kit	PYC133-S	PYC133-S	PYC133-S	PYC133-S
-	NOL Impeller Size (mm)	236	258	271	278

Note: NOL Impeller sizes to suit TECO Monarch GX motor. Impeller size may vary if other motors are used.

**CENTRIFUGAL PUMPS****ISO STAR-LINE**

Code:

MHD

Model:

100x65-315**No.3 SHAFT MODULE**

Illus No.	Description	Material	Part no.
2	Volute Casing - Table E	Cast Iron	SHD002
2	Volute Casing - Table E	Zinc Free Bronze	SHD052
2	Volute Casing - Table E	316SS	SHD062
3	Impeller	Cast Iron	SHD003
3	Impeller	Zinc Free Bronze	SHD053
3	Impeller	316SS	SHD063
4	Backplate - Mech Seal	Cast Iron	SHD004
4	Backplate - Mech Seal	Zinc Free Bronze	SHD054
4	Backplate - Mech Seal	316SS	SHD064
7	Impeller Lock Washer	316SS	SGF007B
15	Extension Shaft Kit	316SS	SGF215-ZS
21	Mechanical Seal	53mm Carbon / Ceramic / Nitrile	XMS053K
21	Mechanical Seal	53mm Silicon Carbide / Silicon Carbide / Viton	XMS153
46	Impeller Nut	316SS	SGF046B
A	Impeller Key	Key Steel	432900210
A	Impeller Key	316SS	SGF323
B	Volute Casing Plug	Mild Steel - Zinc Plated	489069004
C	Discharge Drain Plug	Mild Steel - Zinc Plated	489069002
D	Casing O-ring	Nitrile Rubber	383002279
D	Casing O-ring	Viton	383007279

Optional Wear Rings

A	Wear Ring - Backplate	ZF Bronze	SFF027
A	Wear Ring - Backplate	316SS	SFF327
B	Wear Ring - Impeller Rear	ZF Bronze	SFF026
B	Wear Ring - Impeller Rear	316SS	SFF326
C	Wear Ring - Impeller Front	ZF Bronze	SFF026
C	Wear Ring - Impeller Front	316SS	SFF326
D	Wear Ring - Volute Casing	ZF Bronze	SFF027
D	Wear Ring - Volute Casing	316SS	SFF327

Overhaul Kits

Mechanical Seal & O-Ring Kit (Starline)	ISO3900
Mechanical Seal & O-Ring Kit (Starpro)	PRO3900

Motor (415V, 3 ph B35)

	2 Pole (kW)				
	55	75	90	110	
-	Motor	XZM018	XZM019	XZM020	XZM021
13	Bell Housing	SGF271	SGF271	SGF271	SGF281
-	Safety Guard - Left	SGF207L	SGF207L	SGF207L	SGF207L
-	Safety Guard - Right	SGF207R	SGF207R	SGF207R	SGF207R
14	Motor Clamp Kit	SED260-ZS	SED265-ZS	SED265-ZS	SED265-ZS
-	Bolt Kit	PYC131-S	PYC131-S	PYC131-S	PYC131-S
-	NOL Impeller Size (mm)	276	305	324	342
	4 Pole (kW)				
	7.5	11	15		
-	Motor	XZM049	XZM051	XZM052	
13	Bell Housing	SGF221	SGF231	SGF231	
-	Safety Guard - Left	SGF203L	SGF204L	SGF204L	
-	Safety Guard - Right	SGF203R	SGF204R	SGF204R	
14	Motor Clamp Kit	SEA238-ZS	SEA240-ZS	SEA240-ZS	
-	Bolt Kit	PYC132-S	PYC133-S	PYC133-S	
-	NOL Impeller Size (mm)	282	319	342	

Note: NOL Impeller sizes to suit TECO Monarch GX motor. Impeller size may vary if other motors are used.

**CENTRIFUGAL PUMPS****ISO STAR-LINE**

Code:	MHE
Model:	125x80-315

No.3 SHAFT MODULE

Illus No.	Description	Material	Part no.
2	Volute Casing - Table E	Cast Iron	SHE002
2	Volute Casing - Table E	Zinc Free Bronze	SHE052
2	Volute Casing - Table E	316SS	SHE062
3	Impeller	Cast Iron	SHE003
3	Impeller	Zinc Free Bronze	SHE053
3	Impeller	316SS	SHE063
4	Backplate - Mech Seal	Cast Iron	SHD004
4	Backplate - Mech Seal	Zinc Free Bronze	SHD054
4	Backplate - Mech Seal	316SS	SHD064
7	Impeller Lock Washer	316SS	SGF007B
15	Extension Shaft Kit	316SS	SGF215-ZS
21	Mechanical Seal	53mm Carbon / Ceramic / Nitrile	XMS053K
21	Mechanical Seal	53mm Silicon Carbide / Silicon Carbide / Viton	XMS153
46	Impeller Nut	316SS	SGF046B
A	Impeller Key	Key Steel	432900210
A	Impeller Key	316SS	SGF323
B	Volute Casing Plug	Mild Steel - Zinc Plated	489069004
C	Discharge Drain Plug	Mild Steel - Zinc Plated	489069004
D	Casing O-ring	Nitrile Rubber	383002279
D	Casing O-ring	Viton	383007279

Optional Wear Rings

A	Wear Ring - Backplate	ZF Bronze	SFF027
A	Wear Ring - Backplate	316SS	SFF327
B	Wear Ring - Impeller Rear	ZF Bronze	SFF026
B	Wear Ring - Impeller Rear	316SS	SFF326
C	Wear Ring - Impeller Front	ZF Bronze	SFF026
C	Wear Ring - Impeller Front	316SS	SFF326
D	Wear Ring - Volute Casing	ZF Bronze	SFF027
D	Wear Ring - Volute Casing	316SS	SFF327

Overhaul Kits

Mechanical Seal & O-Ring Kit (Starline)	ISO3900
Mechanical Seal & O-Ring Kit (Starpro)	PRO3900

Motor (415V, 3 ph B35)

		2 Pole (kW)			
		75	90	110	132
-	Motor	XZM019	XZM020	XZM021	XZM022
13	Bell Housing	SGF271	SGF271	SGF281	SGF281
-	Safety Guard - Left	SGF207L	SGF207L	SGF207L	SGF207L
-	Safety Guard - Right	SGF207R	SGF207R	SGF207R	SGF207R
14	Motor Clamp Kit	SED265-ZS	SED265-ZS	SED265-ZS	SED265-ZS
-	Bolt Kit	PYC131-S	PYC131-S	PYC131-S	PYC131-S
-	NOL Impeller Size (mm)	282	299	320	342
		4 Pole (kW)			
		11	15	18.5	
-	Motor	XZM051	XZM052	XZM053	
13	Bell Housing	SGF231	SGF231	SGF231	
-	Safety Guard - Left	SGF204L	SGF204L	SGF204L	
-	Safety Guard - Right	SGF204R	SGF204R	SGF204R	
14	Motor Clamp Kit	SEA240-ZS	SEA240-ZS	SEA248-ZS	
-	Bolt Kit	PYC133-S	PYC133-S	PYC133-S	
-	NOL Impeller Size (mm)	297	327	342	

Note: NOL Impeller sizes to suit TECO Monarch GX motor. Impeller size may vary if other motors are used.

**CENTRIFUGAL PUMPS****ISO STAR-LINE**

Code:

MHF

Model:

125x100-315**No.3 SHAFT MODULE**

Illus No.	Description	Material	Part no.
2	Volute Casing - Table E	Cast Iron	SHF002
2	Volute Casing - Table E	Zinc Free Bronze	SHF052
2	Volute Casing - Table E	316SS	SHF062
3	Impeller	Cast Iron	SHF003
3	Impeller	Zinc Free Bronze	SHF053
3	Impeller	316SS	SHF063
4	Backplate - Mech Seal	Cast Iron	SHD004
4	Backplate - Mech Seal	Zinc Free Bronze	SHD054
4	Backplate - Mech Seal	316SS	SHD064
7	Impeller Lock Washer	316SS	SGF007B
15	Extension Shaft Kit	316SS	SGF215-ZS
21	Mechanical Seal	53mm Carbon / Ceramic / Nitrile	XMS053K
21	Mechanical Seal	53mm Silicon Carbide / Silicon Carbide / Viton	XMS153
46	Impeller Nut	316SS	SGF046B
A	Impeller Key	Key Steel	432900210
A	Impeller Key	316SS	SGF323
B	Volute Casing Plug	Mild Steel - Zinc Plated	489069006
C	Discharge Drain Plug	Mild Steel - Zinc Plated	489069004
D	Casing O-ring	Nitrile Rubber	383002279
D	Casing O-ring	Viton	383002279

Optional Wear Rings

A	Wear Ring - Backplate	ZF Bronze	SFF027
A	Wear Ring - Backplate	316SS	SFF327
B	Wear Ring - Impeller Rear	ZF Bronze	SFF026
B	Wear Ring - Impeller Rear	316SS	SFF326
C	Wear Ring - Impeller Front	ZF Bronze	SFF026
C	Wear Ring - Impeller Front	316SS	SFF326
D	Wear Ring - Volute Casing	ZF Bronze	SFF027
D	Wear Ring - Volute Casing	316SS	SFF327

Overhaul Kits

Mechanical Seal & O-Ring Kit (Starline)	ISO3900
Mechanical Seal & O-Ring Kit (Starpro)	PRO3900

Motor (415V, 3 ph B35)

		2 Pole (kW)			
		90	110	132	
-	Motor	XZM020	XZM021	XZM022	
13	Bell Housing	SGF271	SGF281	SGF281	
-	Safety Guard - Left	SGF207L	SGF207L	SGF207L	
-	Safety Guard - Right	SGF207R	SGF207R	SGF207R	
14	Motor Clamp Kit	SED265-ZS	SED265-ZS	SED265-ZS	
-	Bolt Kit	PYC131-S	PYC131-S	PYC131-S	
-	NOL Impeller Size (mm)	278	295	342	
		4 Pole (kW)			
		11	15	18.5	22
-	Motor	XZM051	XZM052	XZM053	XZM054
13	Bell Housing	SGF231	SGF231	SGF231	SGF231
-	Safety Guard - Left	SGF204L	SGF204L	SGF204L	SGF204L
-	Safety Guard - Right	SGF204R	SGF204R	SGF204R	SGF204R
14	Motor Clamp Kit	SEA240-ZS	SEA240-ZS	SEA248-ZS	SEA248-ZS
-	Bolt Kit	PYC133-S	PYC133-S	PYC133-S	PYC133-S
-	NOL Impeller Size (mm)	279	307	326	342

Note: NOL Impeller sizes to suit TECO Monarch GX motor. Impeller size may vary if other motors are used.

**CENTRIFUGAL PUMPS****ISO STAR-LINE**

Code:

MHG

Model:

150x125-315**No.3 SHAFT MODULE**

Illus No.	Description	Material	Part no.
2	Volute Casing - Table E	Cast Iron	SHG002
2	Volute Casing - Table E	Zinc Free Bronze	SHG052
2	Volute Casing - Table E	316SS	SHG062
3	Impeller	Cast Iron	SHG003
3	Impeller	Zinc Free Bronze	SHG053
3	Impeller	316SS	SHG063
4	Backplate - Mech Seal	Cast Iron	SHG004
4	Backplate - Mech Seal	Zinc Free Bronze	SHG054
4	Backplate - Mech Seal	316SS	SHG064
7	Impeller Lock Washer	316SS	SGF007B
15	Extension Shaft Kit	316SS	SGF215-ZS
21	Mechanical Seal	53mm Carbon / Ceramic / Nitrile	XMS053K
21	Mechanical Seal	53mm Silicon Carbide / Silicon Carbide / Viton	XMS153
46	Impeller Nut	316SS	SGF046B
A	Impeller Key	Key Steel	432900210
A	Impeller Key	316SS	SGF323
B	Volute Casing Plug	Mild Steel - Zinc Plated	489069006
C	Discharge Drain Plug	Mild Steel - Zinc Plated	489069004
D	Casing O-ring	Nitrile Rubber	383002279
D	Casing O-ring	Viton	383007279

Optional Wear Rings

A	Wear Ring - Backplate	ZF Bronze	SGF027
A	Wear Ring - Backplate	316SS	SGF327
B	Wear Ring - Impeller Rear	ZF Bronze	SGF026
B	Wear Ring - Impeller Rear	316SS	SGF326
C	Wear Ring - Impeller Front	ZF Bronze	SGF026
C	Wear Ring - Impeller Front	316SS	SGF326
D	Wear Ring - Volute Casing	ZF Bronze	SGF027
D	Wear Ring - Volute Casing	316SS	SGF327

Overhaul Kits

Mechanical Seal & O-Ring Kit (Starline)	ISO3900
Mechanical Seal & O-Ring Kit (Starpro)	PRO3900

Motor (415V, 3 ph B35)

		4 Pole (kW)					
		15	18.5	22	30	37	45
-	Motor	XZM052	XZM053	XZM054	XZM055	XZM056	XZM057
13	Bell Housing	SGF231	SGF231	SGF231	SGF241	SGF261	SGF261
-	Safety Guard - Left	SGF204L	SGF204L	SGF204L	SGF205L	SGF206L	SGF206L
-	Safety Guard - Right	SGF204R	SGF204R	SGF204R	SGF205R	SGF206R	SGF206R
14	Motor Clamp Kit	SEA240-ZS	SEA248-ZS	SEA248-ZS	SED255-ZS	SED260-ZS	SED260-ZS
-	Bolt Kit	PYC133-S	PYC133-S	PYC133-S	PYC134-S	PYC134-S	PYC134-S
-	NOL Impeller Size (mm)	261	277	292	320	339	342

Note: NOL Impeller sizes to suit TECO Monarch GX motor. Impeller size may vary if other motors are used.

**CENTRIFUGAL PUMPS****ISO STAR-LINE**

Code:

MJE

Model:

125x80-400**No.3 SHAFT MODULE**

Illus No.	Description	Material	Part no.
2	Volute Casing - Table E	Cast Iron	SJE002
2	Volute Casing - Table E	Zinc Free Bronze	SJE052
2	Volute Casing - Table E	316SS	SJE062
3	Impeller	Cast Iron	SJE003
3	Impeller	Zinc Free Bronze	SJE053
3	Impeller	316SS	SJE063
4	Backplate - Mech Seal	Cast Iron	SJE004
4	Backplate - Mech Seal	Zinc Free Bronze	SJE054
4	Backplate - Mech Seal	316SS	SJE064
7	Impeller Lock Washer	316SS	SGF007B
15	Extension Shaft Kit	316SS	SGF215-ZS
21	Mechanical Seal	53mm Carbon / Ceramic / Nitrile	XMS053K
21	Mechanical Seal	53mm Silicon Carbide / Silicon Carbide / Viton	XMS153
46	Impeller Nut	316SS	SGF046B
A	Impeller Key	Key Steel	432900210
A	Impeller Key	316SS	SGF323
B	Volute Casing Plug	Mild Steel - Zinc Plated	489069006
C	Discharge Drain Plug	Mild Steel - Zinc Plated	489069004
D	Casing O-ring	Nitrile Rubber	383002283
D	Casing O-ring	Viton	383007283

Optional Wear Rings

A	Wear Ring - Backplate	ZF Bronze	SGF027
A	Wear Ring - Backplate	316SS	SGF327
B	Wear Ring - Impeller Rear	ZF Bronze	SGF026
B	Wear Ring - Impeller Rear	316SS	SGF326
C	Wear Ring - Impeller Front	ZF Bronze	SGF026
C	Wear Ring - Impeller Front	316SS	SGF326
D	Wear Ring - Volute Casing	ZF Bronze	SGF027
D	Wear Ring - Volute Casing	316SS	SGF327

Overhaul Kits

	Mechanical Seal & O-Ring Kit (Starline)	ISO3900
	Mechanical Seal & O-Ring Kit (Starpro)	PRO3901

Motor (415V, 3 ph B35)

	4 Pole (kW)			
	15	18.5	22	30
- Motor	XZM052	XZM053	XZM054	XZM055
13 Bell Housing	SGF231	SGF231	SGF231	SGF241
- Safety Guard - Left	SGF204L	SGF204L	SGF204L	SGF205L
- Safety Guard - Right	SGF204R	SGF204R	SGF204R	SGF205R
14 Motor Clamp Kit	SEA240-ZS	SEA248-ZS	SEA248-ZS	SED255-ZS
- Bolt Kit	PYC135-S	PYC135-S	PYC135-S	PYC135-S
- NOL Impeller Size (mm)	354	376	397	438

Note: NOL Impeller sizes to suit TECO Monarch GX motor. Impeller size may vary if other motors are used.

**CENTRIFUGAL PUMPS****ISO STAR-LINE**

Code:

MJF

Model:

125x100-400**No.3 SHAFT MODULE**

Illus No.	Description	Material	Part no.
2	Volute Casing - Table E	Cast Iron	SJF002
2	Volute Casing - Table E	Zinc Free Bronze	SJF052
2	Volute Casing - Table E	316SS	SJF062
3	Impeller	Cast Iron	SJF003
3	Impeller	Zinc Free Bronze	SJF053
3	Impeller	316SS	SJF063
4	Backplate - Mech Seal	Cast Iron	SJE004
4	Backplate - Mech Seal	Zinc Free Bronze	SJE054
4	Backplate - Mech Seal	316SS	SJE064
7	Impeller Lock Washer	316SS	SGF007B
15	Extension Shaft Kit	316SS	SGF215-ZS
21	Mechanical Seal	53mm Carbon / Ceramic / Nitrile	XMS053K
21	Mechanical Seal	53mm Silicon Carbide / Silicon Carbide / Viton	XMS153
46	Impeller Nut	316SS	SGF046B
A	Impeller Key	Key Steel	432900210
A	Impeller Key	316SS	SGF323
B	Volute Casing Plug	Mild Steel - Zinc Plated	489069006
C	Discharge Drain Plug	Mild Steel - Zinc Plated	489069004
D	Casing O-ring	Nitrile Rubber	383002283
D	Casing O-ring	Viton	383002283

Optional Wear Rings

A	Wear Ring - Backplate	ZF Bronze	SGF027
A	Wear Ring - Backplate	316SS	SGF327
B	Wear Ring - Impeller Rear	ZF Bronze	SGF026
B	Wear Ring - Impeller Rear	316SS	SGF326
C	Wear Ring - Impeller Front	ZF Bronze	SGF026
C	Wear Ring - Impeller Front	316SS	SGF326
D	Wear Ring - Volute Casing	ZF Bronze	SGF027
D	Wear Ring - Volute Casing	316SS	SGF327

Overhaul Kits

	Mechanical Seal & O-Ring Kit (Starline)	ISO3900
	Mechanical Seal & O-Ring Kit (Starpro)	PRO3901

Motor (415V, 3 ph B35)

	4 Pole (kW)				
	22	30	37	45	
-	Motor	XZM054	XZM055	XZM056	XZM057
13	Bell Housing	SGF231	SGF241	SGF261	SGF261
-	Safety Guard - Left	SGF204L	SGF205L	SGF206L	SGF206L
-	Safety Guard - Right	SGF204R	SGF205R	SGF206R	SGF206R
14	Motor Clamp Kit	SEA248-ZS	SED255-ZS	SED260-ZS	SED260-ZS
-	Bolt Kit	PYC135-S	PYC136-S	PYC136-S	PYC136-S
-	NOL Impeller Size (mm)	348	387	414	438

Note: NOL Impeller sizes to suit TECO Monarch GX motor. Impeller size may vary if other motors are used.



CENTRIFUGAL PUMPS

ISO STAR-LINE

Code:	MJG
Model:	150x125-400

No.3 SHAFT MODULE

Illus No.	Description	Material	Part no.
2	Volute Casing - Table E	Cast Iron	SJG002
2	Volute Casing - Table E	Zinc Free Bronze	SJG052
2	Volute Casing - Table E	316SS	SJG062
3	Impeller	Cast Iron	SJG003
3	Impeller	Zinc Free Bronze	SJG053
3	Impeller	316SS	SJG063
4	Backplate - Mech Seal	Cast Iron	SJE004
4	Backplate - Mech Seal	Zinc Free Bronze	SJE054
4	Backplate - Mech Seal	316SS	SJE064
7	Impeller Lock Washer	316SS	SGF007B
15	Extension Shaft Kit	316SS	SGF215-ZS
21	Mechanical Seal	53mm Carbon / Ceramic / Nitrile	XMS053K
21	Mechanical Seal	53mm Silicon Carbide / Silicon Carbide / Viton	XMS153
46	Impeller Nut	316SS	SGF046B
A	Impeller Key	Key Steel	432900210
A	Impeller Key	316SS	SGF323
B	Volute Casing Plug	Mild Steel - Zinc Plated	489069006
C	Discharge Drain Plug	Mild Steel - Zinc Plated	489069004
D	Casing O-ring	Nitrile Rubber	383002283
D	Casing O-ring	Viton	383007283

Optional Wear Rings

A	Wear Ring - Backplate	ZF Bronze	SGF027
A	Wear Ring - Backplate	316SS	SGF327
B	Wear Ring - Impeller Rear	ZF Bronze	SGF026
B	Wear Ring - Impeller Rear	316SS	SGF326
C	Wear Ring - Impeller Front	ZF Bronze	SGF026
C	Wear Ring - Impeller Front	316SS	SGF326
D	Wear Ring - Volute Casing	ZF Bronze	SGF027
D	Wear Ring - Volute Casing	316SS	SGF327

Overhaul Kits

Mechanical Seal & O-Ring Kit (Starline)	ISO3900
Mechanical Seal & O-Ring Kit (Starpro)	PRO3900

Motor (415V, 3 ph B35)

	4 Pole (kW)				
	30	37	45	55	75
- Motor	XZM055	XZM056	XZM057	XZM058	XZM059
13 Bell Housing	SGF241	SGF261	SGF261	SGF271	SGF271
- Safety Guard - Left	SGF205L	SGF206L	SGF206L	SGF207L	SGF207L
- Safety Guard - Right	SGF205R	SGF206R	SGF206R	SGF207R	SGF207R
14 Motor Clamp Kit	SED255-ZS	SED260-ZS	SED260-ZS	SED265-ZS	SED265-ZS
- Bolt Kit	PYC136-S	PYC136-S	PYC136-S	PYC136-S	PYC136-S
- NOL Impeller Size (mm)	332	356	380	406	438

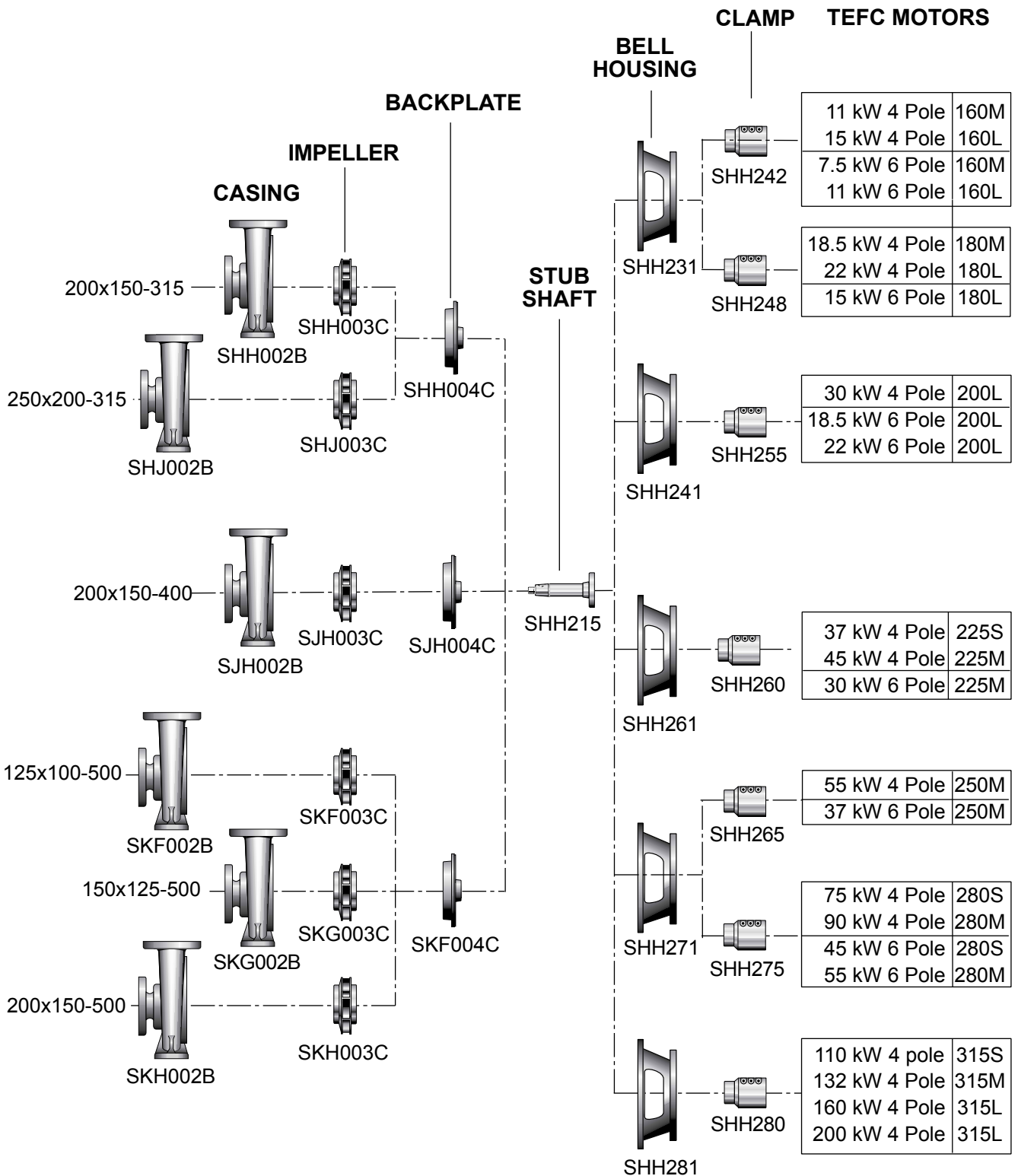
Note: NOL Impeller sizes to suit TECO Monarch GX motor. Impeller size may vary if other motors are used.



CENTRIFUGAL PUMPS

ISO STAR-LINE

No. 4 SHAFT MODULE - T.E.F.C. MOTORS





CENTRIFUGAL PUMPS

ISO STAR-LINE

Code:	MHH STD
Model:	200x150-315

No.4 SHAFT MODULE

Illus No.	Description	Material	Part no.
2	Volute Casing - Table E	Cast Iron	SHH002B
2	Volute Casing - Table E	Zinc Free Bronze	SHH052
2	Volute Casing - Table E	316SS	SHH062
3	Impeller	Cast Iron	SHH003
3	Impeller	Zinc Free Bronze	SHH053
3	Impeller	316SS	SHH063
4	Backplate - Mech Seal	Cast Iron	SHH004B
4	Backplate - Mech Seal	Zinc Free Bronze	SHH054
4	Backplate - Mech Seal	316SS	SHH064
7	I Washer	316SS	SHH007B
15	Extension Shaft Kit	316SS	SHH215-ZS
21	Mechanical Seal	60mm Carbon / Ceramic / Nitrile	XMS060K
21	Mechanical Seal	60mm Silicon Carbide / Silicon Carbide / Viton	XMS160
46	Impeller Nut	316SS	SHH046B
A	Impeller Key	Key Steel	432900252
A	Impeller Key	316SS	SHH323
B	Volute Casing Plug	Mild Steel - Zinc Plated	489069008
C	Discharge Drain Plug	Mild Steel - Zinc Plated	489069006
D	Casing O-ring	Nitrile Rubber	383002455
D	Casing O-ring	Viton	383007455

Optional Wear Rings

A	Wear Ring - Backplate	ZF Bronze	N/A
A	Wear Ring - Backplate	316SS	N/A
B	Wear Ring - Impeller Rear	ZF Bronze	N/A
B	Wear Ring - Impeller Rear	316SS	N/A
C	Wear Ring - Impeller Front	ZF Bronze	N/A
C	Wear Ring - Impeller Front	316SS	N/A
D	Wear Ring - Volute Casing	ZF Bronze	SHH027
D	Wear Ring - Volute Casing	316SS	SHH327

Overhaul Kits

	Mechanical Seal & O-Ring Kit (Starline)	ISO4900
	Mechanical Seal & O-Ring Kit (Starpro)	PRO4900

Motor (415V, 3 ph B35) * Check TAPS if Angular Contact bearings required

		4 Pole (kW)			
		22	30	37	45
-	Motor	XZM054*	XZM055*	XZM056*	XZM057*
13	Bell Housing	SHH231	SHH241	SHH261	SHH261
-	Safety Guard - Left	SHH203	SHH203	SHH203	SHH203
-	Safety Guard - Right	SHH203	SHH203	SHH203	SHH203
14	Motor Clamp Kit	SHH248-ZS	SHH255-ZS	SHH260-ZS	SHH260-ZS
-	Bolt Kit	PYC140-S	PYC140-S	PYC141-S	PYC141-S
-	NOL Impeller Size (mm)	275	300	316	342
		6 Pole (kW)			
		7.5	11	15	
-	Motor	XZM350*	XZM351*	XZM352*	
13	Bell Housing	SHH231	SHH231	SHH231	
-	Safety Guard - Left	SHH203	SHH203	SHH203	
-	Safety Guard - Right	SHH203	SHH203	SHH203	
14	Motor Clamp Kit	SHH242-ZS	SHH242-ZS	SHH248-ZS	
-	Bolt Kit	PYC140-S	PYC140-S	PYC140-S	
-	NOL Impeller Size (mm)	288	318	342	

Note: NOL Impeller sizes to suit TECO Monarch GX motor. Impeller size may vary if other motors are used.

**CENTRIFUGAL PUMPS****ISO STAR-LINE**

Code:

MHH RNR

Model:

200x150-315**No.4 SHAFT MODULE**

Illus No.	Description	Material	Part no.
2	Volute Casing - Table E	Cast Iron	SHH002B
2	Volute Casing - Table E	Zinc Free Bronze	SHH052
2	Volute Casing - Table E	316SS	SHH062
3	Impeller	Cast Iron	SHH003C
3	Impeller	Zinc Free Bronze	SHH053C
3	Impeller	316SS	SHH063C
4	Backplate - Mech Seal	Cast Iron	SHH004C
4	Backplate - Mech Seal	Zinc Free Bronze	SHH054C
4	Backplate - Mech Seal	316SS	SHH064C
7	Impeller Lock Washer	316SS	SHH007B
15	Extension Shaft Kit	316SS	SHH215-ZS
21	Mechanical Seal	60mm Carbon / Ceramic / Nitrile	XMS060K
21	Mechanical Seal	60mm Silicon Carbide / Silicon Carbide / Viton	XMS160
46	Impeller Nut	316SS	SHH046B
A	Impeller Key	Key Steel	432900252
A	Impeller Key	316SS	SHH323
B	Volute Casing Plug	Mild Steel - Zinc Plated	489069008
C	Discharge Drain Plug	Mild Steel - Zinc Plated	489069006
D	Casing O-ring	Nitrile Rubber	383002455
D	Casing O-ring	Viton	383007455

Optional Wear Rings

A	Wear Ring - Backplate	ZF Bronze	SHJ027
A	Wear Ring - Backplate	316SS	SHJ327
B	Wear Ring - Impeller Rear	ZF Bronze	SHJ026
B	Wear Ring - Impeller Rear	316SS	SHJ326
C	Wear Ring - Impeller Front	ZF Bronze	SHH026
C	Wear Ring - Impeller Front	316SS	SHH326
D	Wear Ring - Volute Casing	ZF Bronze	SHH027
D	Wear Ring - Volute Casing	316SS	SHH327

Overhaul Kits

	Mechanical Seal & O-Ring Kit (Starline)	ISO4900
	Mechanical Seal & O-Ring Kit (Starpro)	PRO4900

Motor (415V, 3 ph B35) * Check TAPS if Angular Contact bearings required

		4 Pole (kW)			
		22	30	37	45
-	Motor	XZM054*	XZM055*	XZM056*	XZM057*
13	Bell Housing	SHH231	SHH241	SHH261	SHH261
-	Safety Guard - Left	SHH203	SHH203	SHH203	SHH203
-	Safety Guard - Right	SHH203	SHH203	SHH203	SHH203
14	Motor Clamp Kit	SHH248-ZS	SHH255-ZS	SHH260-ZS	SHH260-ZS
-	Bolt Kit	PYC140-S	PYC140-S	PYC141-S	PYC141-S
-	NOL Impeller Size (mm)	283	307	323	342
		6 Pole (kW)			
		7.5	11	15	
-	Motor	XZM350*	XZM351*	XZM352*	
13	Bell Housing	SHH231	SHH231	SHH231	
-	Safety Guard - Left	SHH203	SHH203	SHH203	
-	Safety Guard - Right	SHH203	SHH203	SHH203	
14	Motor Clamp Kit	SHH242-ZS	SHH242-ZS	SHH248-ZS	
-	Bolt Kit	PYC140-S	PYC140-S	PYC140-S	
-	NOL Impeller Size (mm)	298	327	342	

Note: NOL Impeller sizes to suit TECO Monarch GX motor. Impeller size may vary if other motors are used.

**CENTRIFUGAL PUMPS****ISO STAR-LINE**

Code:

MHJ STD

Model:

250x200-315**No.4 SHAFT MODULE**

Illus No.	Description	Material	Part no.
2	Volute Casing - Table E	Cast Iron	SHJ002B
2	Volute Casing - Table E	Zinc Free Bronze	SHJ052
2	Volute Casing - Table E	316SS	SHJ062
3	Impeller	Cast Iron	SHJ003
3	Impeller	Zinc Free Bronze	SHJ053
3	Impeller	316SS	SHJ063
4	Backplate - Mech Seal	Cast Iron	SHH004B
4	Backplate - Mech Seal	Zinc Free Bronze	SHH054
4	Backplate - Mech Seal	316SS	SHH064
7	Impeller Lock Washer	316SS	SHH007B
15	Extension Shaft Kit	316SS	SHH215-ZS
21	Mechanical Seal	60mm Carbon / Ceramic / Nitrile	XMS060K
21	Mechanical Seal	60mm Silicon Carbide / Silicon Carbide / Viton	XMS160
46	Impeller Nut	316SS	SHH046B
A	Impeller Key	Key Steel	432900252
A	Impeller Key	316SS	SHH323
B	Volute Casing Plug	Mild Steel - Zinc Plated	489069008
C	Discharge Drain Plug	Mild Steel - Zinc Plated	489069006
D	Casing O-ring	Nitrile Rubber	383002455
D	Casing O-ring	Viton	383007455

Optional Wear Rings

A	Wear Ring - Backplate	ZF Bronze	N/A
A	Wear Ring - Backplate	316SS	N/A
B	Wear Ring - Impeller Rear	ZF Bronze	N/A
B	Wear Ring - Impeller Rear	316SS	N/A
C	Wear Ring - Impeller Front	ZF Bronze	N/A
C	Wear Ring - Impeller Front	316SS	N/A
D	Wear Ring - Volute Casing	ZF Bronze	SHJ027
D	Wear Ring - Volute Casing	316SS	SHJ327

Overhaul Kits

Mechanical Seal & O-Ring Kit (Starline)	ISO4900
Mechanical Seal & O-Ring Kit (Starpro)	PRO4900

Motor (415V, 3 ph B35) * Check TAPS if Angular Contact bearings required

		4 Pole (kW)			
		37	45	55	75
-	Motor	XZM056*	XZM057*	XZM058*	XZM059*
13	Bell Housing	SHH261	SHH261	SHH271	SHH271
-	Safety Guard - Left	SHH203	SHH203	SHH203	SHH203
-	Safety Guard - Right	SHH203	SHH203	SHH203	SHH203
14	Motor Clamp Kit	SHH260-ZS	SHH260-ZS	SHH265-ZS	SHH275-ZS
-	Bolt Kit	PYC141-S	PYC141-S	PYC141-S	PYC141-S
-	NOL Impeller Size (mm)	285	303	319	342
		6 Pole (kW)			
		11	15	18.5	22
-	Motor	XZM351*	XZM352*	XZM353*	XZM354*
13	Bell Housing	SHH231	SHH231	SHH241	SHH241
-	Safety Guard - Left	SHH203	SHH203	SHH203	SHH203
-	Safety Guard - Right	SHH203	SHH203	SHH203	SHH203
14	Motor Clamp Kit	SHH242-ZS	SHH248-ZS	SHH255-ZS	SHH255-ZS
-	Bolt Kit	PYC140-S	PYC140-S	PYC140-S	PYC140-S
-	NOL Impeller Size (mm)	290	313	328	342

Note: NOL Impeller sizes to suit TECO Monarch GX motor. Impeller size may vary if other motors are used.



CENTRIFUGAL PUMPS

ISO STAR-LINE

Code:	MHJ RNR
Model:	250x200-315

No.4 SHAFT MODULE

Illus No.	Description	Material	Part no.
2	Volute Casing - Table E	Cast Iron	SHJ002B
2	Volute Casing - Table E	Zinc Free Bronze	SHJ052
2	Volute Casing - Table E	316SS	SHJ062
3	Impeller	Cast Iron	SHJ003C
3	Impeller	Zinc Free Bronze	SHJ053C
3	Impeller	316SS	SHJ063C
4	Backplate - Mech Seal	Cast Iron	SHH004C
4	Backplate - Mech Seal	Zinc Free Bronze	SHH054C
4	Backplate - Mech Seal	316SS	SHH064C
7	Impeller Lock Washer	316SS	SHH007B
15	Extension Shaft Kit	316SS	SHH215-ZS
21	Mechanical Seal	60mm Carbon / Ceramic / Nitrile	XMS060K
21	Mechanical Seal	60mm Silicon Carbide / Silicon Carbide / Viton	XMS160
46	Impeller Nut	316SS	SHH046B
A	Impeller Key	Key Steel	432900252
A	Impeller Key	316SS	SHH323
B	Volute Casing Plug	Mild Steel - Zinc Plated	489069008
C	Discharge Drain Plug	Mild Steel - Zinc Plated	489069006
D	Casing O-ring	Nitrile Rubber	383002455
D	Casing O-ring	Viton	383007455

Optional Wear Rings

A	Wear Ring - Backplate	ZF Bronze	SHJ027
A	Wear Ring - Backplate	316SS	SHJ327
B	Wear Ring - Impeller Rear	ZF Bronze	SHJ026
B	Wear Ring - Impeller Rear	316SS	SHJ326
C	Wear Ring - Impeller Front	ZF Bronze	SHJ026
C	Wear Ring - Impeller Front	316SS	SHJ326
D	Wear Ring - Volute Casing	ZF Bronze	SHJ027
D	Wear Ring - Volute Casing	316SS	SHJ327

Overhaul Kits

Mechanical Seal & O-Ring Kit (Starline)	ISO4900
Mechanical Seal & O-Ring Kit (Starpro)	PRO4900

Motor (415V, 3 ph B35) * Check TAPS if Angular Contact bearings required

	4 Pole (kW)			
	37	45	55	75
- Motor	XZM056*	XZM057*	XZM058*	XZM059*
13 Bell Housing	SHH261	SHH261	SHH271	SHH271
- Safety Guard - Left	SHH203	SHH203	SHH203	SHH203
- Safety Guard - Right	SHH203	SHH203	SHH203	SHH203
14 Motor Clamp Kit	SHH260-ZS	SHH260-ZS	SHH265-ZS	SHH275-ZS
- Bolt Kit	PYC141-S	PYC141-S	PYC141-S	PYC141-S
- NOL Impeller Size (mm)	288	305	321	342

	6 Pole (kW)			
	11	15	18.5	22
- Motor	XZM351*	XZM352*	XZM353*	XZM354*
13 Bell Housing	SHH231	SHH231	SHH241	SHH241
- Safety Guard - Left	SHH203	SHH203	SHH203	SHH203
- Safety Guard - Right	SHH203	SHH203	SHH203	SHH203
14 Motor Clamp Kit	SHH242-ZS	SHH248-ZS	SHH255-ZS	SHH255-ZS
- Bolt Kit	PYC140-S	PYC140-S	PYC140-S	PYC140-S
- NOL Impeller Size (mm)	294	317	332	342

Note: NOL Impeller sizes to suit TECO Monarch GX motor. Impeller size may vary if other motors are used.

**CENTRIFUGAL PUMPS****ISO STAR-LINE**

Code:

MJH STD

Model:

200x150-400**No.4 SHAFT MODULE**

Illus No.	Description	Material	Part no.
2	Volute Casing - Table E	Cast Iron	SJH002B
2	Volute Casing - Table E	Zinc Free Bronze	SJH052
2	Volute Casing - Table E	316SS	SJH062
3	Impeller	Cast Iron	SJH003
3	Impeller	Zinc Free Bronze	SJH053
3	Impeller	316SS	SJH063
4	Backplate - Mech Seal	Cast Iron	SJH004B
4	Backplate - Mech Seal	Zinc Free Bronze	SJH054
4	Backplate - Mech Seal	316SS	SJH064
7	Impeller Lock Washer	316SS	SHH007B
15	Extension Shaft Kit	316SS	SHH215-ZS
21	Mechanical Seal	60mm Carbon / Ceramic / Nitrile	XMS060K
21	Mechanical Seal	60mm Silicon Carbide / Silicon Carbide / Viton	XMS160
46	Impeller Nut	316SS	SHH046B
A	Impeller Key	Key Steel	432900252
A	Impeller Key	316SS	SHH323
B	Volute Casing Plug	Mild Steel - Zinc Plated	489069008
C	Discharge Drain Plug	Mild Steel - Zinc Plated	489069006
D	Casing O-ring	Nitrile Rubber	383002463
D	Casing O-ring	Viton	383007463

Optional Wear Rings

A	Wear Ring - Backplate	ZF Bronze	N/A
A	Wear Ring - Backplate	316SS	N/A
B	Wear Ring - Impeller Rear	ZF Bronze	N/A
B	Wear Ring - Impeller Rear	316SS	N/A
C	Wear Ring - Impeller Front	ZF Bronze	N/A
C	Wear Ring - Impeller Front	316SS	N/A
D	Wear Ring - Volute Casing	ZF Bronze	SHH027
D	Wear Ring - Volute Casing	316SS	SHH327

Overhaul Kits

Mechanical Seal & O-Ring Kit (Starline)	ISO4900
Mechanical Seal & O-Ring Kit (Starpro)	PRO4902

Motor (415V, 3 ph B35) * Check TAPS if Angular Contact bearings required

	4 Pole (kW)				
	45	55	75	90	110
- Motor	XZM057*	XZM058*	XZM059*	XZM060*	XZM061*
13 Bell Housing	SHH261	SHH271	SHH271	SHH271	SHH281
- Safety Guard - Left	SHH203	SHH203	SHH203	SHH203	SHH203
- Safety Guard - Right	SHH203	SHH203	SHH203	SHH203	SHH203
14 Motor Clamp Kit	SHH260-ZS	SHH265-ZS	SHH275-ZS	SHH275-ZS	SHH280-ZS
- Bolt Kit	PYC141-S	PYC141-S	PYC141-S	PYC141-S	PYC142-S
- NOL Impeller Size (mm)	349	368	398	418	438
	6 Pole (kW)				
	15	18.5	22	30	
- Motor	XZM352*	XZM353*	XZM354*	XZM355*	
13 Bell Housing	SHH231	SHH241	SHH241	SHH261	
- Safety Guard - Left	SHH203	SHH203	SHH203	SHH203	
- Safety Guard - Right	SHH203	SHH203	SHH203	SHH203	
14 Motor Clamp Kit	SHH248-ZS	SHH255-ZS	SHH255-ZS	SHH260-ZS	
- Bolt Kit	PYC140-S	PYC140-S	PYC140-S	PYC141-S	
- NOL Impeller Size (mm)	358	376	395	438	

Note: NOL Impeller sizes to suit TECO Monarch GX motor. Impeller size may vary if other motors are used.

**CENTRIFUGAL PUMPS****ISO STAR-LINE**

Code:

MJH RNR

Model:

200x150-400**No.4 SHAFT MODULE**

Illus No.	Description	Material	Part no.
2	Volute Casing - Table E	Cast Iron	SJH002B
2	Volute Casing - Table E	Zinc Free Bronze	SJH052
2	Volute Casing - Table E	316SS	SJH062
3	Impeller	Cast Iron	SJH003C
3	Impeller	Zinc Free Bronze	SJH053C
3	Impeller	316SS	SJH063C
4	Backplate - Mech Seal	Cast Iron	SJH004C
4	Backplate - Mech Seal	Zinc Free Bronze	SJH054C
4	Backplate - Mech Seal	316SS	SJH064C
7	Impeller Lock Washer	316SS	SHH007B
15	Extension Shaft Kit	316SS	SHH215-ZS
21	Mechanical Seal	60mm Carbon / Ceramic / Nitrile	XMS060K
21	Mechanical Seal	60mm Silicon Carbide / Silicon Carbide / Viton	XMS160
46	Impeller Nut	316SS	SHH046B
A	Impeller Key	Key Steel	432900252
A	Impeller Key	316SS	SHH323
B	Volute Casing Plug	Mild Steel - Zinc Plated	489069008
C	Discharge Drain Plug	Mild Steel - Zinc Plated	489069006
D	Casing O-ring	Nitrile Rubber	383002463
D	Casing O-ring	Viton	383007263

Optional Wear Rings

A	Wear Ring - Backplate	ZF Bronze	SHH027
A	Wear Ring - Backplate	316SS	SHH327
B	Wear Ring - Impeller Rear	ZF Bronze	SHH026
B	Wear Ring - Impeller Rear	316SS	SHH326
C	Wear Ring - Impeller Front	ZF Bronze	SHH026
C	Wear Ring - Impeller Front	316SS	SHH326
D	Wear Ring - Volute Casing	ZF Bronze	SHH027
D	Wear Ring - Volute Casing	316SS	SHH327

Overhaul Kits

Mechanical Seal & O-Ring Kit (Starline)	ISO4900
Mechanical Seal & O-Ring Kit (Starpro)	PRO4902

Motor (415V, 3 ph B35) * Check TAPS if Angular Contact bearings required

	4 Pole (kW)				
	45	55	75	90	110
- Motor	XZM057*	XZM058*	XZM059*	XZM060*	XZM061*
13 Bell Housing	SHH261	SHH271	SHH271	SHH271	SHH281
- Safety Guard - Left	SHH203	SHH203	SHH203	SHH203	SHH203
- Safety Guard - Right	SHH203	SHH203	SHH203	SHH203	SHH203
14 Motor Clamp Kit	SHH260-ZS	SHH265-ZS	SHH275-ZS	SHH275-ZS	SHH280-ZS
- Bolt Kit	PYC141-S	PYC141-S	PYC141-S	PYC141-S	PYC142-S
- NOL Impeller Size (mm)	359	378	408	428	438
	6 Pole (kW)				
	15	18.5	22	30	
- Motor	XZM352*	XZM353*	XZM354*	XZM355*	
13 Bell Housing	SHH231	SHH241	SHH241	SHH261	
- Safety Guard - Left	SHH203	SHH203	SHH203	SHH203	
- Safety Guard - Right	SHH203	SHH203	SHH203	SHH203	
14 Motor Clamp Kit	SHH248-ZS	SHH255-ZS	SHH255-ZS	SHH260-ZS	
- Bolt Kit	PYC140-S	PYC140-S	PYC140-S	PYC141-S	
- NOL Impeller Size (mm)	373	392	410	438	

Note: NOL Impeller sizes to suit TECO Monarch GX motor. Impeller size may vary if other motors are used.

**CENTRIFUGAL PUMPS****ISO STAR-LINE**

Code:

MKF STD

Model:

125x100-500**No.4 SHAFT MODULE**

Illus No.	Description	Material	Part no.
2	Volute Casing - Table E	Cast Iron	SKF002B
2	Volute Casing - Table E	Zinc Free Bronze	SKF052
2	Volute Casing - Table E	316SS	SKF062
3	Impeller	Cast Iron	SKF003
3	Impeller	Zinc Free Bronze	SKF053
3	Impeller	316SS	SKF063
4	Backplate - Mech Seal	Cast Iron	SKF004B
4	Backplate - Mech Seal	Zinc Free Bronze	SKF054
4	Backplate - Mech Seal	316SS	SKF064
7	Impeller Lock Washer	316SS	SHH007B
15	Extension Shaft Kit	316SS	SHH215-ZS
21	Mechanical Seal	60mm Carbon / Ceramic / Nitrile	XMS060K
21	Mechanical Seal	60mm Silicon Carbide / Silicon Carbide / Viton	XMS160
46	Impeller Nut	316SS	SHH046B
A	Impeller Key	Key Steel	432900252
A	Impeller Key	316SS	SHH323
B	Volute Casing Plug	Mild Steel - Zinc Plated	489069008
C	Discharge Drain Plug	Mild Steel - Zinc Plated	489069006
D	Casing O-ring	Nitrile Rubber	383002470
D	Casing O-ring	Viton	383007470

Optional Wear Rings

A	Wear Ring - Backplate	ZF Bronze	N/A
A	Wear Ring - Backplate	316SS	N/A
B	Wear Ring - Impeller Rear	ZF Bronze	N/A
B	Wear Ring - Impeller Rear	316SS	N/A
C	Wear Ring - Impeller Front	ZF Bronze	N/A
C	Wear Ring - Impeller Front	316SS	N/A
D	Wear Ring - Volute Casing	ZF Bronze	SKF027
D	Wear Ring - Volute Casing	316SS	SKF327

Overhaul Kits

	Mechanical Seal & O-Ring Kit (Starline)	ISO4900
	Mechanical Seal & O-Ring Kit (Starpro)	PRO4901

Motor (415V, 3 ph B35) * Check TAPS if Angular Contact bearings required

		4 Pole (kW)			
		55	75	90	110
-	Motor	XZM058*	XZM059*	XZM060*	XZM061*
13	Bell Housing	SHH271	SHH271	SHH271	SHH281
-	Safety Guard - Left	SHH203	SHH203	SHH203	SHH203
-	Safety Guard - Right	SHH203	SHH203	SHH203	SHH203
14	Motor Clamp Kit	SHH265-ZS	SHH275-ZS	SHH275-ZS	SHH280-ZS
-	Bolt Kit	PYC141-S	PYC141-S	PYC141-S	PYC142-S
-	NOL Impeller Size (mm)	425	480	520	547
		6 Pole (kW)			
		18.5	22	30	37
-	Motor	XZM353*	XZM354*	XZM355*	XZM356*
13	Bell Housing	SHH241	SHH241	SHH261	SHH271
-	Safety Guard - Left	SHH203	SHH203	SHH203	SHH203
-	Safety Guard - Right	SHH203	SHH203	SHH203	SHH203
14	Motor Clamp Kit	SHH255-ZS	SHH255-ZS	SHH260-ZS	SHH265-ZS
-	Bolt Kit	PYC140-S	PYC140-S	PYC131-S	PYC131-S
-	NOL Impeller Size (mm)	441	476	545	547

Note: NOL Impeller sizes to suit TECO Monarch GX motor. Impeller size may vary if other motors are used.

**CENTRIFUGAL PUMPS****ISO STAR-LINE**

Code:

MKF RNR

Model:

125x100-500**No.4 SHAFT MODULE**

Illus No.	Description	Material	Part no.
2	Volute Casing - Table E	Cast Iron	SKF002B
2	Volute Casing - Table E	Zinc Free Bronze	SKF052
2	Volute Casing - Table E	316SS	SKF062
3	Impeller	Cast Iron	SKF003C
3	Impeller	Zinc Free Bronze	SKF053C
3	Impeller	316SS	SKF063C
4	Backplate - Mech Seal	Cast Iron	SKF004C
4	Backplate - Mech Seal	Zinc Free Bronze	SKF054C
4	Backplate - Mech Seal	316SS	SKF064C
7	Impeller Lock Washer	316SS	SHH007B
15	Extension Shaft Kit	316SS	SHH215-ZS
21	Mechanical Seal	60mm Carbon / Ceramic / Nitrile	XMS060K
21	Mechanical Seal	60mm Silicon Carbide / Silicon Carbide / Viton	XMS160
46	Impeller Nut	316SS	SHH046B
A	Impeller Key	Key Steel	432900252
A	Impeller Key	316SS	SHH323
B	Volute Casing Plug	Mild Steel - Zinc Plated	489069008
C	Discharge Drain Plug	Mild Steel - Zinc Plated	489069006
D	Casing O-ring	Nitrile Rubber	383002470
D	Casing O-ring	Viton	383007470

Optional Wear Rings

A	Wear Ring - Backplate	ZF Bronze	SHH027
A	Wear Ring - Backplate	316SS	SHH327
B	Wear Ring - Impeller Rear	ZF Bronze	SHH026
B	Wear Ring - Impeller Rear	316SS	SHH326
C	Wear Ring - Impeller Front	ZF Bronze	SKG026
C	Wear Ring - Impeller Front	316SS	SKG326
D	Wear Ring - Volute Casing	ZF Bronze	SKG027
D	Wear Ring - Volute Casing	316SS	SKG327

Overhaul Kits

Mechanical Seal & O-Ring Kit (Starline)	ISO4900
Mechanical Seal & O-Ring Kit (Starpro)	PRO4901

Motor (415V, 3 ph B35) * Check TAPS if Angular Contact bearings required

	4 Pole (kW)				
	55	75	90	110	
-	Motor	XZM058*	XZM059*	XZM060*	XZM061*
13	Bell Housing	SHH271	SHH271	SHH271	SHH281
-	Safety Guard - Left	SHH203	SHH203	SHH203	SHH203
-	Safety Guard - Right	SHH203	SHH203	SHH203	SHH203
14	Motor Clamp Kit	SHH265-ZS	SHH275-ZS	SHH275-ZS	SHH280-ZS
-	Bolt Kit	PYC141-S	PYC141-S	PYC141-S	PYC142-S
-	NOL Impeller Size (mm)	440	494	530	547
	6 Pole (kW)				
	18.5	22	30	37	
-	Motor	XZM353*	XZM354*	XZM355*	XZM356*
13	Bell Housing	SHH241	SHH241	SHH261	SHH271
-	Safety Guard - Left	SHH203	SHH203	SHH203	SHH203
-	Safety Guard - Right	SHH203	SHH203	SHH203	SHH203
14	Motor Clamp Kit	SHH255-ZS	SHH255-ZS	SHH260-ZS	SHH265-ZS
-	Bolt Kit	PYC140-S	PYC140-S	PYC131-S	PYC131-S
-	NOL Impeller Size (mm)	457	484	534	547

Note: NOL Impeller sizes to suit TECO Monarch GX motor. Impeller size may vary if other motors are used.



CENTRIFUGAL PUMPS

ISO STAR-LINE

Code:	MKG STD
Model:	150x125-500

No.4 SHAFT MODULE

Illus No.	Description	Material	Part no.
2	Volute Casing - Table E	Cast Iron	SKG002B
2	Volute Casing - Table E	Zinc Free Bronze	SKG052
2	Volute Casing - Table E	316SS	SKG062
3	Impeller	Cast Iron	SKG003
3	Impeller	Zinc Free Bronze	SKG053
3	Impeller	316SS	SKG063
4	Backplate - Mech Seal	Cast Iron	SKF004B
4	Backplate - Mech Seal	Zinc Free Bronze	SKF054
4	Backplate - Mech Seal	316SS	SKF064
7	Impeller Lock Washer	316SS	SHH007B
15	Extension Shaft Kit	316SS	SHH215-ZS
21	Mechanical Seal	60mm Carbon / Ceramic / Nitrile	XMS060K
21	Mechanical Seal	60mm Silicon Carbide / Silicon Carbide / Viton	XMS160
46	Impeller Nut	316SS	SHH046B
A	Impeller Key	Key Steel	432900252
A	Impeller Key	316SS	SHH323
B	Volute Casing Plug	Mild Steel - Zinc Plated	489069008
C	Discharge Drain Plug	Mild Steel - Zinc Plated	489069006
D	Casing O-ring	Nitrile Rubber	383002470
D	Casing O-ring	Viton	383007470

Optional Wear Rings

A	Wear Ring - Backplate	ZF Bronze	N/A
A	Wear Ring - Backplate	316SS	N/A
B	Wear Ring - Impeller Rear	ZF Bronze	N/A
B	Wear Ring - Impeller Rear	316SS	N/A
C	Wear Ring - Impeller Front	ZF Bronze	N/A
C	Wear Ring - Impeller Front	316SS	N/A
D	Wear Ring - Volute Casing	ZF Bronze	SKG027
D	Wear Ring - Volute Casing	316SS	SKG327

Overhaul Kits

Mechanical Seal & O-Ring Kit (Starline)	ISO4900
Mechanical Seal & O-Ring Kit (Starpro)	PRO4901

Motor (415V, 3 ph B35) * Check TAPS if Angular Contact bearings required

		4 Pole (kW)			
		75	90	110	132
-	Motor	XZM059*	XZM060*	XZM061*	XZM062*
13	Bell Housing	SHH271	SHH271	SHH281	SHH281
-	Safety Guard - Left	SHH203	SHH203	SHH203	SHH203
-	Safety Guard - Right	SHH203	SHH203	SHH203	SHH203
14	Motor Clamp Kit	SHH275-ZS	SHH275-ZS	SHH280-ZS	SHH280-ZS
-	Bolt Kit	PYC141-S	PYC141-S	PYC142-S	PYC142S
-	NOL Impeller Size (mm)	454	483	520	547
		6 Pole (kW)			
		22	30	37	
-	Motor	XZM354*	XZM355*	XZM356*	
13	Bell Housing	SHH241	SHH261	SHH271	
-	Safety Guard - Left	SHH203	SHH203	SHH203	
-	Safety Guard - Right	SHH203	SHH203	SHH203	
14	Motor Clamp Kit	SHH255-ZS	SHH260-ZS	SHH265-ZS	
-	Bolt Kit	PYC140-S	PYC141-S	PYC141-S	
-	NOL Impeller Size (mm)	456	506	547	

Note: NOL Impeller sizes to suit TECO Monarch GX motor. Impeller size may vary if other motors are used.



CENTRIFUGAL PUMPS

ISO STAR-LINE

Code:	MKG RNR
Model:	150x125-500

No.4 SHAFT MODULE

Illus No.	Description	Material	Part no.
2	Volute Casing - Table E	Cast Iron	SKG002B
2	Volute Casing - Table E	Zinc Free Bronze	SKG052
2	Volute Casing - Table E	316SS	SKG062
3	Impeller	Cast Iron	SKG003C
3	Impeller	Zinc Free Bronze	SKG053C
3	Impeller	316SS	SKG063C
4	Backplate - Mech Seal	Cast Iron	SKF004C
4	Backplate - Mech Seal	Zinc Free Bronze	SKF054C
4	Backplate - Mech Seal	316SS	SKF064C
7	Impeller Lock Washer	316SS	SHH007B
15	Extension Shaft Kit	316SS	SHH215-ZS
21	Mechanical Seal	60mm Carbon / Ceramic / Nitrile	XMS060K
21	Mechanical Seal	60mm Silicon Carbide / Silicon Carbide / Viton	XMS160
46	Impeller Nut	316SS	SHH046B
A	Impeller Key	Key Steel	432900252
A	Impeller Key	316SS	SHH323
B	Volute Casing Plug	Mild Steel - Zinc Plated	489069008
C	Discharge Drain Plug	Mild Steel - Zinc Plated	489069006
D	Casing O-ring	Nitrile Rubber	383002470
D	Casing O-ring	Viton	383007470

Optional Wear Rings

A	Wear Ring - Backplate	ZF Bronze	SHH027
A	Wear Ring - Backplate	316SS	SHH327
B	Wear Ring - Impeller Rear	ZF Bronze	SHH026
B	Wear Ring - Impeller Rear	316SS	SHH326
C	Wear Ring - Impeller Front	ZF Bronze	SKG026
C	Wear Ring - Impeller Front	316SS	SKG326
D	Wear Ring - Volute Casing	ZF Bronze	SKG027
D	Wear Ring - Volute Casing	316SS	SKG327

Overhaul Kits

Mechanical Seal & O-Ring Kit (Starline)	ISO4900
Mechanical Seal & O-Ring Kit (Starpro)	PRO4901

Motor (415V, 3 ph B35) * Check TAPS if Angular Contact bearings required

		4 Pole (kW)			
		75	90	110	132
-	Motor	XZM059*	XZM060*	XZM061*	XZM062*
13	Bell Housing	SHH271	SHH271	SHH281	SHH281
-	Safety Guard - Left	SHH203	SHH203	SHH203	SHH203
-	Safety Guard - Right	SHH203	SHH203	SHH203	SHH203
14	Motor Clamp Kit	SHH275-ZS	SHH275-ZS	SHH280-ZS	SHH280-ZS
-	Bolt Kit	PYC141-S	PYC141-S	PYC142-S	PYC142S
-	NOL Impeller Size (mm)	462	496	540	547
		6 Pole (kW)			
		22	30	37	
-	Motor	XZM354*	XZM355*	XZM356*	
13	Bell Housing	SHH241	SHH261	SHH271	
-	Safety Guard - Left	SHH203	SHH203	SHH203	
-	Safety Guard - Right	SHH203	SHH203	SHH203	
14	Motor Clamp Kit	SHH255-ZS	SHH260-ZS	SHH265-ZS	
-	Bolt Kit	PYC140-S	PYC141-S	PYC141-S	
-	NOL Impeller Size (mm)	463	521	547	

Note: NOL Impeller sizes to suit TECO Monarch GX motor. Impeller size may vary if other motors are used.



CENTRIFUGAL PUMPS

ISO STAR-LINE

Code:

MKH STD

Model:

200x150-500

No.4 SHAFT MODULE

Illus No.	Description	Material	Part no.
2	Volute Casing - Table E	Cast Iron	SKH002B
2	Volute Casing - Table E	Zinc Free Bronze	SKH052
2	Volute Casing - Table E	316SS	SKH062
3	Impeller	Cast Iron	SKH003
3	Impeller	Zinc Free Bronze	SKH053
3	Impeller	316SS	SKH063
4	Backplate - Mech Seal	Cast Iron	SKF004B
4	Backplate - Mech Seal	Zinc Free Bronze	SKF054
4	Backplate - Mech Seal	316SS	SKF064
7	Impeller Lock Washer	316SS	SHH007B
15	Extension Shaft Kit	316SS	SHH215-ZS
21	Mechanical Seal	60mm Carbon / Ceramic / Nitrile	XMS060K
21	Mechanical Seal	60mm Silicon Carbide / Silicon Carbide / Viton	XMS160
46	Impeller Nut	316SS	SHH046B
A	Impeller Key	Key Steel	432900252
A	Impeller Key	316SS	SHH323
B	Volute Casing Plug	Mild Steel - Zinc Plated	489069008
C	Discharge Drain Plug	Mild Steel - Zinc Plated	489069006
D	Casing O-ring	Nitrile Rubber	383002470
D	Casing O-ring	Viton	383007470

Optional Wear Rings

A	Wear Ring - Backplate	ZF Bronze	N/A
A	Wear Ring - Backplate	316SS	N/A
B	Wear Ring - Impeller Rear	ZF Bronze	N/A
B	Wear Ring - Impeller Rear	316SS	N/A
C	Wear Ring - Impeller Front	ZF Bronze	N/A
C	Wear Ring - Impeller Front	316SS	N/A
D	Wear Ring - Volute Casing	ZF Bronze	SHH027
D	Wear Ring - Volute Casing	316SS	SHH327

Overhaul Kits

Mechanical Seal & O-Ring Kit (Starline)	ISO4900
Mechanical Seal & O-Ring Kit (Starpro)	PRO4901

Motor (415V, 3 ph B35) * Check TAPS if Angular Contact bearings required

		4 Pole (kW)				
		90	110	132	160	200
-	Motor	XZM060*	XZM061*	XZM062*	XZM063*	XZM064*
13	Bell Housing	SHH271	SHH281	SHH281	SHH281	SHH281
-	Safety Guard - Left	SHH203	SHH203	SHH203	SHH203	SHH203
-	Safety Guard - Right	SHH203	SHH203	SHH203	SHH203	SHH203
14	Motor Clamp Kit	SHH275-ZS	SHH280-ZS	SHH280-ZS	SHH280-ZS	SHH281-ZS
-	Bolt Kit	PYC141-S	PYC142-S	PYC142-S	PYC142-S	PYC142-S
-	NOL Impeller Size (mm)	433	464	491	521	547
		6 Pole (kW)				
		30	37	45	55	
-	Motor	XZM355*	XZM356*	XZM357*	XZM358*	
13	Bell Housing	SHH261	SHH271	SHH271	SHH271	
-	Safety Guard - Left	SHH203	SHH203	SHH203	SHH203	
-	Safety Guard - Right	SHH203	SHH203	SHH203	SHH203	
14	Motor Clamp Kit	SHH260-ZS	SHH265-ZS	SHH275-ZS	SHH275-ZS	
-	Bolt Kit	PYC141-S	PYC141-S	PYC141-S	PYC141-S	
-	NOL Impeller Size (mm)	453	485	511	547	

Note: NOL Impeller sizes to suit TECO Monarch GX motor. Impeller size may vary if other motors are used.



**CENTRIFUGAL PUMPS****ISO STAR-LINE**

Code:

MKH RNR

Model:

200x150-500**No.4 SHAFT MODULE**

Illus No.	Description	Material	Part no.
2	Volute Casing - Table E	Cast Iron	SKH002B
2	Volute Casing - Table E	Zinc Free Bronze	SKH052
2	Volute Casing - Table E	316SS	SKH062
3	Impeller	Cast Iron	SKH003C
3	Impeller	Zinc Free Bronze	SKH053C
3	Impeller	316SS	SKH063C
4	Backplate - Mech Seal	Cast Iron	SKF004C
4	Backplate - Mech Seal	Zinc Free Bronze	SKF054C
4	Backplate - Mech Seal	316SS	SKF064C
7	Impeller Lock Washer	316SS	SHH007B
15	Extension Shaft Kit	316SS	SHH215-ZS
21	Mechanical Seal	60mm Carbon / Ceramic / Nitrile	XMS060K
21	Mechanical Seal	60mm Silicon Carbide / Silicon Carbide / Viton	XMS160
46	Impeller Nut	316SS	SHH046B
A	Impeller Key	Key Steel	432900252
A	Impeller Key	316SS	SHH323
B	Volute Casing Plug	Mild Steel - Zinc Plated	489069008
C	Discharge Drain Plug	Mild Steel - Zinc Plated	489069006
D	Casing O-ring	Nitrile Rubber	383002470
D	Casing O-ring	Viton	383007470

Optional Wear Rings

A	Wear Ring - Backplate	ZF Bronze	SHH027
A	Wear Ring - Backplate	316SS	SHH327
B	Wear Ring - Impeller Rear	ZF Bronze	SHH026
B	Wear Ring - Impeller Rear	316SS	SHH326
C	Wear Ring - Impeller Front	ZF Bronze	SHH026
C	Wear Ring - Impeller Front	316SS	SHH326
D	Wear Ring - Volute Casing	ZF Bronze	SHH027
D	Wear Ring - Volute Casing	316SS	SHH327

Overhaul Kits

Mechanical Seal & O-Ring Kit (Starline)	ISO4900
Mechanical Seal & O-Ring Kit (Starpro)	PRO4901

Motor (415V, 3 ph B35) * Check TAPS if Angular Contact bearings required

		4 Pole (kW)				
		90	110	132	160	200
-	Motor	XZM060*	XZM061*	XZM062*	XZM063*	XZM064*
13	Bell Housing	SHH271	SHH281	SHH281	SHH281	SHH281
-	Safety Guard - Left	SHH203	SHH203	SHH203	SHH203	SHH203
-	Safety Guard - Right	SHH203	SHH203	SHH203	SHH203	SHH203
14	Motor Clamp Kit	SHH275-ZS	SHH280-ZS	SHH280-ZS	SHH280-ZS	SHH281-ZS
-	Bolt Kit	PYC141-S	PYC142-S	PYC142-S	PYC142-S	PYC142-S
-	NOL Impeller Size (mm)	447	476	504	535	547
		6 Pole (kW)				
		30	37	45	55	
-	Motor	XZM355*	XZM356*	XZM357*	XZM358*	
13	Bell Housing	SHH261	SHH271	SHH271	SHH271	
-	Safety Guard - Left	SHH203	SHH203	SHH203	SHH203	
-	Safety Guard - Right	SHH203	SHH203	SHH203	SHH203	
14	Motor Clamp Kit	SHH260-ZS	SHH265-ZS	SHH275-ZS	SHH275-ZS	
-	Bolt Kit	PYC141-S	PYC141-S	PYC141-S	PYC141-S	
-	NOL Impeller Size (mm)	464	492	524	547	

Note: NOL Impeller sizes to suit TECO Monarch GX motor. Impeller size may vary if other motors are used.