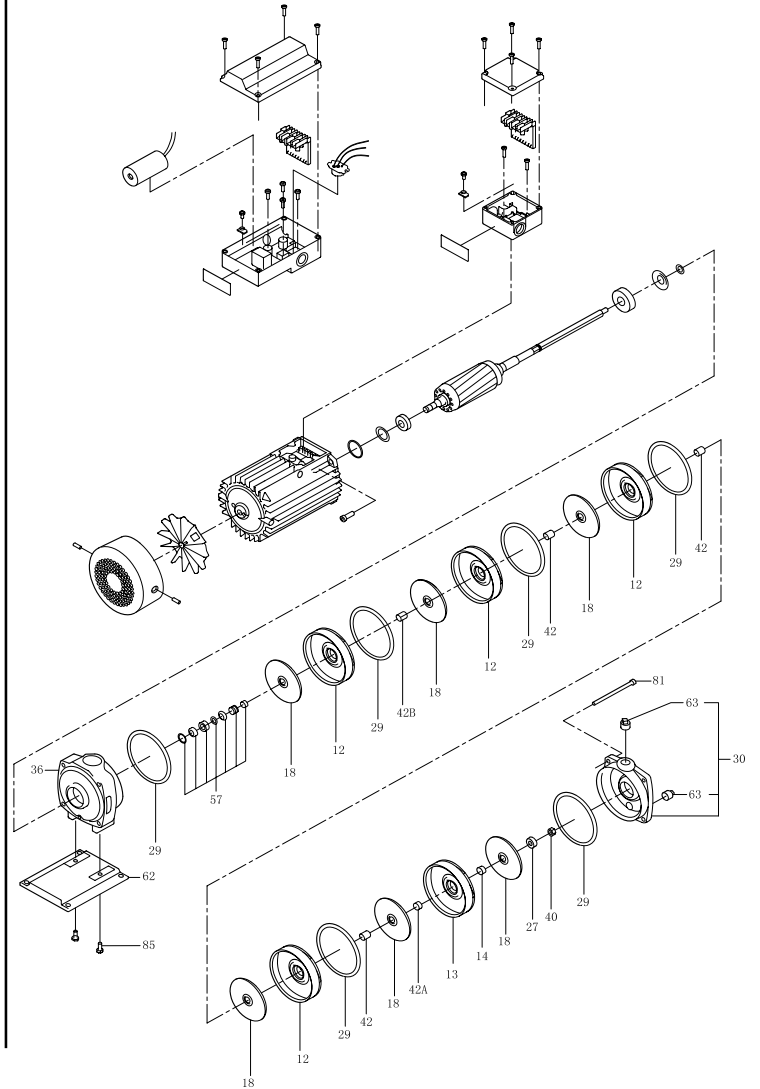
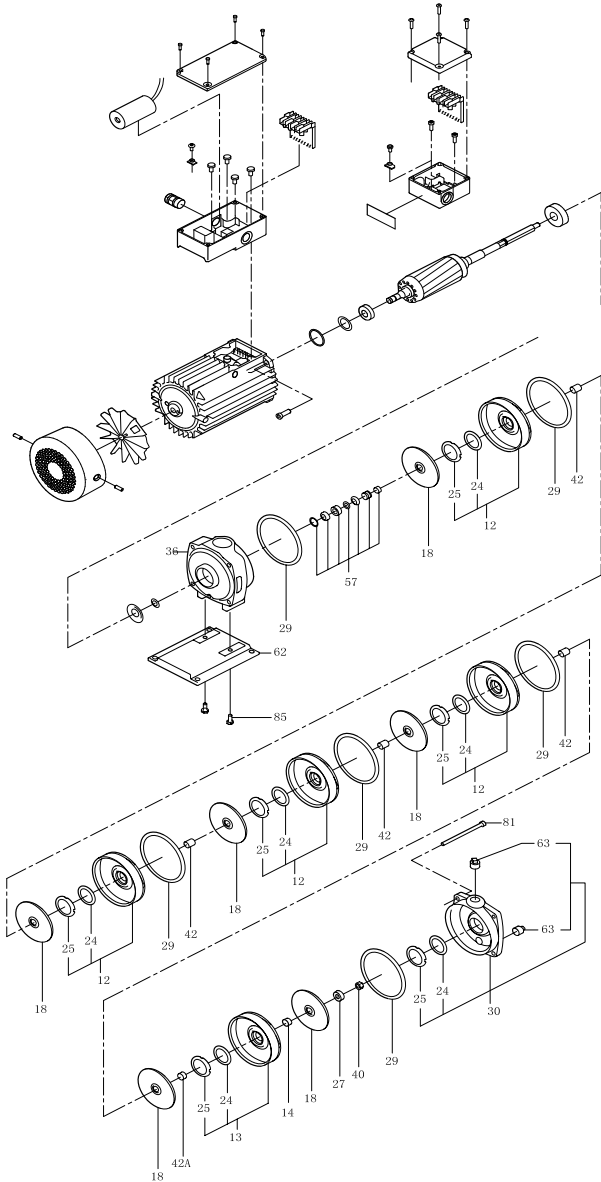




# CBI-2/4 PRESSURE UNIT & TRANSFER PUMPS



# CBI-2/4

## PRESSURE UNIT & TRANSFER PUMPS

**CBI 2/4 MECHANICAL SEAL KIT**

(Code CBI2-K1) \*for pumps up to Serial No. 075998560  
 (Code CBI2-K1B) \*for pumps above Serial No. 084390000

ILLUS NO.	DESCRIPTION	QTY
57	Mechanical Seal	1
40	Impeller Nut	1
27	Impeller Washer	1
29	Gasket	6

**OVERLOAD SWITCHES**

MOTOR	FOR PUMP MODEL	QTY	KIT CODE
0.75kW	CBI 4-50	1	2238513
1.1kW	CBI 4-60	1	2238514

**CAPACITOR KITS**

CAPACITOR	FOR PUMP MODEL	QTY	KIT CODE
0.37kW - 10µ	CBI 2-20/30/40 & CBI 4-20/30	1	CBI-CAP10
0.55kW - 16µ	CBI 2-50/60 & CBI4-40	1	CBI-CAP16
0.75 - 25µ	CBI 4-50	1	CBI-CAP25
1.1kW - 25µ	CBI 4-60	1	CBI-CAP25A

**CBI 2 IMPELLER KIT Code CBI2-K2**

ILLUS NO.	DESCRIPTION	QTY
18	Impeller	1
29	Gasket	1

**CBI 4 IMPELLER KIT Code CBI4-K2**

ILLUS NO.	DESCRIPTION	QTY
18	Impeller	1
29	Gasket	1

**CBI 2 BEARING/SPACER KIT Code CBI2-K3**

ILLUS NO.	DESCRIPTION	QTY
14	Bearing	1
42A	Bearing Spacer (4.5mm)	1
42	Impeller Spacer (17.5mm)	4

**CBI 4 BEARING/SPACER KIT Code CBI4-K3**

ILLUS NO.	DESCRIPTION	QTY
14	Bearing	1
42A	Bearing Spacer (13mm)	1
42	Impeller Spacer (26mm)	3
42B	Discharge Impeller Spacer (28.5mm)	1

**CBI 2 BASIC DIFFUSER KIT**

Code CBI2-K4

ILLUS NO.	DESCRIPTION	QTY
13	Diffuser with Bearing	1
12	Diffuser	1
29	Gasket	2

**CBI 4 BASIC DIFFUSER KIT**

Code CBI4-K4

ILLUS NO.	DESCRIPTION	QTY
13	Diffuser with Bearing	1
12	Diffuser	1
29	Gasket	2

**CBI 2 INTERMEDIATE DIFFUSER KIT**

Code CBI2-K5

ILLUS NO.	DESCRIPTION	QTY
12	Diffuser	1
29	Gasket	1

**CBI 4 INTERMEDIATE DIFFUSER KIT**

Code CBI4-K5

ILLUS NO.	DESCRIPTION	QTY
12	Diffuser	1
29	Gasket	1